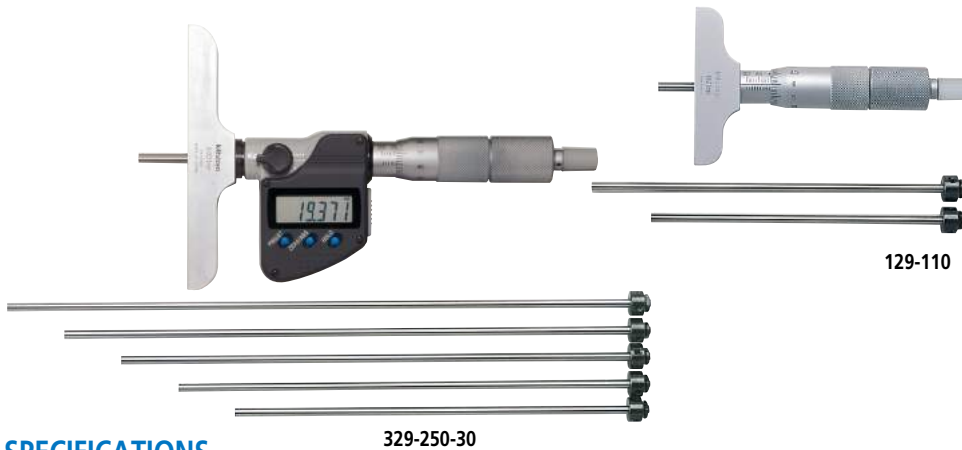


Depth Gage

A standard measuring tool of industry

Depth Micrometer SERIES 329, 129 — Interchangeable Rod Type

- This type uses interchangeable rods to enable wide-range measurement.
- **Order Nos. 329-250-30, 329-251-30, 329-350-30, and 329-351-30** allow integration into statistical process control and measurement systems.
- Measuring rod diameter: $\varnothing 4\text{mm}$
- Measuring rod lock.
- Ratchet stop provides constant measuring force.



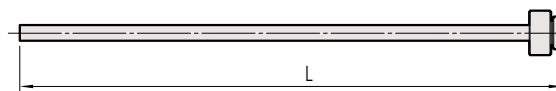
SPECIFICATIONS

Metric					Inch/Metric				
Order No.	Range	Resolution	Base	No. of rods	Order No.	Range	Resolution	Base	No. of rods
Digimatic (LCD)					Digimatic (LCD)				
329-250-30	0 - 150mm	0.001mm	101.6 x 16mm	6	329-350-30	0 - 6"	.00005"/0.001mm	4" x .63"	6
329-251-30	0 - 300mm			12	329-351-30	0 - 12"			.0001"/0.001mm

Metric					Inch				
Order No.	Range	Graduation	Base	No. of rods	Order No.	Range	Graduation	Base	No. of rods
Analog					Analog				
129-154	0 - 25mm	.01mm	63.5 x 16mm	1	129-129	0 - 2"	.001"	4" x .63"	2
129-155			101.6 x 16mm		2.5" x .63"	3			
129-109	0 - 50mm	.01mm	63.5 x 16mm	2	129-126	0 - 3"	.001"	4" x .63"	3
129-113			101.6 x 16mm						
129-110	0 - 75mm	.01mm	63.5 x 16mm	3	129-127	0 - 4"	.001"	2.5" x .63"	4
129-114			101.6 x 16mm						
129-111	0 - 100mm	.01mm	63.5 x 16mm	4	129-131	0 - 6"	.001"	4" x .63"	6
129-115			101.6 x 16mm						
129-112	0 - 150mm	.01mm	63.5 x 16mm	6	129-128	0 - 6"	.001"	2.5" x .63"	6
129-116			101.6 x 16mm						
129-152	0 - 300mm	.01mm	63.5 x 16mm	12	129-149	0 - 12"	.001"	2.5" x .63"	12
129-153			101.6 x 16mm						

* For the function of Digimatic models 329-250-30, 329-251-30, 329-350-30, and 329-351-30, refer to page D-62. These models are not waterproof.

Interchangeable rod (Optional Accessories) (Check and adjust the origin point before measurement)



Unit: mm

Range	0 - 25mm	25 - 50mm	50 - 75mm	75 - 100mm	100 - 125mm	125 - 150mm	150 - 175mm	175 - 200mm	200 - 225mm	225 - 250mm	250 - 275mm	275 - 300mm	
Analog models	Order No.	983501	983503	983505	983507	983509	983511	983525	983527	983529	983531	983533	983535
	L	104mm	129mm	154mm	179mm	204mm	229mm	254mm	279mm	304mm	329mm	354mm	379mm
Digimatic models	Order No.	983505	983507	983509	983511	983525	983527	983529	983531	983533	983535	981781	981782
	L	154mm	179mm	204mm	229mm	254mm	279mm	304mm	329mm	354mm	379mm	404mm	429mm

Range	0 - 1"	1 - 2"	2 - 3"	3 - 4"	4 - 5"	5 - 6"	6 - 7"	7 - 8"	8 - 9"	9 - 10"	10 - 11"	11 - 12"	
Analog models	Order No.	983502	983504	983506	983508	983510	983512	983526	983528	983530	983532	983534	983536
	L	104.3mm	129.7mm	155.1mm	180.5mm	205.9mm	231.3mm	256.7mm	282.1mm	307.5mm	332.9mm	358.3mm	383.7mm
Digimatic models	Order No.	983506	983508	983510	983512	983526	983528	983530	983532	983534	983536	981783	981784
	L	155.1mm	180.5mm	205.9mm	231.3mm	256.7mm	282.1mm	307.5mm	332.9mm	358.3mm	383.7mm	409.1mm	434.5mm

Technical Data

Accuracy:
 $\pm 3\mu\text{m}/\pm 0.00015"$ for micrometer head
 (Excluding quantizing error)
 Flatness of reference face:
 $1.3\mu\text{m}$ (.00005") for 63.5mm (2.5") length base,
 $2\mu\text{m}$ (.00008") for 101.6mm (4") length base
 Flatness of measuring rod face: 0.3 μm
 Parallelism between reference face and measuring rod face:
 $(4+R/50)\mu\text{m}$, R = Max. measuring length (mm)
 Fraction rounded up
 $\pm(2+R/75)\mu\text{m}$ for interchangeable rod,
 R = Max. range (mm)
 Fraction rounded up
 Battery: **SR44** (1 pc), **938882**,
 for initial operational checks (standard accessory)
 Battery life*: Approx. 2.4 years under normal use
 * Digital models
 Scale type: Electromagnetic induction absolute encoder



Optional accessories for 329-250-30, 329-251-30, 329-350-30, and 329-351-30.

For details, refer to page A-21.
 Connection cable for 329-250-30, 329-251-30, 329-350-30, and 329-351-30
05CZA662: SPC cable with data button (1m)
05CZA663: SPC cable with data button (2m)
USB Input Tool Direct
06ADV380B: SPC cable for **USB-ITN-B** (2m)
 Connection cables for U-WAVE-T
02AZD790B: SPC cable for **U-WAVE** with data button (160mm)
02AZE140B: SPC cable for footswitch

Functions of 329-250-30, 329-251-30, 329-350-30, and 329-351-30

ORIGIN set: Resets the ABS (absolute) origin at the current position. (ABS measurement system)

ZERO set: The display is set to zero at the current position for incremental (comparative) mode measurements. Absolute system measurement mode can easily be restored when required.

Preset: Enters a specified value into the display at the current position.

Hold: The displayed value is temporarily held at the current value so that the instrument can be moved before the display is read. Useful for making measurements in difficult-to-access.

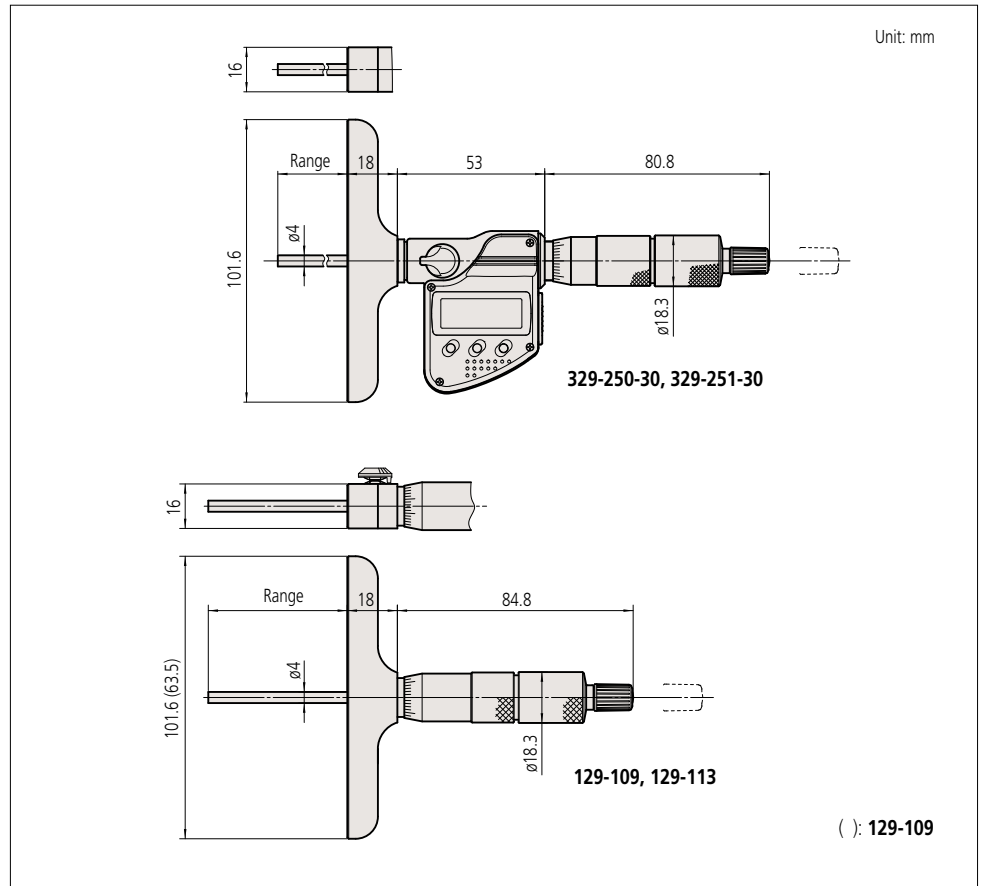
Measurement data output: Equipped with a Digimatic data output port to incorporate instrument into an SPC or networked measurement system.

Auto-power ON/OFF: If the instrument is not used for approximately 20 minutes, the display turns off while keeping the current origin of the ABS measurement system. The display is restored when the spindle is rotated.

Error alarm: If overflow of the display or a calculation error occurs, the measurement function stops and a message is displayed. Measurement will not be continued so as to avoid an erroneous display value. Warning light indicates low battery.

Function lock: PRESET (origin set) and ZERO (zero set) buttons can be locked in order to prevent them being changed unintentionally.

DIMENSIONS

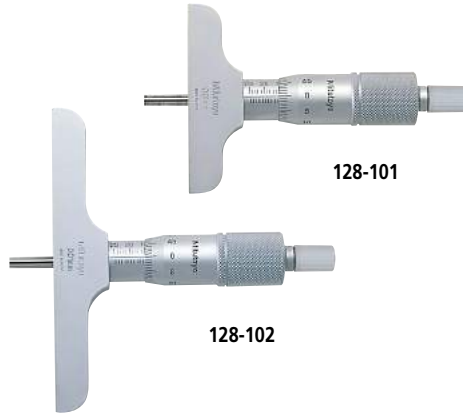


Depth Gage

A standard measuring tool of industry

Depth Micrometer SERIES 128

- Measuring rod diameter: $\varnothing 4\text{mm}$
- Measuring rod lock is attached.
- *Measuring rod is attached on the rear side of the micrometer.
- Carbide-tipped measuring rod model is available.
- Ratchet stop provides constant measuring force.



SPECIFICATIONS

Metric			
Order No.	Range	Graduation	Base
128-101	0 - 25mm	0.01mm	63.5 x 16mm
128-103*1			
128-102			101.6 x 16mm
128-104*1			

Inch			
Order No.	Range	Graduation	Base
128-105	0 - 1"	.001"	2.5" x .63"
128-106			4" x .63"

*1 with carbide-tipped measuring rod

Depth Micro Checker SERIES 515

- The Depth Micro Checker is designed to check and help set the range-end points of a depth micrometer.

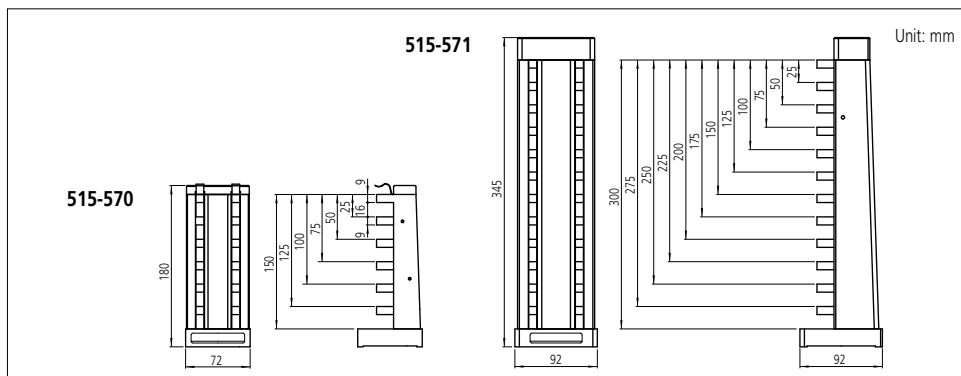


SPECIFICATIONS

Metric			
Order No.	Range	Block pitch accuracy	Anvil block accuracy
515-570	0 - 150mm	$\pm(1+L/150)\mu\text{m}$, L = Length to check (mm)	$\pm 0.5\mu\text{m}$
515-571	0 - 300mm		

Inch			
Order No.	Range	Block pitch accuracy	Anvil block accuracy
515-575	0 - 6"	$\pm(40+L/0.15)$ μinch , L = Length to check (inch)	40 μinch

DIMENSIONS

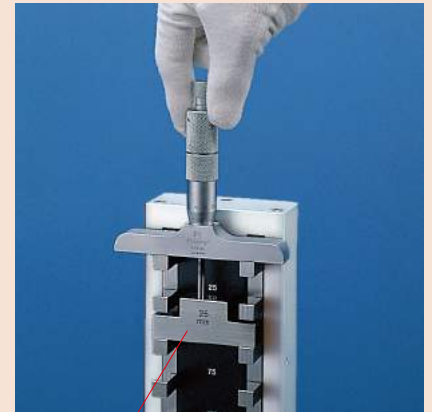


Technical Data

Accuracy: $\pm 3\mu\text{m}$ ($\pm 0.00015"$)
 Flatness of reference face:
 1.3 μm (.00005") for 63.5mm (2.5") length base,
 2 μm (.00008") for 101.6mm (4") length base
 Flatness of measuring spindle face: 0.3 μm



An inspection certificate is supplied as standard. Refer to page X for details.



A 25mm anvil block provides the reference surface for the depth micrometer rod