

---

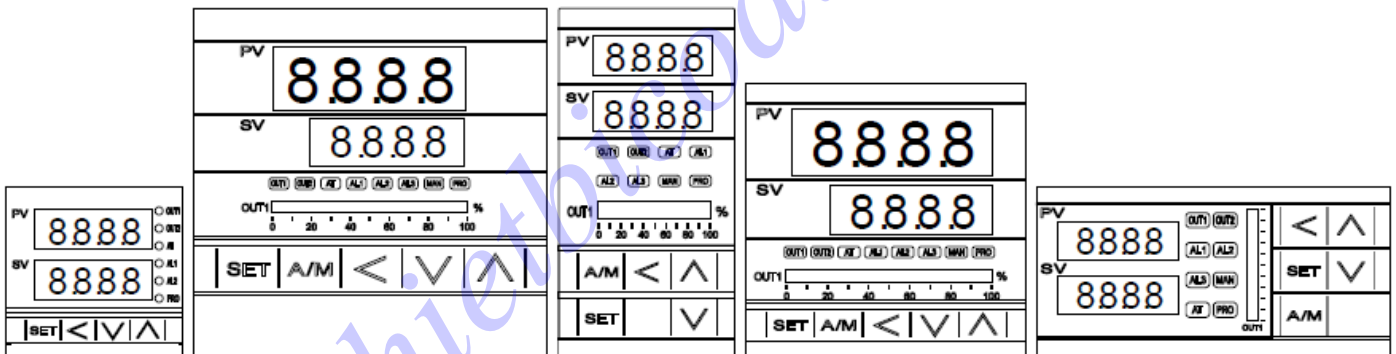
Digital PID Temperature Controllers

Model: WT404/904/707/409/909

Ver 1.3

---

**Operation Manual**



## Preface

---

Thank you for purchasing the Shihlin Electric WT series digital temperature controllers.

This User's Manual contains instructions for mounting, functions, operations and notes when operating the WT series digital temperature controllers.

To prevent accidents arising from the misuse of this controller, please ensure the operator receives this manual.

## Notes


---


- This instrument should be used in accordance with the specifications described in the manual. If it is not used according to the specifications, it may malfunction or cause a fire.
- Be sure to follow the warnings, cautions and notices. If they are not observed, serious injury or malfunction may occur.
- The contents of this instruction manual are subject to change without notice.
- Care has been taken to ensure that the contents of this instruction manual are correct, but if there are any doubts, mistakes or questions, please inform our company.
- Measures must be taken to ensure that the operator cannot touch power terminals or other high voltage sections.
- Any unauthorized transfer or copying of this document, in part or in whole, is prohibited.
- Shihlin Electric is not liable for any damage or secondary damage(s) incurred as a result of using this product, including any indirect damage.

### Copyright and Trademark

Shihlin Electric owns the copyright of this manual.

- Reproduction of this manual without express permission from Shihlin Electric is prohibited.
- Modbus protocol is a communication protocol that Modicon Inc. Developed for PLC and Modbus is a registered trademark of Schneider Electric.
- Other company names and the product names are the trademarks or registered trademarks of each company.

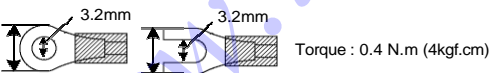
 **WARNING** : This mark indicates precautions that must be taken if there is danger of electric shock, fire, etc., which could result in loss of life or injury.

 **CAUTION** : This mark indicates that if these precautions and operating procedures are not taken, damage to the instrument may result.

### **WARNING**

- An external protection device must be installed if failure of this instrument could result in damage to the instrument, equipment or injury to personnel.
  - All wiring must be completed before power is turned on to prevent electric shock, fire or damage to instrument and equipment.
  - This instrument must be used in accordance with the specifications to prevent fire or damage to instrument and equipment.
  - This instrument is not intended for use in locations subject to flammable or explosive gases.
  - Do not touch high-voltage connections such as power supply terminals, etc. to avoid electric shock.
  - Shihlin Electric is not responsible if this instrument is repaired, modified or disassembled by other than factory-approved personnel.
- Malfuction can occur and warranty is void under these conditions.

## CAUTION

- This product is intended for use with industrial machines, test and measuring equipment. It is not designed for use with medical equipment and nuclear energy.
- This is a Class A instrument. In a domestic environment, this instrument may cause radio interference, in which case the user may be required to take additional measures.
- This instrument is protected from electric shock by reinforced insulation.  
Provide reinforced insulation between the wire for the input signal and the wires for instrument power supply, source of power and loads.
- This instrument is designed for installation in an enclosed instrumentation panel. All high-voltage connections such as power supply terminals must be enclosed in the instrumentation panel to avoid electric shock by operating personnel.
- All precautions described in this manual should be taken to avoid damage to the instrument or equipment.
- All wiring must be completed before power is turned on to prevent electric shock, instrument failure, or incorrect action.
- The power must be turned off before repairing work for input break and output failure including replacement of sensor, contactor or SSR, and all wiring must be completed before power is turned on again.
- Prevent metal fragments or lead wire scraps from falling inside instrument case to avoid electric shock, fire or malfunction.
- Please use crimp terminals suitable for M3 screws, as shown below:  
  
Torque : 0.4 N.m (4kgf.cm)
- Tighten each terminal screw to the specified torque found in the manual to avoid electric shock, fire or malfunction.
- When the thermocouple wiring is extended, please use the compensation lead of the corresponding type to this thermocouple.

# Content

1. Order Information .....	7
2. Specifications .....	8
3. Input Range Table.....	9
4. Packing List & Label Information .....	9
4.1 Packing List Guide .....	9
4.2 Label Guide .....	10
4.2.1 WT404 .....	10
4.2.2 WT707 .....	10
4.2.3 WT904/409/909 .....	11
5. Parts Description .....	12
6. Installation .....	13
6.1 WT404 Dimensions .....	13
6.2 WT904 Dimensions .....	13
6.3 WT707 Dimensions .....	13
6.4 WT409 Dimensions .....	14
6.5 WT909 Dimensions .....	14
7. Terminal Arrangement .....	15
7.1 WT404 Terminal Arrangement .....	15
7.2 WT904 Terminal Arrangement .....	16
7.3 WT707 Terminal Arrangement .....	17
7.4 WT409 Terminal Arrangement .....	18
7.5 WT909 Terminal Arrangement .....	19
8. Basic Function Setting.....	20
8.1 Change Input Type .....	20
8.2 SV Setting .....	20
8.3 RUN/STOP Mode Selection.....	20
8.4 Setting PID Value Automatically(Auto-tuning) .....	20
8.5 Setting PID Value Manually .....	21
8.6 Controlling With ON/OFF Action .....	21
8.7 Alarm Mode Setting .....	21
8.8 Alarm Value Setting .....	22
8.9 Controlling With Manual Control .....	22
9. Flow Chart Of Parameter Setting.....	23
9.1 Parameter Structure .....	23
9.2 Level Operation Mode .....	24
9.3 Level Operation Diagram.....	24
9.4 Data Lock Function.....	25
9.5 Level 1 (User Level) All Parameters Display .....	25
9.6 LEVEL_1 Parameter.....	26
9.7 Level 2 (PID Level) All Parameters Display.....	28
9.8 LEVEL_2 Parameter.....	29
9.9 Level 3 (Input Level) All Parameters Display.....	31

9.10	LEVEL_3 Parameter.....	32
9.11	Level 4 (Setting Level) All Parameters Display.....	34
9.12	LEVEL_4 Parameter.....	35
9.13	Level 5 (Quality Control) All Parameters Display.....	37
9.14	LEVEL_5 Parameter.....	38
9.15	Fast Parameter Access.....	41
9.16	Fast Level Parameter .....	42
10.	Parameters Hide/Display Table On Level 4.....	44
11.	Functional Descriptions .....	46
11.1	Input Calibration.....	46
11.2	Retransmission .....	47
11.3	Remote SV .....	49
11.4	Heater Break Alarm.....	51
11.5	A/M Key .....	53
11.6	Digital Input.....	55
11.7	Dehumidification Function.....	59
11.8	24-Hour Timer.....	60
11.9	Motor Valve Control.....	62
11.10	Piece Linear Compensation .....	65
11.11	RAMP & SOAK .....	68
11.12	Password.....	71
11.13	Proportional Control.....	72
11.14	Master-Slave Communication .....	73
12.	Alarm Action .....	74
12.1	Alarm Mode .....	76
12.2	Alarm Special Setting .....	79
12.3	Alarm Example .....	80
13.	Programmable.....	81
13.1	Parameter Setting.....	81
13.2	Key Operation Description .....	82
13.3	Program Initial Setting .....	82
13.4	Create Program.....	84
13.5	Program Execution Flow.....	86
13.6	Program Setting Example.....	86
14.	Modification Of Output Module .....	87
14.1	Relay Control (1a).....	87
14.2	Relay Control (1c).....	87
14.3	SSR Control .....	87
14.4	Linear Control.....	87
14.5	Output Calibration Procedure Diagram .....	88
14.6	Output Calibration Steps.....	89
15.	Modification Of Input Signal.....	90
15.1	Input Modify To Thermocouple.....	90

15.2	Input Modify To RTD.....	90
15.3	Input Modify To Linear (4~20mA) .....	91
15.4	Steps For Input Calibration .....	92
16.	Zero / Phase Control .....	93
16.1	1 $\phi$ Zero Cross Control (SCR module) .....	93
16.2	1 $\phi$ Zero Cross Control (TRIAC module) .....	93
16.3	3 $\phi$ Zero Cross Control (SCR module) .....	94
16.4	3 $\phi$ Zero Cross Control (TRIAC module) .....	94
16.5	1 $\phi$ Phase Angle Control (SCR module).....	95
16.6	1 $\phi$ Phase Angle Control (TRIAC module).....	95
17.	Error Message.....	96
18.	WT Communication Register Address Table.....	96
19.	FY Communication Register Address Table.....	98
20.	Program Design Table .....	99
21.	Glossary Of Characters Used In This Manual.....	101
22.	WT Parameter Abbreviation Descriptions .....	102

[www.thietbico Dien.com.vn](http://www.thietbico Dien.com.vn)

# 1. Order Information

Model	Output 1	Output 2	Alarm	TRS	Remote	COMM	Input type	Power	Accessories
	1	0	1	0	0	0	0 1	A	N
	0 None	0 None	0 None	0 None	0 None	0 None	See input Range type code	A AC 85~265V	N None
WT404 48x48mm	1 Relay	1 Relay	1 1 Set	1 4~20mA	1 4~20mA	3 TTL		D DC 24V	A Standard
WT904 96x48mm	2 Voltage Pulse (SSR Drive)	2 Voltage Pulse (SSR Drive)	2 2 Sets	2 0~20mA	2 0~20mA	B RS-485(FY)			B Programmable
WT707 72x72mm	3 4~20mA	3 4~20mA	3 3 Sets	A 0~5V	A 0~5V	C RS-485(WT)			
WT409 48x96mm	4 0~20mA	4 0~20mA		B 0~10V	B 0~10V				
WT909 96x96mm	A 0~5V	A 0~5V		C 1~5V	C 1~5V				
	B 0~10V	B 0~10V	A HBA	D 2~10V	D 2~10V				
	C 1~5V	C 1~5V	B HBA+AL2		E DI				
	D 2~10V	D 2~10V	C HBA+AL2+AL3		F Remote + DI				
	5 1φSCR zero cross control				M Motor valve control feedback				
	6 3φSCR zero cross control				J PT(Second Input)				
	7 Motor valve control				K TC(Second Input)				
	8 1φSCR phase angle control				L Linear(Second Input)				

※ Block means optional functions with additional charge  
 ※ HBA : Heater Break Alarm(HBA must use AL1 as alarm relay)  
 ※ The Second Input FY600/800/900 only

※      Boxed-in items are optional functions, which shall incur extra charges



## 2. Specifications

Model		WT404	WT904	WT707	WT409	WT909
Supply Voltage		AC 85 ~ 265V, DC 24V (Optional Functions)				
Power Frequency		50/60 Hz				
Power Consumption		Approximately 6VA				
Memory		Non-Volatile Memory EEPROM				
Sensor Input ※ Please refer to Input Range Table		Cold junction compensation diode external Accuracy : 0.1%				
		Cold junction compensation diode internal Accuracy : 0.3%				
		Sample time : 50ms				
		Thermocouple : (K, J, R, S, B, E, N, T, W, PL II, L)				
		RTD: PT100				
		DC Linear Analog Input: 0~20mA, 4~20mA 0~1V, 0~5V, 0~10V, 0~2V, 1~5V, 2~10V 0~25mV, 0~50mV, 0~70mV				
Output	OUT1 Relay	1a	1c	1c	1c	1c
		1a SPST-NO, 250 VAC, 5A (resistive load), electrical life: 100,000 operations 1c SPDT-NO, 250 VAC, 5A (resistive load), electrical life: 50,000 operations SPDT-NC, 250 VAC, 2A (resistive load), electrical life: 20,000 operations				
	OUT2 Relay	SPST-NO, 250 VAC, 5A (resistive load), electrical life: 100,000 operations				
	SSR Driver	ON: 24 V OFF: 0V max. load current: 20mA, with short circuit protection circuit				
	linear	4~20mA, 0~20mA, 0~5V, 0~10V, 1~5V, 2~10V				
Control Method		ON-OFF or P, PI, PID control				
Alarm	Alarm 1	1a	1c	1a	1c	1c
		1a SPST-NO, 250 VAC, 5A (resistive load), electrical life: 100,000 operations 1c SPDT-NO, 250 VAC, 5A (resistive load), electrical life: 50,000 operations SPDT-NC, 250 VAC, 2A (resistive load), electrical life: 20,000 operations				
	Alarm 2	SPST-NO, 250 VAC, 5A (resistive load), electrical life: 100,000 operations				
	Alarm 3	---	1a	1a	1a	1a
		SPST-NO, 250 VAC, 5A (resistive load), electrical life: 100,000 operations				
TRS	Re-transmitted Signal	4~20mA, 0~20mA, 0~5V, 0~10V, 1~5V, 2~10V				
	Source of Re-transmission	SV1, PV1, MV1, SV1R, PV1R, MV1R, SV2, PV2, MV2, SV2R, PV2R, MV2R				
	Accuracy	0.1%				
	Resolution	14bit				
Remote SV	Signal	4~20mA, 0~20mA, 0~5V, 0~10V, 1~5V, 2~10V				
	Resolution	18 bit				
	Controlled by	SV				
Digital Input		2 points				
Communication	Interface	RS-485 Half duplex Communication MAX. 31 units, MAX. distance 1200 meters				
	Protocol	Modbus RTU, Shihlin Electric				
	Parity bit	NONE, ODD, Even				
	Data bit	8 bit				
	Stop bit	1 or 2 bit				
	Baud rate	2400,4800,9600,19200,38400,57600,115200 bps				
	Interval time	0~250ms				
Malfunction vibration		10~55 Hz 20m / s <sup>2</sup> , for 10 min each in X, Y and Z directions.				
Vibration resistance		10~55 Hz 20m / s <sup>2</sup> , for 2 hr each in X, Y and Z directions.				
Malfunction shock		100m / s <sup>2</sup> , 3 times each in X, Y and Z directions.				
Shock resistance		300m / s <sup>2</sup> , 3 times each in X, Y and Z directions.				
Operating Environment Temperature/Humidity		0 ~ 50°C (in the case of no freezing or condensation) / 20% ~ 90% RH				
Storage Environment Temperature		-25 ~ 65°C (in the case of no freezing or condensation)				
Dimension (mm)		W48 x H48 x D95	W96 x H48 x D95	W72 x H72 x D95	W48 x H96 x D95	W96 x H96 x D95
Weight		Appox.120g	Appox.170g	Appox.150g	Appox.170g	Appox.230g

### 3. Input Range Table

Types of input			Code	Range	
				°C	°F
Thermocouple	K	K1	01	-50.0~600.0	-58.0~999.9
		K2	02	-50~1200	-58~2192
	J	J1	03	-50.0~400.0	-58.0~752.0
		J2	04	-50~1200	-58~2192
	R	R	05	-50~1760	-58~3200
	S	S	06	-50~1760	-58~3200
	B	B	07	-50~1820	-58~3308
	E	E	08	-50~900	-58~1652
	N	N	09	-50~1300	-58~2372
	T	T1	10	-199.9~400.0	-199.9~752.0
		T2	11	-199~400	-326~752
	W	W	12	-50~2320	-58~4208
	PL	PL	13	-50~1200	-58~2192
	L	L	14	-50~800	-58~1472
RTD	PT100	PT1	15	-199.9~850.0	-199.9~999.9
		PT2	16	-199~850	-326~1562
		PT3	17	0~850	32~1562
Linear	AN1	0~25mV	18		
	AN2	0~50mV	19		
		0~20mA	20		
		0~1V	21		
		0~2V	22		
		0~5V	23		
		0~10V	24		
	AN3	0~70mV	25		
	AN4	4~20mA	26		
		10~50mV	27		
		1~5V	28		
		2~10V	29		

### 4. Packing List & Label Information

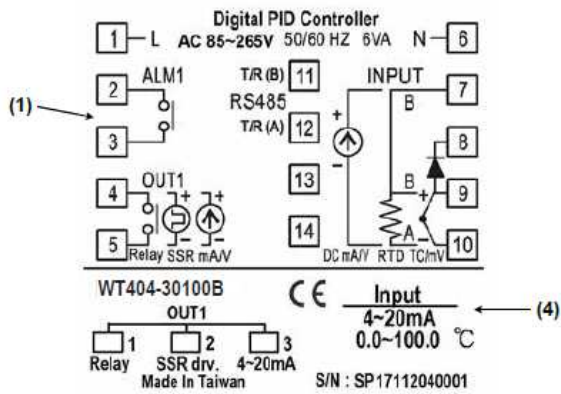
#### 4.1 Packing List Guide

WT404/904/707/409/909

- |  |
|--|
| <ol style="list-style-type: none"> <li>1. Temperature Controller...1 unit</li> <li>2. Mounting frame .....2 units</li> <li>3. Brief manual..... 1 pcs</li> </ol> |
|--|

## 4.2 Label Guide

### 4.2.1 WT404

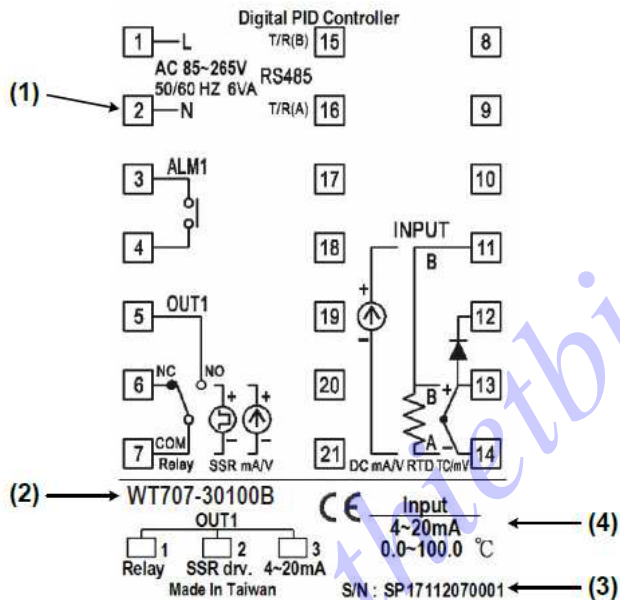


- (2) → WT404-30100B  
 (3) → S/N: SP17112040001

**LN:1**

No.	Item	Description
(1)	Terminal arrangement	WT404 Terminal Wiring Diagram
(2)	Model number	WT404 model name
(3)	Serial number	SP20021140001
(4)	Input type	Controller Input Signal and Range

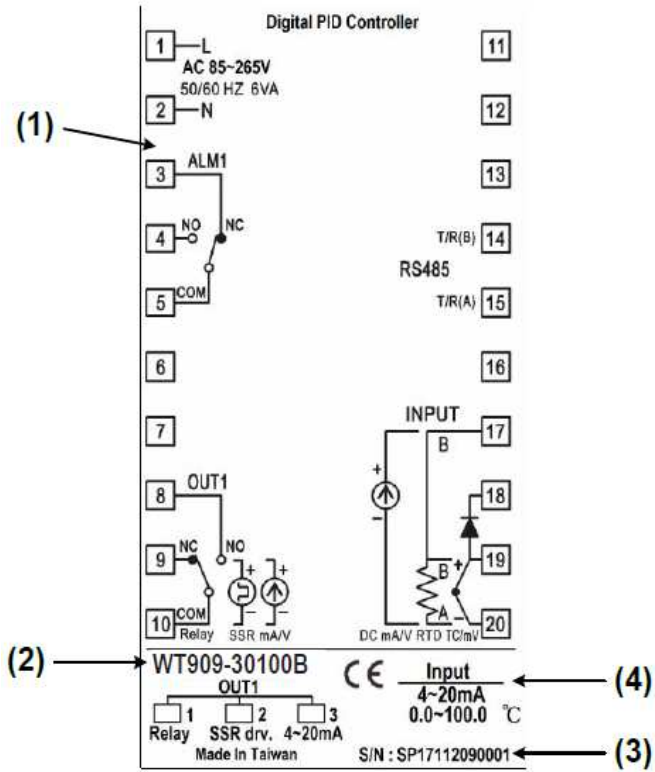
### 4.2.2 WT707



- (2) → WT707-30100B  
 (3) → S/N: SP17112070001

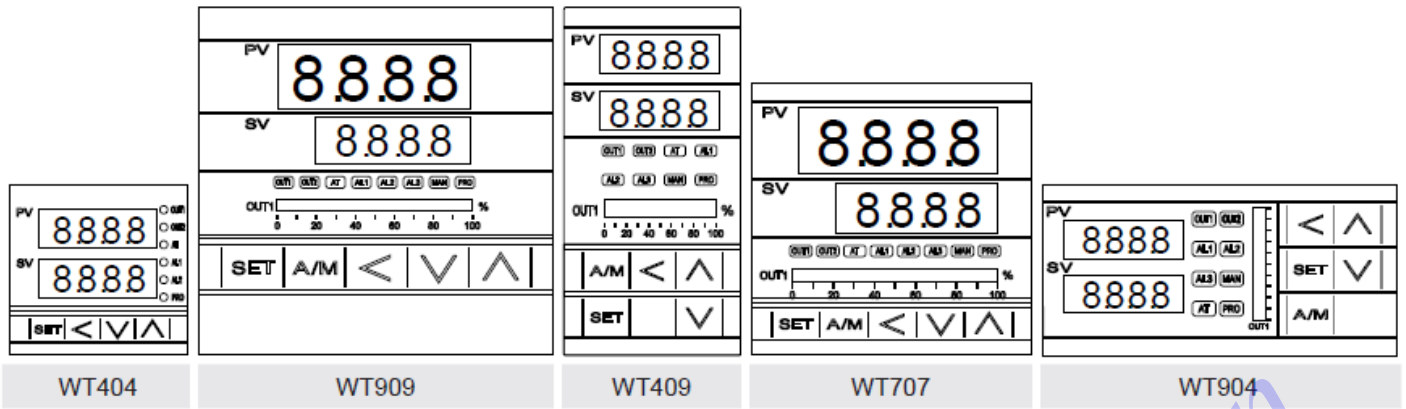
No.	Item	Description
(1)	Terminal arrangement	WT707 Terminal Wiring Diagram
(2)	Model number	WT707 model name
(3)	Serial number	SP20021170001
(4)	Input type	Controller Input Signal and Range

### 4.2.3 WT904/409/909



No.	Item	Description
(1)	Terminal arrangement	WT909 Terminal Wiring Diagram
(2)	Model number	WT909 model name
(3)	Serial number	SP20021190001
(4)	Input type	Controller Input Signal and Range

## 5. Parts Description

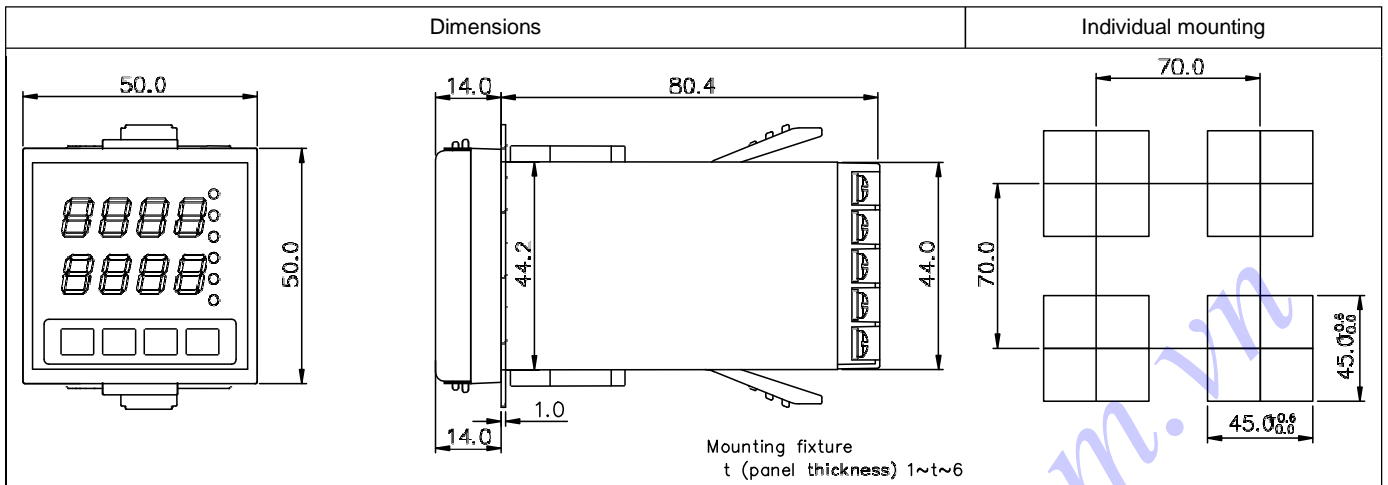


	1	PV	Indicating PV (measured value) and character information such as parameter codes or error codes(Red)	
	2	SV	Indicating SV (target set value) or parameter values(Green)	
	3	LED	OUT1	Lamp lit when OUT1 is activated ( Green )
			OUT2	Lamp lit when OUT2 is activated ( Green )
			AT	Lamp lit when Auto tuning is activated (Orange)
			AL1	Lamp lit when Alarm 1 is activated (Red)
			AL2	Lamp lit when Alarm 2 is activated (Red)
			AL3	Lamp lit when Alarm 3 is activated (Red)
			MAN	Lamp lit when controller in manual mode or get error condition (Orange)
			PRO	When the program is executed, this light is on (orange)
	OUT1%	Output% bar-graph indicator(Green)		
4	Keypad	SET	SET For parameter call-up and set value registration	
		A/M	A/M Function activation	
		SHIFT	SHIFT Shift digits when changing settings	
		DOWN	DOWN Decrease numerals	
		UP	UP Increase numerals	

## 6. Installation

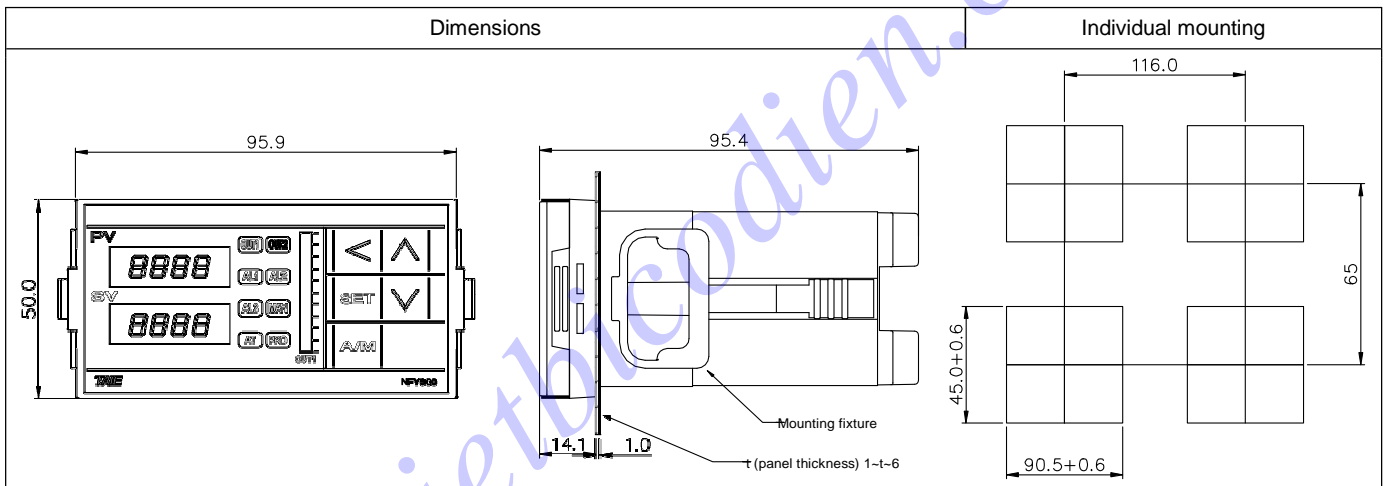
### 6.1 WT404 Dimensions

(Unit : mm)



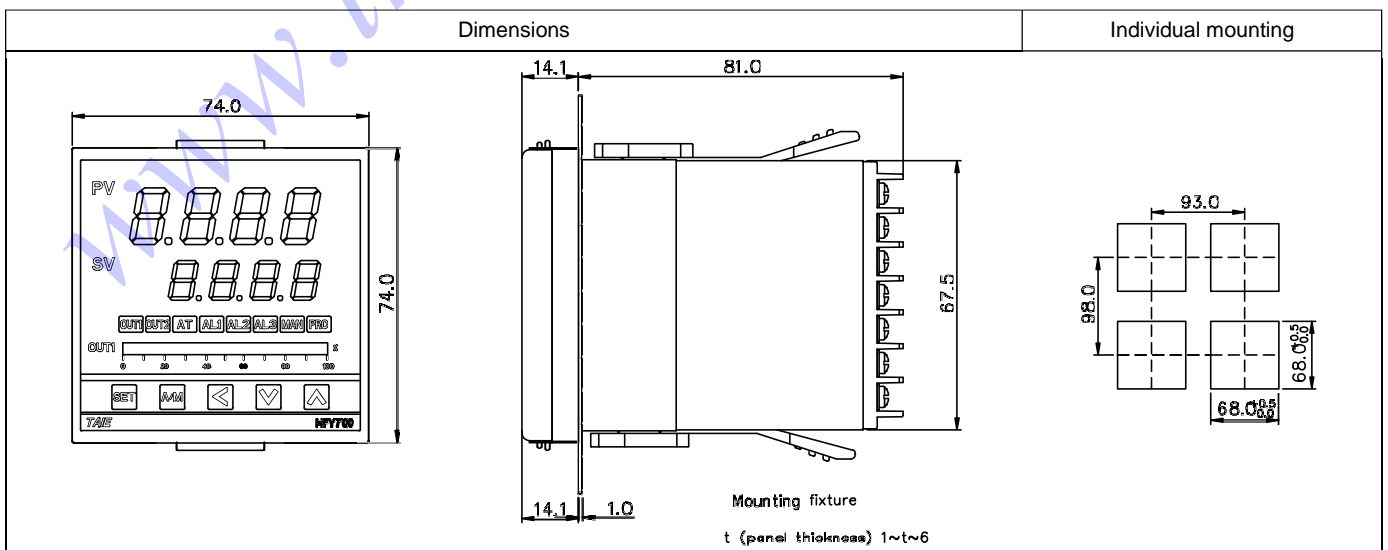
### 6.2 WT904 Dimensions

(Unit : mm)



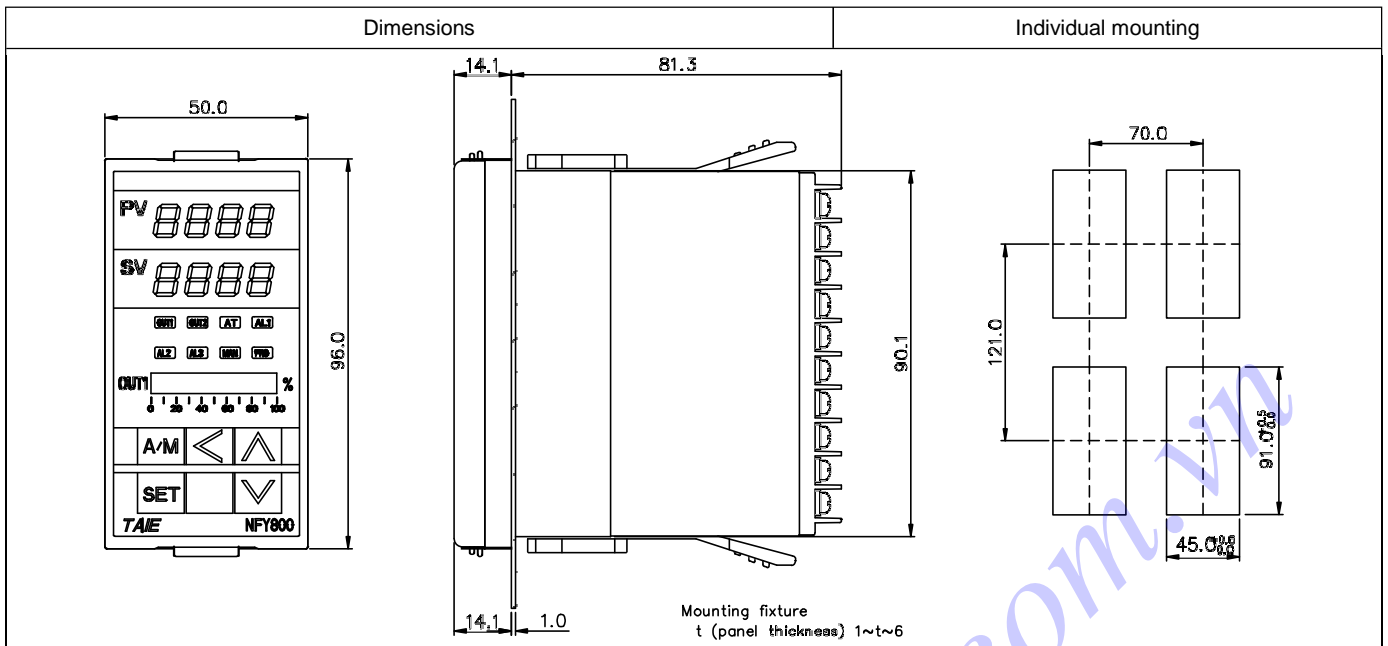
### 6.3 WT707 Dimensions

(Unit : mm)



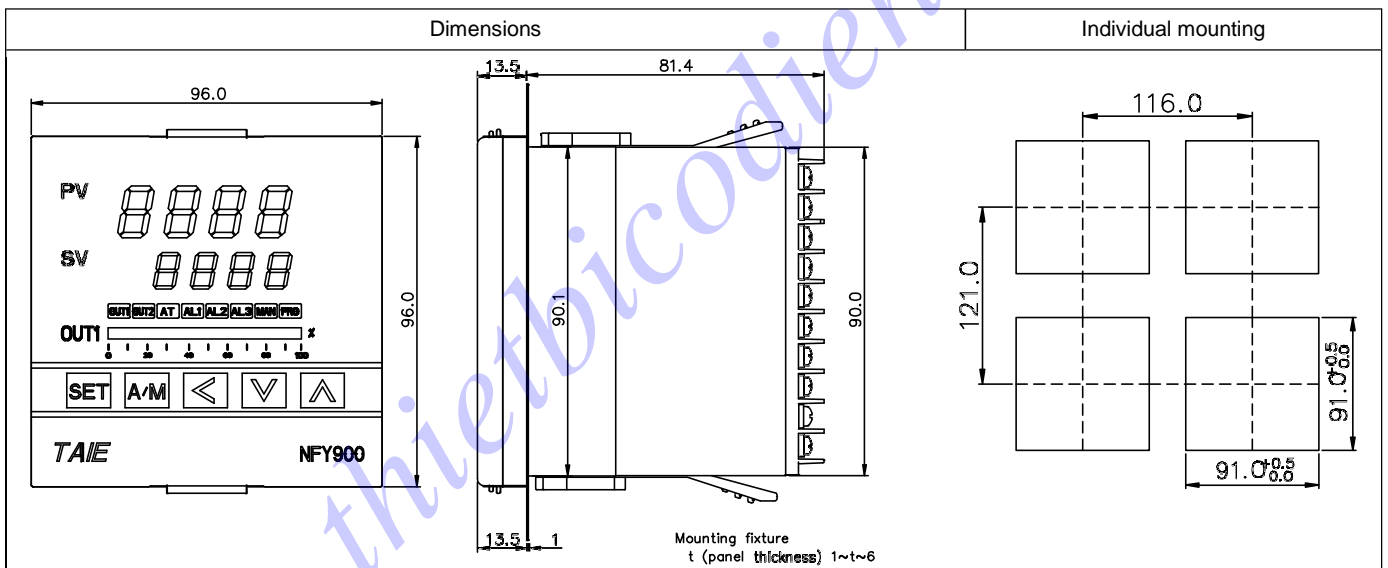
## 6.4 WT409 Dimensions

(Unit : mm)



## 6.5 WT909 Dimensions

(Unit : mm)

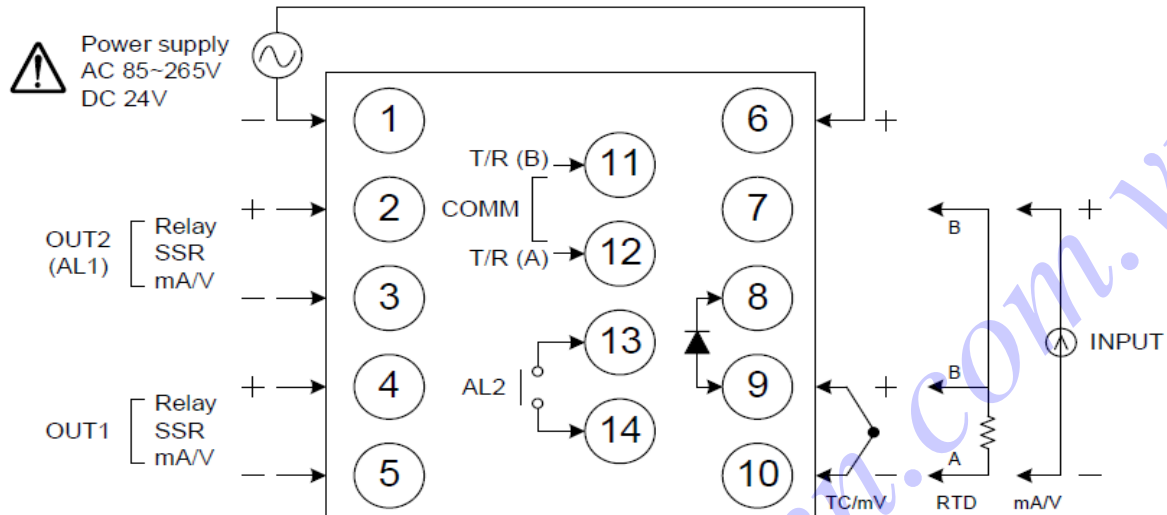


## 7. Terminal Arrangement

### Warning

Turn the power supply to the instrument off before wiring or checking.  
Working on or touching the terminal with the power switched on may result in severe injury or death due to electric shock.

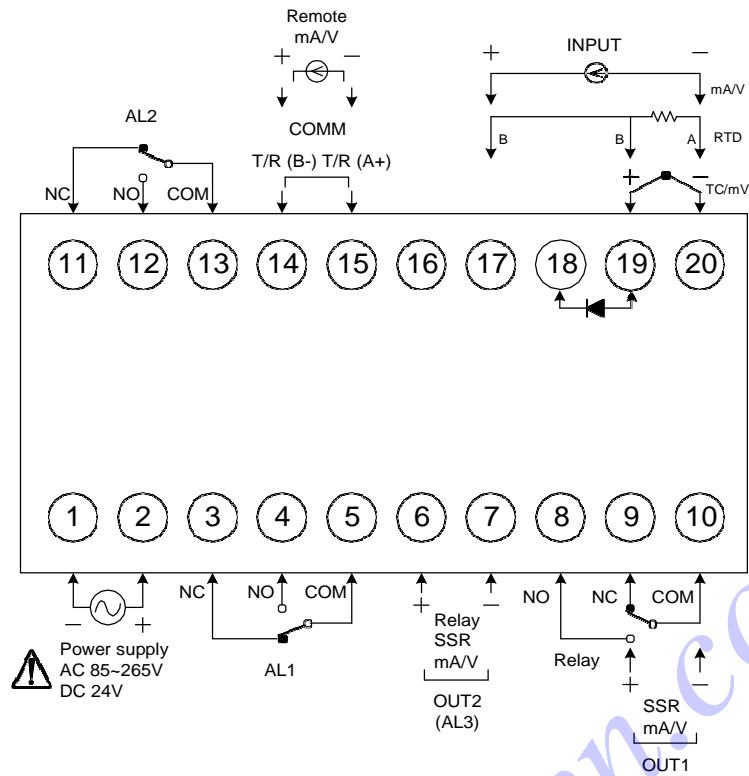
### 7.1 WT404 Terminal Arrangement



Power		
Output-1		
Output-2		
1φ Zero cross		
Motor valve		



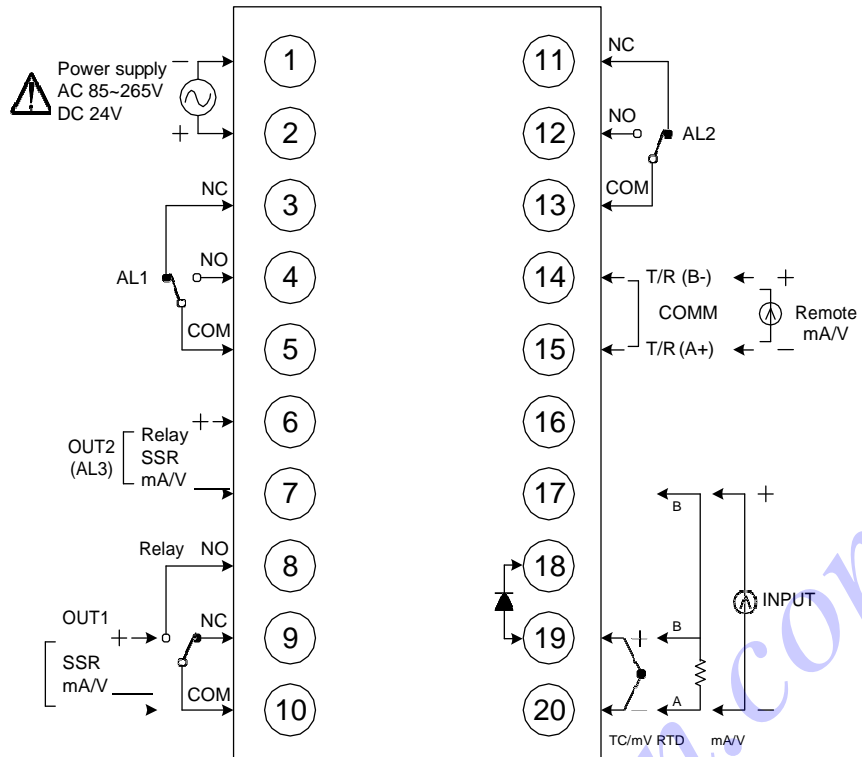
## 7.2 WT904 Terminal Arrangement



Power		Communication	
Output-1		Transmission	
Output-2		Remote SV/CT Input	
Motor valve		Digit Input	
Alarm-1 Alarm-2 Alarm-3		Input 1	
		Input 2	

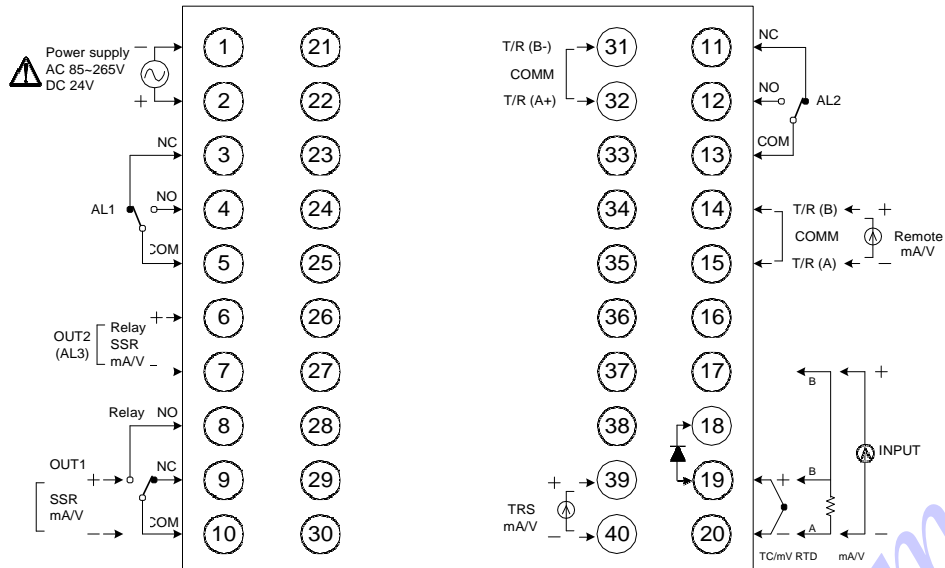


## 7.4 WT409 Terminal Arrangement



Power		Communication	
Output-1		Transmission	
Output-2		Remote SV/CT Input	
Motor valve		Digit Input	
Alarm-1 Alarm-2 Alarm-3		Input 1	
		Input 2	

## 7.5 WT909 Terminal Arrangement



Power		
Output-1		
Output-2		
Motor valve		
3φ Zero cross		
1φ Zero cross / Phase angle		

## 8. Basic Function Setting

### 8.1 Change Input Type

1.	PV 0025 SV 8880	Display after power-on.	2.	PV 0025 SV 8822	Hold <b>SET</b> key + <b>◀</b> key 3 seconds, to enter LEVEL_3 upper display showing "INPT" with lower display showing current input type.
3.	PV 0025 SV 8822	Press <b>◀</b> key the lower display flashes.	4.	PV 0025 SV 8822	Press <b>▲</b> key and <b>▼</b> key to enter the intended input type.
5.	PV 0025 SV 8822	Press <b>SET</b> key to store new value of INPT.	Modify input type needs to interchange of jumper location, and it needs to recalibration for linear input type change. Please refer to chapter <a href="#">15 "modification of Input signal"</a> .		

### 8.2 SV Setting

1.	PV 0025 SV 8880	Display after power-on.	2.	PV 0025 SV 0000	When <b>◀</b> key is pressed, the lower display flashes.
3.	PV 0025 SV 0150	Press <b>▲</b> key and <b>▼</b> key to adjust set value.	4.	PV 0025 SV 0150	Press <b>SET</b> key to store new value of SV.














### 8.3 RUN/STOP Mode Selection

1.	PV 0025 SV 8850	Display after power-on.	2.	PV 0025 SV STOP	Press <b>SET</b> key to enter parameter setup display, with "R_S" shown on the upper display.
3.	PV 0025 SV STOP	When <b>◀</b> key is pressed, the lower display flashes.	4.	PV 0025 SV STOP	Press <b>▲</b> key or <b>▼</b> key to select RUN/STOP mode.
5.	PV 0025 SV 8850	Press <b>SET</b> key to store new value of R_S.	When controller is in STOP mode, it disable OUTPUT and ALARM functions.		
























### 8.4 Setting PID Value Automatically(Auto-tuning)

1.	PV 0025 SV 8850	Display after power-on.	2.	PV 0025 SV 88FF	Press <b>SET</b> key to get parameter setup display, as "OFF" will be shown on the upper display.
3.	PV 0025 SV 88FF	When <b>◀</b> key is pressed, the lower display flashes.	4.	PV 0025 SV 88FF	Press <b>▲</b> key or <b>▼</b> key to select auto tuning execution or not.
5.	PV 0025 SV 8888	Press <b>SET</b> key to store new value of AT.	When auto-tuning AT LED lamp lit and start to output, through a few circles to get new PID value with the precise control, if finished the AT LED will be lamp off.		





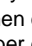











## 8.5 Setting PID Value Manually

1.	PV  SV 	Display after power-on.	2.	PV  SV 	Hold <b>SET</b> key 3 seconds, then entering into LEVEL_2 upper display showing "P1", with lower display show
3.	PV  SV 	When  key is pressed, the lower display flashes.	4.	PV  SV 	Press  key and  key to set the intended P1 value.
5.	PV  SV 	Press <b>SET</b> key to store new value of P1.	By the same procedure, use the same ways to set integral time(I1) and derivative time(D1).		

## 8.6 Controlling With ON/OFF Action

1.	PV  SV 	Display after power-on.	2.	PV  SV 	Hold <b>SET</b> key 3 seconds, then entering into LEVEL_2, as upper display shows "P1", with lower display showing current P1 value.
3.	PV  SV 	When  key is pressed, the lower display flashes, upper display.	4.	PV  SV 	Press  key until P1 = 0.0
5.	PV  SV 	Press <b>SET</b> key to store new value.	6.	PV  SV 	Press <b>SET</b> key to get parameter setup display, "HYS1" shown on the upper display.
7.	PV  SV 	When  key is pressed, the lower display flashes.	8.	PV  SV 	Press  key and  key to set the intended HYS1 value.
9.	PV  SV 	Press <b>SET</b> key to store new value.	Heat mode formula: $PV \geq (SV + HYS1) \rightarrow OUT1 \text{ OFF}$ $PV \leq (SV - HYS1) \rightarrow OUT1 \text{ ON}$ Cool mode formula: $PV \geq (SV + HYS1) \rightarrow OUT1 \text{ ON}$ $PV \leq (SV - HYS1) \rightarrow OUT1 \text{ OFF}$		

## 8.7 Alarm Mode Setting

1.	PV  SV 	Display after power-on.	2.	PV  SV 	Hold <b>SET</b> key +  key 3 seconds, then entering into LEVEL_3 upper display showing "INPT" with lower display showing current input type.
3.	PV  SV 	Press <b>SET</b> key to get parameter setup display, with "ALD1" shown on the upper display.	4.	PV  SV 	When  SHIFT key is pressed, the lower display flashes.
5.	PV  SV 	Press  key and  key to set the intended ALD1 value.	6.	PV  SV 	Press <b>SET</b> key to store new value of ALD1. Please refer to <a href="#">chapter 12.1 Alarm mode.</a>

## 8.8 Alarm Value Setting

1.	PV 0025 SV 8880	Display after power-on.	2.	PV 0014 SV 8880	Press <b>SET</b> key to get parameter setup display, with "AL1H" shown on the upper display.
3.	PV 0014 SV 0000	When <b>◀</b> key is pressed, the lower display flashes.	4.	PV 0014 SV 0020	Press <b>▲</b> key and <b>▼</b> key to set the intended AL1H value.
5.	PV 0014 SV 8820	Press <b>SET</b> key to store new value of AL1H.			

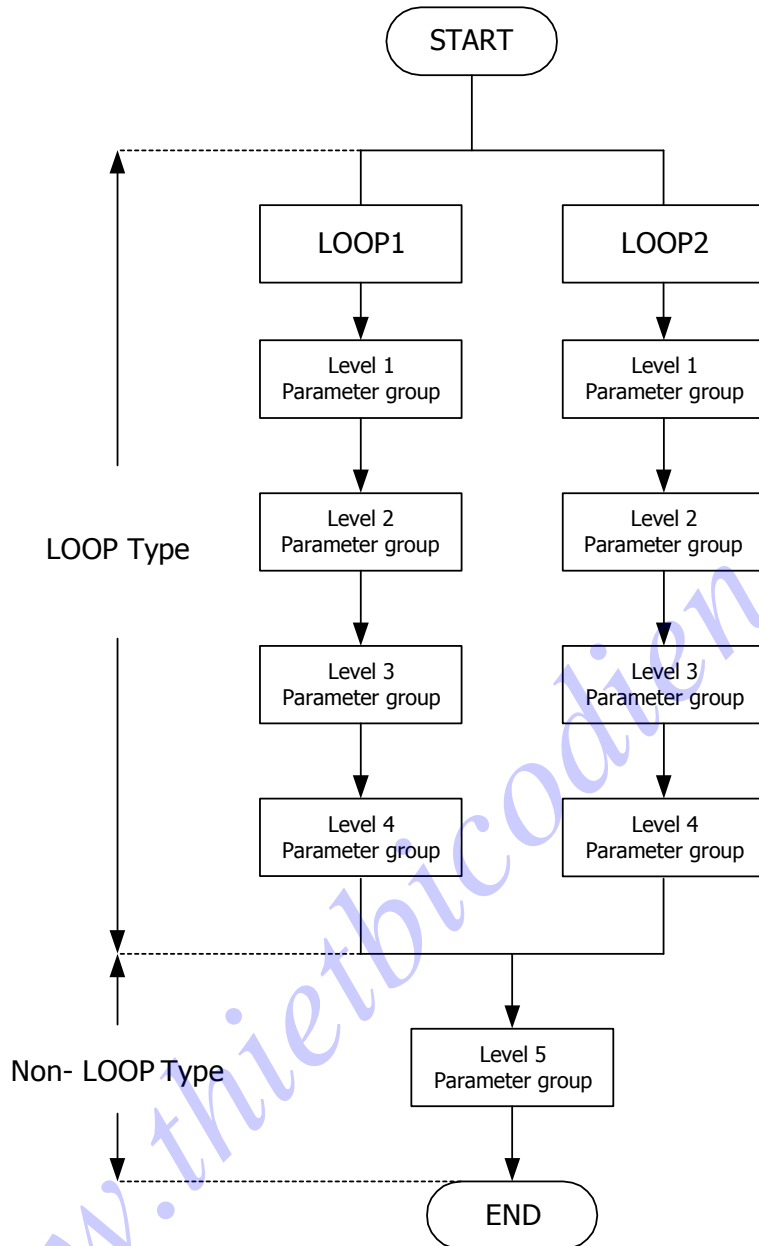
## 8.9 Controlling With Manual Control

1.	PV 0025 SV 8850	Display after power-on.	2.	PV 0000 SV AUTO	Press <b>SET</b> key to get parameter setup display, with "A_M" shown on the upper display.
3.	PV 0000 SV AUTO	When <b>◀</b> key is pressed, the lower display flashes.	4.	PV 0000 SV 0000	Press <b>▲</b> key or <b>▼</b> key to select AUTO/MAN mode.
5.	PV 0000 SV 0000	Press <b>SET</b> key to store new value of A_M.	6.	PV 0000 SV 8450	Press <b>SET</b> key to get parameter setup display, with "MOUT" shown on the upper display.
7.	PV 0025 SV 0000	When <b>◀</b> key is pressed, the lower display flashes.	8.	PV 0025 SV 1000	Press <b>▲</b> key and <b>▼</b> key to set the intended MOUT value.
9.	PV 0000 SV 1000	Press <b>SET</b> key to store new value of MOUT.	In manual mode and MOUT=100.0, output=100.0% continuously. In manual mode and MOUT=20.0, output=20.0% continuously.		

## 9. Flow Chart Of Parameter Setting

### 9.1 Parameter Structure

The WT controller is an original dual-loop controller. The parameter group of Level 1~Level 4 is of LOOP type. There are two copies kept in LOOP1 and LOOP2. Level 5 parameter group non-LOOP type is of an independent, linked with Level 4 of LOOP1 or LOOP2, as the parameter structure is shown in the diagram below.

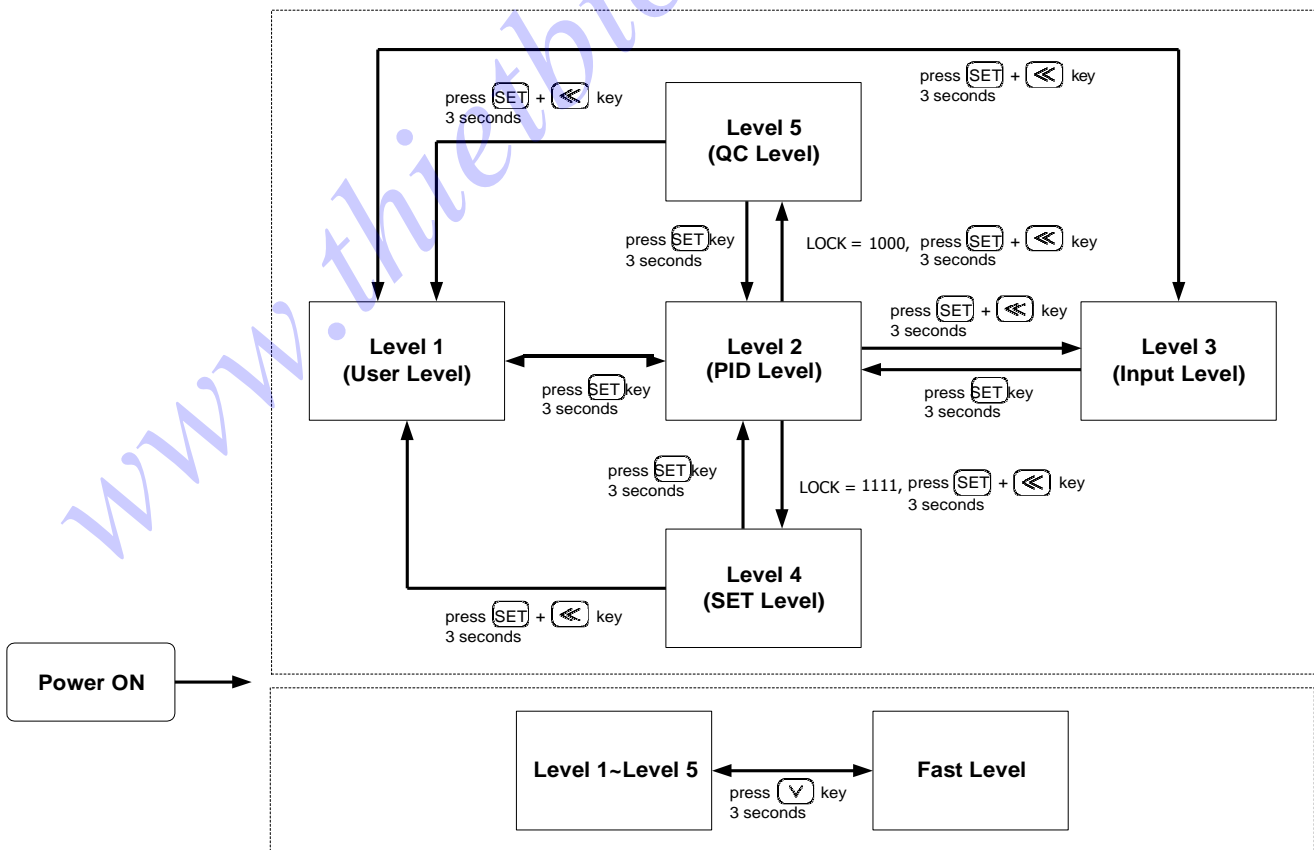




## 9.2 Level Operation Mode

1. LEVEL 1 enter to the LEVEL 2  
Hold SET key for 3 seconds then entering into LEVEL 2
2. LEVEL 1 enter to the LEVEL 3  
Hold SET key + SHIFT key for 3 seconds then entering into LEVEL 3
3. LEVEL 2 return to the LEVEL 1  
Hold SET key for 3 seconds then return to LEVEL 1
4. LEVEL 2 enter to the LEVEL 3  
Hold SET key for 3 seconds then return to LEVEL 3
5. LEVEL 1 enter to the LEVEL 4  
Hold SET key for 3 seconds then entering into LEVEL 2, in LEVEL 2  
press SET key to find parameter "LOCK", modify LOCK value from current value to 1111  
then hold SET key + SHIFT key for 3 seconds then entering into LEVEL 4
6. LEVEL 2 enter to the LEVEL 5  
Hold SET key for 3 seconds then entering into LEVEL 2, in LEVEL 2  
press SET key to find parameter "LOCK", modify LOCK value from current value to 1000  
then hold SET key + SHIFT key for 3 seconds then entering into LEVEL 5
7. LEVEL 3 return to the LEVEL 1  
hold SET key + SHIFT key for 3 seconds then return to LEVEL 1
8. LEVEL 3 return to the LEVEL 2  
Hold SET key for 3 seconds then return to LEVEL 2
9. LEVEL 4 return to the LEVEL 1  
Hold SET key + SHIFT key for 3 seconds then return to LEVEL 1
10. LEVEL 4 return to the LEVEL 2  
Hold SET key for 3 seconds then return to LEVEL 2
11. LEVEL 5 return to the LEVEL 1  
Hold SET key + SHIFT key for 3 seconds then entering into LEVEL 1
12. LEVEL 5 return to the LEVEL 2  
Hold SET key for 3 seconds then return to LEVEL 2

## 9.3 Level Operation Diagram



※ : If no key is pressed within 60 seconds, it will automatically return to LEVEL 1 (user level) and display PV/SV.

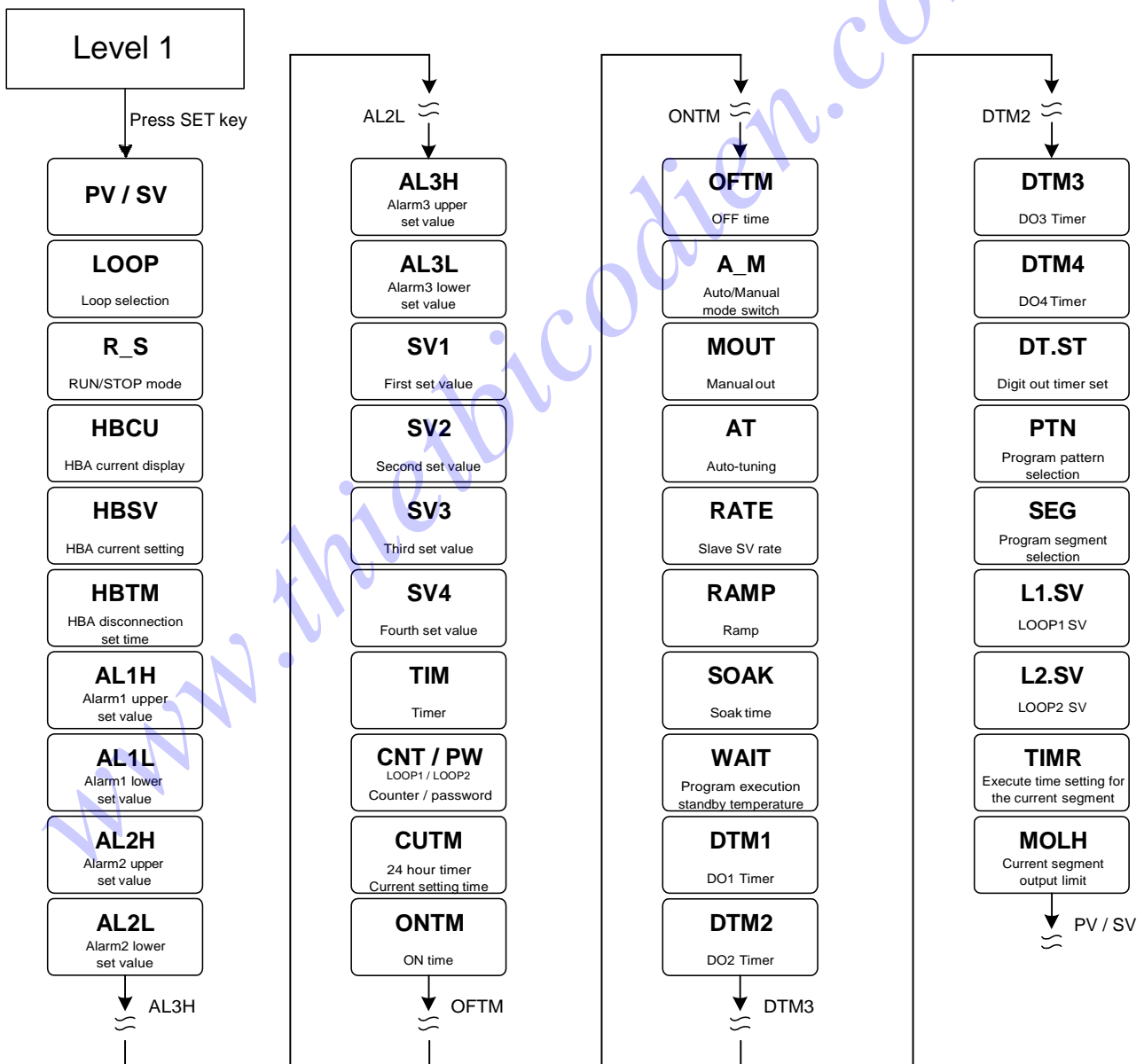
## 9.4 Data Lock Function

LOCK provides a parameter protection function to prevent the operator from touching or modifying important parameters. Conversely, when the parameter cannot be modified, please check that the set value of LCK.

LOCK	LEVEL					Descriptions
	Level_1 USER Level	Level_2 PID Level	Level_3 INPUT Level	Level_4 SET Level	Level_5 QC Level	
0000	⊙	⊙	⊙	X	X	All parameters of Level 1, 2 & 3 are able to be modified (Factory default setting)
1111	⊙	⊙	X	⊙	X	All parameters of Level 1, 2 & 4 are able to be modified
1000	⊙	⊙	X	X	⊙	All parameters of Level 1, 2 & 5 are able to be modified
0001	⊙	⊙	X	X	X	Only SV, LOOP, R_S, A_M, LOCK can be modified
0101	⊙	⊙	X	X	X	Only LOCK can be modified
0110	⊙	⊙	X	X	X	Only parameters of Level 1 and LOCK can be modified
Other	⊙	⊙	⊙	X	X	Once jumping to other levels, LOCK will be automatically restored to 0000

⊙ : allow    X : inhibit

## 9.5 Level 1 (User Level) All Parameters Display



※ If no key is pressed within 60 seconds, it will automatically return to LEVEL 1 (user level) and display PV/SV.

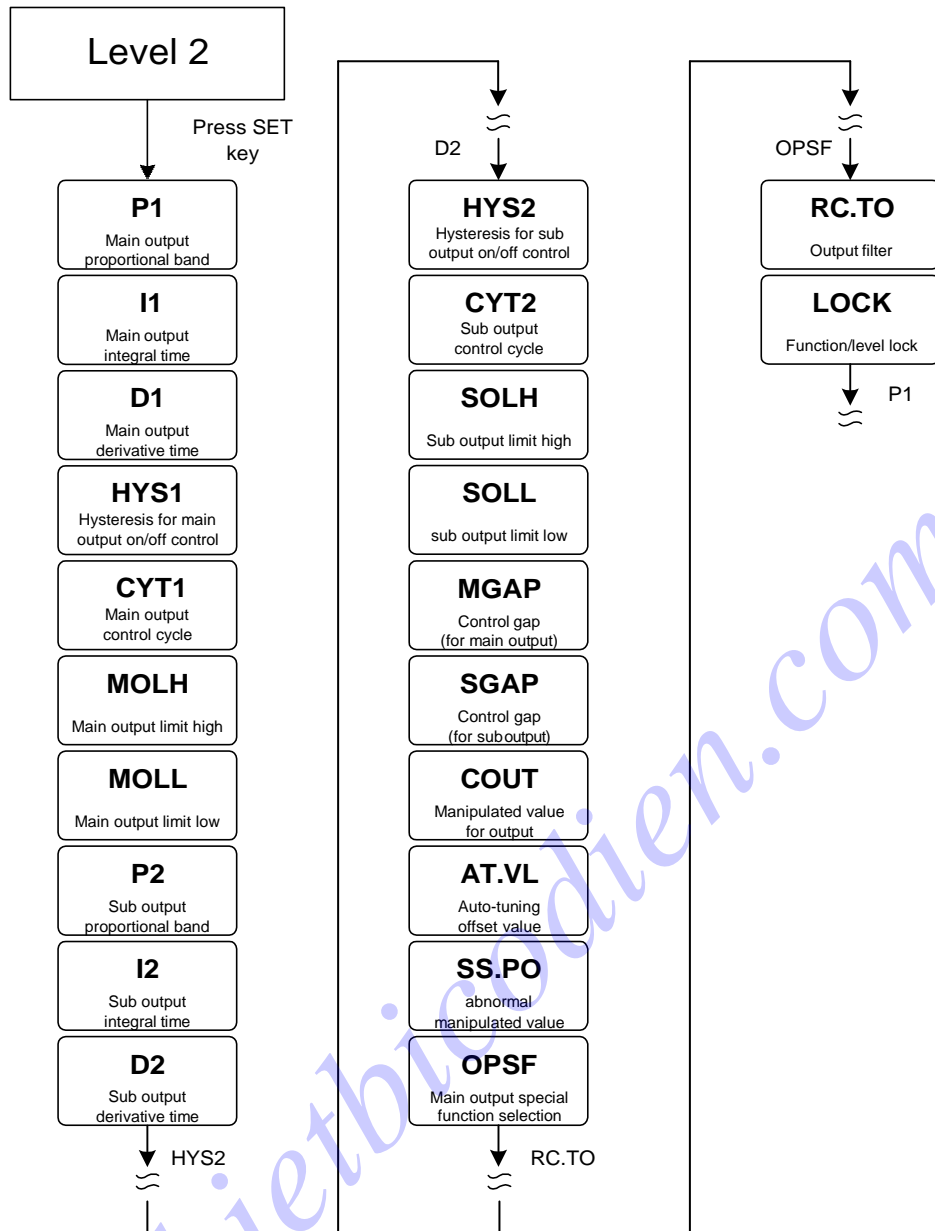
## 9.6 LEVEL\_1 Parameter

Parameter	Symbol	Content	Range		Default	Hide/Display
			MAX	MIN		
PV	---	Process value	USPL	LSPL	---	---
SV	---	Set value	USPL	LSPL	0	---
LOOP	<i>LOOP</i>	Loop selection 0 : LOP1 (loop1) 1 : LOP2 (loop2)	LOP2	LOP1	LOP1	SET6.4
R_S	<i>R_S</i>	RUN/STOP mode selection 0 : STOP (output & alarm disable) 1 : RUN (output & alarm enable)	RUN	STOP	RUN	SET3.4
HBCU	<i>HBCU</i>	HBA current display unit : ampere(A) Please refer to <a href="#">Chapter 11.4</a>	---	---	---	SET1.1 & ALDX=HBA
HBSV	<i>HBSV</i>	HBA current setting unit : ampere(A)	100.0	0.0	1.0	SET1.1 & ALDX=HBA
HBTM	<i>HBTM</i>	HBA disconnection set time unit : second(S)	COTI	0.00	0.10	SET1.1 & ALDX=HBA
AL1H	<i>AL1H</i>	Alarm1 upper set value (ALD1 = DE.HI / DE.HL / BA.ND / PR.HI / DEHI / DEHL / BAND / PRHI appear) Please refer to <a href="#">Chapter 12</a>	9999	-1999	1.0	SET1.2
AL1L	<i>AL1L</i>	Alarm1 lower set value (ALD1 = DE.LO / DE.HL / BA.ND / PR.LO / DELO / DEHL / BAND / PRLO appear)	9999	-1999	1.0	SET1.2
AL2H	<i>AL2H</i>	Alarm2 upper set value (ALD2 = DE.HI / DE.HL / BA.ND / PR.HI / DEHI / DEHL / BAND / PRHI appear)	9999	-1999	1.0	SET1.3
AL2L	<i>AL2L</i>	Alarm2 lower set value (ALD2 = DE.LO / DE.HL / BA.ND / PR.LO / DELO / DEHL / BAND / PRLO appear)	9999	-1999	1.0	SET1.3
AL3H	<i>AL3H</i>	Alarm3 upper set value (ALD3 = DE.HI / DE.HL / BA.ND / PR.HI / DEHI / DEHL / BAND / PRHI appear)	9999	-1999	1.0	SET1.4
AL3L	<i>AL3L</i>	Alarm3 lower set value (ALD3 = DE.LO / DE.HL / BA.ND / PR.LO / DELO / DEHL / BAND / PRLO appear)	9999	-1999	1.0	SET1.4
SV1	<i>SV01</i>	First set value (only available in DI function)	USPL	LSPL	10	SET2.1
SV2	<i>SV02</i>	Second set value (only available in DI function)	USPL	LSPL	20	SET2.1
SV3	<i>SV03</i>	Third set value (only available in DI function)	USPL	LSPL	30	SET2.2
SV4	<i>SV04</i>	Fourth set value (only available in DI function)	USPL	LSPL	40	SET2.2
TIM	<i>TT00</i>	Timer PV address use for current time SV address use for target time (only available in DI function) Please refer to <a href="#">Chapter 11.6</a>	COTI	0.00	0.00	SET2.3
CNT	<i>CT00</i>	Counter PV address use for current count SV address use for target count (only available in DI function)	9999	0	0	SET2.4
CUTM	<i>CT00</i>	24 hour timer Current time Please refer to <a href="#">Chapter 11.8</a>	23.59	0.00	0.00	SET3.1
ONTM	<i>OT00</i>	24 hour timer, ON time PV address use for display current time, SV address use for setting ON time	23.59	0.00	0.00	SET3.1
OFTM	<i>OT00</i>	24 hour timer, OFF time PV address use for display current time, SV address use for setting OFF time	23.59	0.00	0.00	SET3.1

## 9.6 LEVEL\_1 Parameter

Parameter	Symbol	Content	Range		Default	Hide/Display
			MAX	MIN		
A_M		Auto/Manual mode switch 0 : AUTO (auto mode) 1 : MMAN (main output manual mode) 2 : SMAN (sub output manual mode)	SMAN	AUTO	AUTO	SET3.2
MOUT		Manual manipulated output setting value	100.0	0.0	0.0	SET3.2
AT		Auto-tuning execute selection 0 : OFF (PID control) 1 : ON (execute auto-tuning)	ON	OFF	OFF	SET3.3
RATE		Slave SV rate RATE SV = SV x (RATE/9999)	9999	0	9999	SV.TY=RATE SV.TY=ANRA
RAMP		The rate of change during SV ramp operation format : °C / minute Please refer to <a href="#">Chapter 11.11</a>	99.99	-19.99	0.00	SV.TY=RAMP & SETE.4
SOAK		Soak time Time format : min.sec	COTI	0.00	0.10	ALDX=MSOK ALDX=SOAK ALDX=FSOK
WAIT		Program execution standby temperature 0 : when program execute do not wait for PV temperature Other values : when PV= (target SV-WAIT) program entering next segment Please refer to <a href="#">Chapter 13</a>	1000	0	0	SET4.1
DTM1		Reserve	99.59	0.00	0.00	SET4.2
DTM2		Reserve	99.59	0.00	0.00	SET4.2
DTM3		Reserve	99.59	0.00	0.00	SET4.2
DTM4		Reserve	99.59	0.00	0.00	SET4.2
DT.ST		Reserve	99.59	0.00	0.00	SET4.3
PTN		Program pattern selection 1~15	15	TRIP	1	SV.TY = PROG
SEG		Program segment selection 1~10	10	1	1	SV.TY = PROG
L1.SV		LOOP1 current segment target SV	USPL	LSPL	0	SV.TY = PROG
L2.SV		LOOP2 current segment target SV	USPL	LSPL	0	SV.TY=PROG & SET6.4
TIMR		Current segment execute time setting, this parameter determines the link between segment and segment or pattern and pattern END(-1) : program end in this segment 00.00 : program step change in this segment 00.01~99.58 : program in this segment execute time COTI(99.59) : program continue execute this segment no end	COTI	END	00.00	SV.TY = PROG
MOLH		Current segment output limit	100.0	0.0	100.0	SV.TY=PROG & SET6.4

## 9.7 Level 2 (PID Level) All Parameters Display



※ If no key is pressed within 60 seconds, it will automatically return to LEVEL 1 (user level) and display PV/SV.

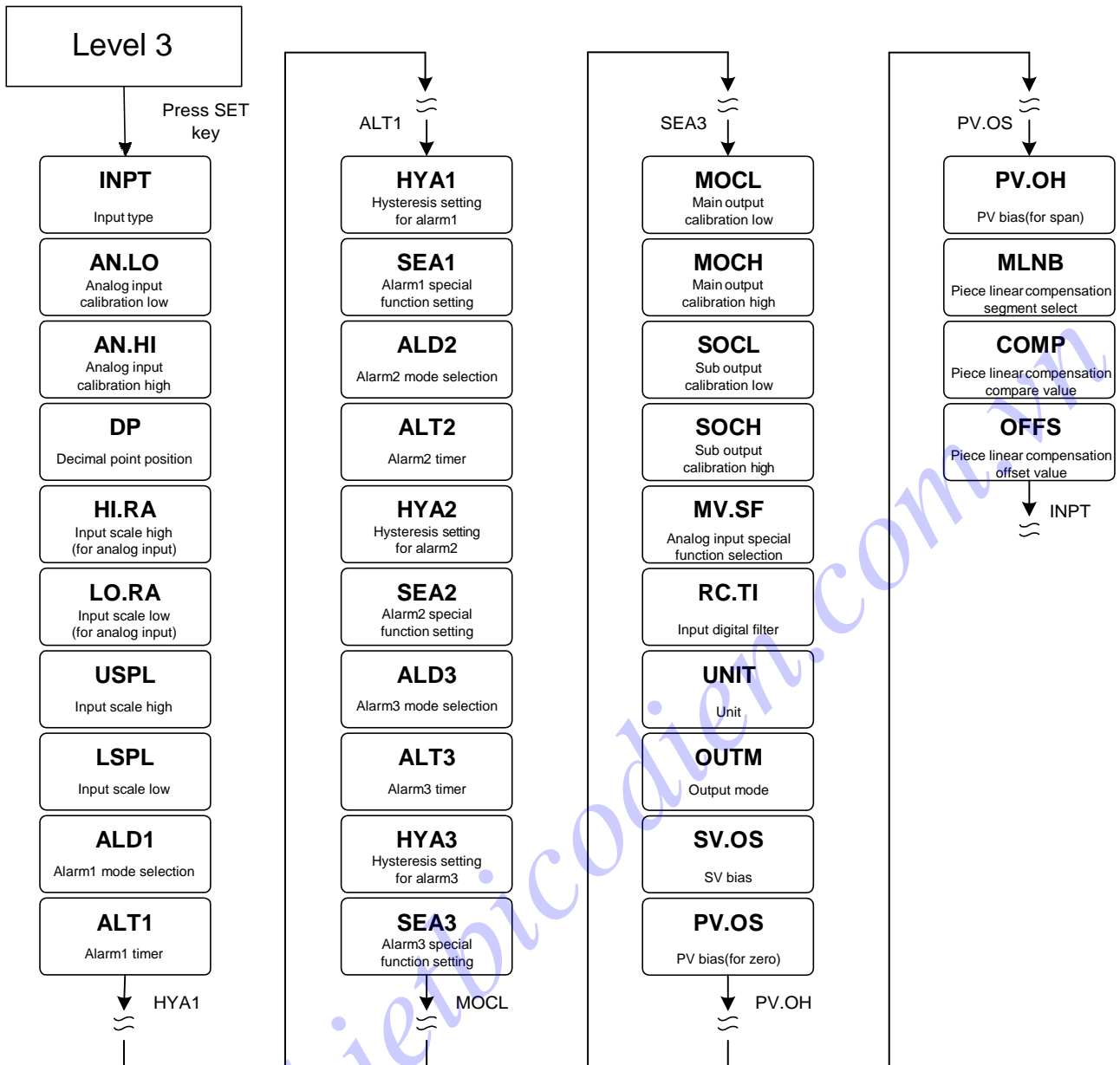
## 9.8 LEVEL\_2 Parameter

Parameter	Symbol	Content	Range		Default	Hide/Display
			MAX	MIN		
P1	<i>PP1</i>	Main output proportional band 0 : ON/OFF control Other values : proportional band setting value	200.0	0.0	3.0	---
I1	<i>PP19</i>	Main output integral time 0 : disable integral function Other values : integral time setting value	3600	0	240	---
D1	<i>PP1D</i>	Main output derivative time 0 : disable derivative function Other values : derivative time setting value	900	0	60	---
HYS1	<i>HY51</i>	Hysteresis for main output on/off control use(when P1 = 0.0 appear) heating formula : $PV \geq (SV + HYS1) \rightarrow OUT1=OFF$ $PV \leq (SV - HYS1) \rightarrow OUT1=ON$ cooling formula : $PV \geq (SV + HYS1) \rightarrow OUT1=ON$ $PV \leq (SV - HYS1) \rightarrow OUT1=OFF$	100.0	-100.0	1.0	P1 = 0.0
CYT1	<i>PP1C</i>	Main output control cycle 0 : Linear signal 1 : SSR drive 2~150 : Relay	150	0	10	---
MOLH	<i>PP1LH</i>	High limit setting of manipulated value for main output	100.0	0.0	100.0	SET5.2
MOLL	<i>PP1LL</i>	Low limit setting of manipulated value for main output	100.0	0.0	0.0	SET5.2
P2	<i>PP2</i>	Sub output proportional band 0 : ON/OFF control Other values : proportional band setting value	200.0	0.0	3.0	OU.TY = DOUB
I2	<i>PP29</i>	Sub output integral time 0 : disable integral function Other values : integral time setting value	3600	0	240	OU.TY = DOUB
D2	<i>PP2D</i>	Sub output derivative time 0 : disable derivative function Other values : derivative time setting value	900	0	60	OU.TY = DOUB
HYS2	<i>HY52</i>	Hysteresis for sub output on/off control(when P2 = 0.0 appear)	100.0	-100.0	1.0	P2 = 0.0
CYT2	<i>PP2C</i>	Sub output control cycle 0 : Linear signal 1 : SSR drive 2~150 : Relay	150	0	10	OU.TY = DOUB
SOLH	<i>PP2LH</i>	High limit setting of manipulated value for sub output	100.0	0.0	100.0	SET5.4
SOLL	<i>PP2LL</i>	Low limit setting of manipulated value for sub output	100.0	0.0	0.0	SET5.4
MGAP	<i>PP2GAP</i>	Control gap (for main output)	1000	-1000	0	OU.TY = DOUB
SGAP	<i>PP2GAP</i>	Control gap (for sub output)	1000	-1000	0	OU.TY = DOUB
COUT	<i>PP2OUT</i>	Current manipulated output value	100.0	0.0	---	SET6.1
AT.VL	<i>PP2VL</i>	Auto-tuning offset value execute auto-tuning in (SV-ATVL) point	100.0	-100.0	0.0	SET6.2
SS.PO	<i>PP2SP</i>	If SETF.2=0, in manual mode or error condition controller will load this setting value as manipulated value.	100.0	0.0	25.0	SET6.2

## 9.8 LEVEL\_2 Parameter

Parameter	Symbol	Content	Range		Default	Hide/Display
			MAX	MAX		
OPSF	<i>OPSF</i>	Main output special function selection 0 : NONE (special function OFF) 1 : SQUA (manipulated output value square) 2 : ROOT (manipulated output value square root) 3 : REVE (manipulated output value reverse) 4 : SQ.RE (manipulated output value square reverse) 5 : RO.RE (manipulated output value square root reverse)	RO.RE	NONE	NONE	SET6.3
RC.TO	<i>RC.T0</i>	Output filter Unit : second	10.00	1.00	2.00	SET6.3
LOCK	<i>LOCK</i>	Function/level lock Please refer to <a href="#">Chapter 9.4</a>	1111	0000	0000	0000

## 9.9 Level 3 (Input Level) All Parameters Display



※ If no key is pressed within 60 seconds, it will automatically return to LEVEL 1 (user level) and display PV/SV.



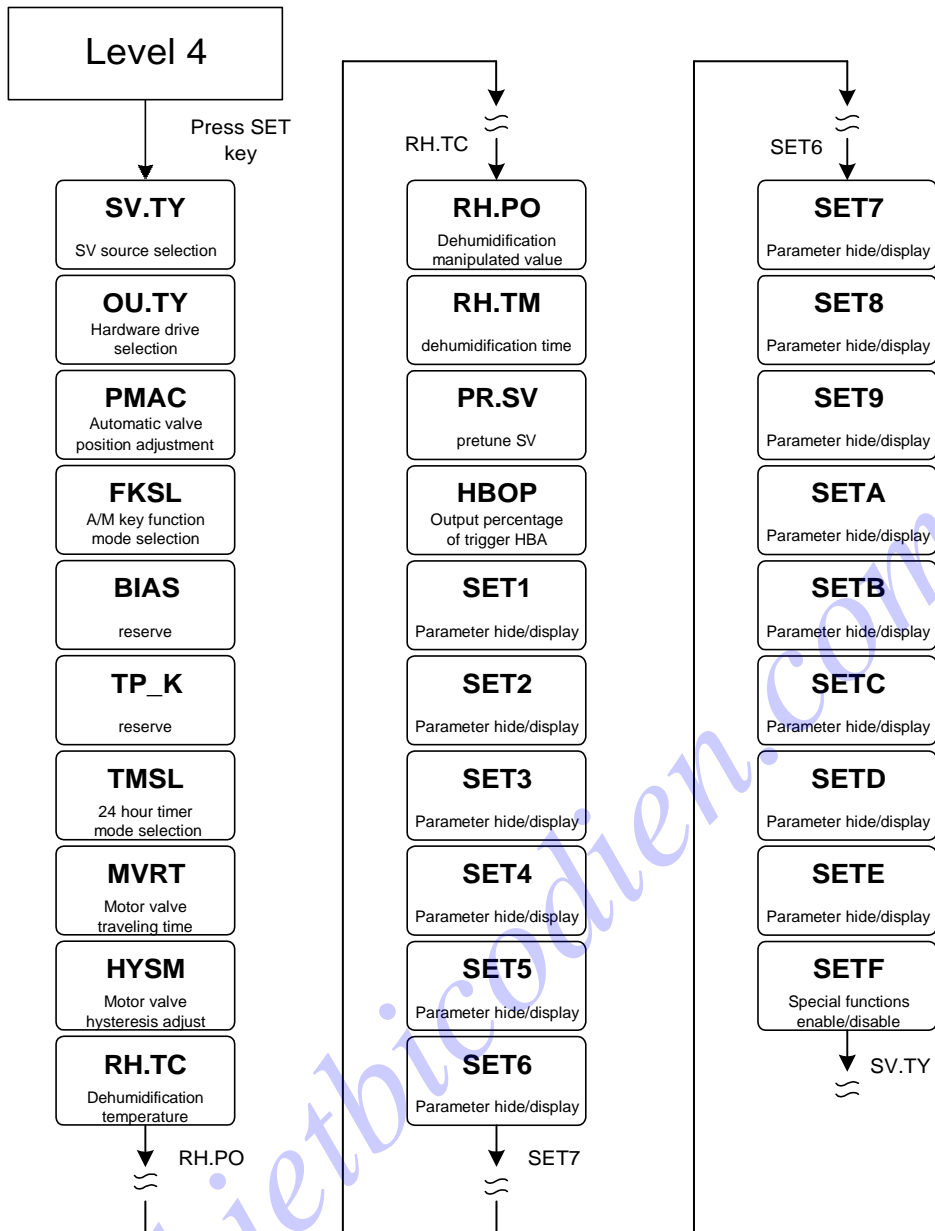
## 9.10 LEVEL\_3 Parameter

Parameter	Symbol	Content	Range		Default	Hide/Display
			MAX	MIN		
INPT	<i>INPT</i>	Input type selection (please refer to <a href="#">Chapter 3 Input Range Table</a> )	AN6	K1	K1	---
AN.LO	<i>AN.LO</i>	Analog input zero calibration, only available in linear input Please refer to <a href="#">Chapter 15.3</a>	9999	-1999	0	SET7.1
AN.HI	<i>AN.HI</i>	Analog input span calibration, only available in linear input, hex display Please refer to <a href="#">Chapter 15.3</a>	0x7FFF	0x0000	0x5FFF	SET7.1
DP	<i>DP</i>	Decimal point position (only available in linear signal input) 0 : 0000 1 : 000.0 2 : 00.00 3 : 0.000	0.000	0000	0000	SET7.1
HI.RA	<i>HI.RA</i>	Input scale high(for analog input)	9999	-1999	---	SET7.2
LO.RA	<i>LO.RA</i>	Input scale low(for analog input)	9999	-1999	---	SET7.2
USPL	<i>USPL</i>	Input scale high (for Thermocouple or RTD)	9999	-1999	---	SET7.3
LSPL	<i>LSPL</i>	Input scale low (for Thermocouple or RTD)	9999	-1999	---	SET7.3
ALD1	<i>ALD1</i>	Alarm1 mode selection (Please refer to <a href="#">Chapter 12.1 Alarm Mode</a> )	FSOK	NONE	DEHI	SET7.4
ALT1	<i>ALT1</i>	FLIK (00.00) : Flicker COTI (99.59) : Continued ON 00.01~99.58 : delay time	COTI	FLIK	COTI	SET7.4
HYA1	<i>HYA1</i>	Hysteresis setting for alarm1	999.9	-199.9	1.0	SET7.4
SEA1	<i>SEA1</i>	Alarm1 special function setting (Please refer to <a href="#">Chapter 12.2 Alarm Special Setting</a> )	1111	0000	0000	SET7.4
ALD2	<i>ALD2</i>	Alarm2 mode selection (Please refer to <a href="#">Chapter 12.1 Alarm Mode</a> )	FSOK	NONE	NONE	SET8.1
ALT2	<i>ALT2</i>	FLIK (00.00) : Flicker COTI (99.59) : Continued ON 00.01~99.58 : delay time	COTI	FLIK	COTI	SET8.1
HYA2	<i>HYA2</i>	Hysteresis setting for alarm 2	999.9	-199.9	1.0	SET8.1
SEA2	<i>SEA2</i>	Alarm2 special function setting (Please refer to <a href="#">Chapter 12.2 Alarm Special Setting</a> )	1111	0000	0000	SET8.1
ALD3	<i>ALD3</i>	Alarm3 mode selection (Please refer to <a href="#">Chapter 12.1 Alarm Mode</a> )	FSOK	NONE	NONE	SET8.2
ALT3	<i>ALT3</i>	FLIK (00.00) : Flicker COTI (99.59) : Continued ON 00.01~99.58 : delay time	COTI	FLIK	COTI	SET8.2
HYA3	<i>HYA3</i>	Hysteresis setting for alarm 3	999.9	-199.9	1.0	SET8.2
SEA3	<i>SEA3</i>	Alarm3 special function setting (Please refer to <a href="#">Chapter 12.2 Alarm Special Setting</a> )	1111	0000	0000	SET8.2
MOCL	<i>MOCL</i>	Main output zero calibration only available for linear signal Please refer to <a href="#">Chapter 14.5</a>	9999	0	0	SET8.3
MOCH	<i>MOCH</i>	Main output span calibration only available for linear signal Please refer to <a href="#">Chapter 14.5</a>	9999	0	3600	SET8.3
SOCL	<i>SOCL</i>	Sub output zero calibration only available for linear signal	9999	0	0	SET8.4
SOCH	<i>SOCH</i>	Sub output span calibration only available for linear signal	9999	0	3600	SET8.4

### 9.10 LEVEL\_3 Parameter

Parameter	Symbol	Content	Range		Default	Hide/Display
			MAX	MIN		
MV.SF	<i>005F</i>	Analog input special function selection 0 : NONE (special function OFF) 1 : SQUA (analog input square) 2 : ROOT (analog input square root) 3 : REVE (analog input reverse) 4 : SQ.RE (analog input square reverse) 5 : RO.RE (analog input square root reverse)	RO.RE	NONE	NONE	SET9.1
RC.TI	<i>0000</i>	Input digital filter Unit : second	10.00	1.00	2.00	SET9.2
UNIT	<i>0000</i>	Unit 0 : °C 1 : °F 2 : U (Linear signal)	2	0	---	SET9.3
OUTM	<i>0000</i>	Control action selection 0 : HEAT (reverse action) 1 : COOL (direct action)	COOL	HEAT	HEAT	SET9.4
SV.OS	<i>5005</i>	SV bias	100.0	-100.0	0	SETA.1
PV.OS	<i>0005</i>	PV bias(for zero) $PV = PV \times (PV.OH / 5000) + PV.OS$ Please refer to <a href="#">Chapter 11.1</a>	199.9	-199.9	0	SETA.2
PV.OH	<i>0000</i>	PV bias(for span) $PV = PV \times (PV.OH / 5000) + PV.OS$	9999	0	5000	SETA.2
MLNB	<i>0000</i>	Piece linear compensation segment select TRIP : leave setting loop 1~10 : segment select Please refer to <a href="#">Chapter 11.10</a>	10	TRIP	TRIP	SETA.3
COMP	<i>0000</i>	Piece linear compensation compare value	USPL	LSPL	LSPL	SETA.3
OFFS	<i>0000</i>	Piece linear compensation offset value	150.0	-150.0	0.0	SETA.3

### 9.11 Level 4 (Setting Level) All Parameters Display



※ If no key is pressed within 60 seconds, it will automatically return to LEVEL 1 (user level) and display PV/SV.

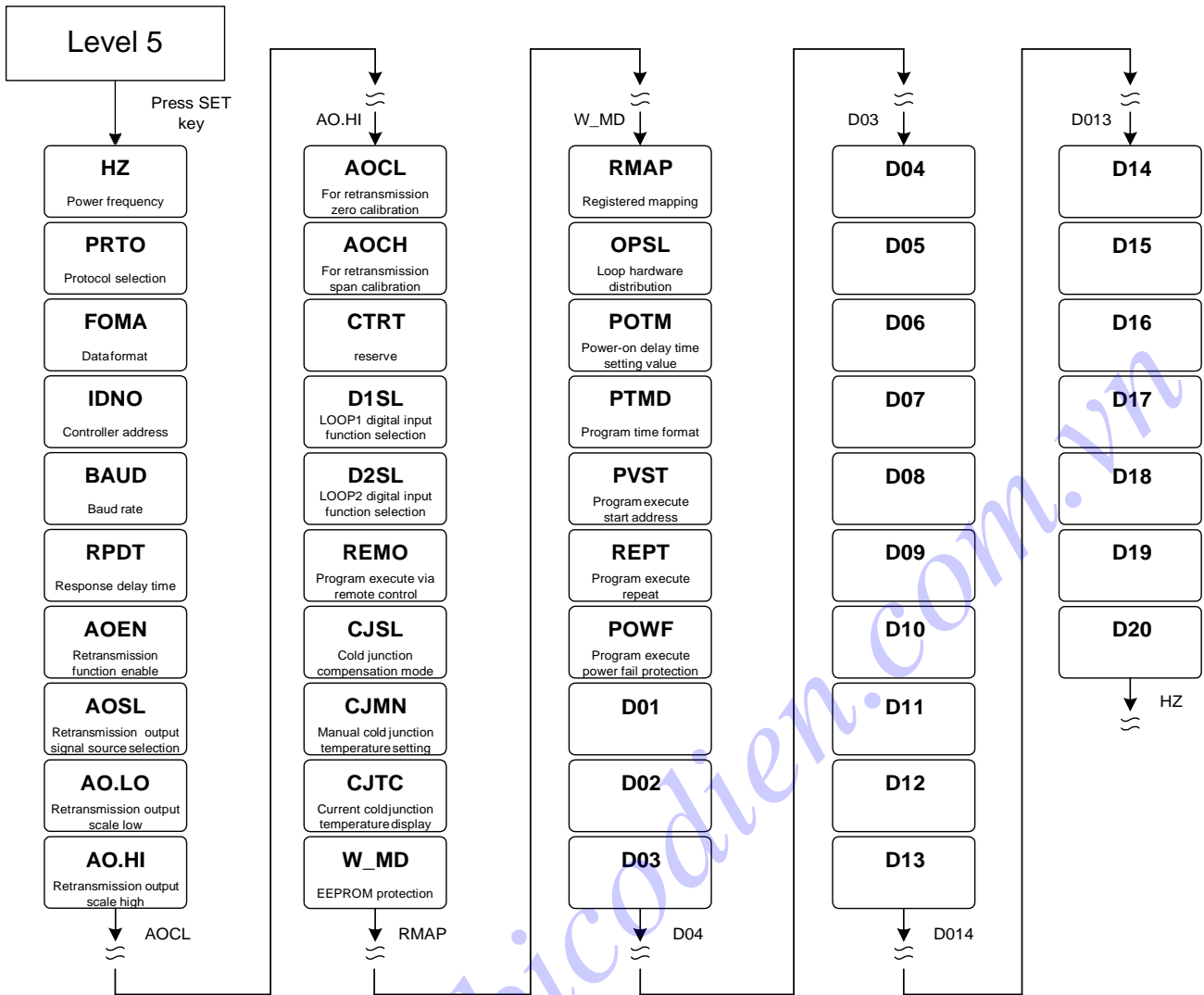
## 9.12 LEVEL\_4 Parameter

Parameter	Symbol	Content	Range		Default	Hide/Display
			MAX	MIN		
SV.TY	<i>SVTY</i>	SV source selection LOOP1 0 : FIX (local SV) 1 : RATE (uart data x RATE/9999) 2 : RAMP (ramp SV) 3 : CASC (cascade control) 4 : ANAG (remote SV) 5 : ANRA (remote SV x RATE/9999) 6 : PROG (program SV) <hr/> LOOP2 0 : FIX (local SV) 1 : RATE (uart data x RATE/9999) 2 : RAMP (ramp SV) 3 : CASC (cascade control)	PROG	FIX	FIX	---
OU.TY	<i>OUTY</i>	Hardware drive selection LOOP1 0 : SING (single output) 1 : DOUB (dual output) 2 : 1SCR (single phase control) 3 : HLSSL (high low signal selection) 4 : FBMV (valve control with feedback) 5 : NFMV (valve control without feedback) <hr/> LOOP2 0 : SING (single output) 1 : DOUB (dual output) 2 : 1SCR (single phase control) 3 : HLSSL (high low signal selection) 4 : NFMV (valve control without feedback)	NFMV	SING	SING	SETB.1
PMAC	<i>PMAC</i>	Automatic valve position adjustment 0 : OFF stop automatic adjust 1 : ON start automatic adjust 2 : E_PB Valve position determined by external button	E_PB	OFF	OFF	OU.TY = FBMV
FKSL	<i>FKSL</i>	A/M key function mode selection 0 : OFF (disable A/M key) 1 : R_S (switch RUN/STOP) 2 : A_M (switch auto/manual) 3 : AT (ON/OFF auto-tuning) 4 : LOOP (switch LOOP1/2) Please refer to <a href="#">Chapter 11.5</a>	LOOP	OFF	A_M	SETB.3
BIAS	<i>BIAS</i>	Reserve	1000	-1000	0	SETB.4
TP_K	<i>TP_K</i>	Reserve	100.0	10.0	15.0	SETB.4
TMSL	<i>TMSL</i>	24 hour timer, mode selection 0 : OFF (24 hour timer function disable) 1 : SWSV (switch SV) 2 : R_S (switch RUN/STOP) 3 : R_SO (switch to run)	R_SO	OFF	OFF	SETC.1
MVRT	<i>MVRT</i>	Motor valve traveling time Time unit : second (Please refer to <a href="#">Chapter 11.9</a> )	150	5	5	OU.TY= FBMV & SETC.2
HYSM	<i>HYSM</i>	Motor valve action main adjustment unit : percentage	5.0	0.0	1.0	OU.TY= FBMV & SETC.2
RH.TC	<i>RH.TC</i>	Dehumidification temperature If PV less than RHTC manipulated value = RHPO (Please refer to <a href="#">Chapter 11.7</a> )	200.0	0.0	125.0	SETC.3
RH.PO	<i>RH.PO</i>	Dehumidification manipulated value 0 : OFF disable dehumidification function Other values : 0.1~100.0 manipulated value	100.0	OFF	OFF	SETC.3

### 9.12 LEVEL\_4 Parameter

Parameter	Symbol	Content	Range		Default	Hide/Display
			MAX	MIN		
RH.TM	<i>5AED</i>	Dehumidification time time format : min.sec	COTI	0.00	15.00	SETC.3
PR.SV	<i>5F5D</i>	Reserve	USPL	LSPL	100.0	SETC.4
HBOP	<i>5B6D</i>	Output percentage of trigger HBA	100.0	0.0	90.0	SET1.1
SET1	<i>5EE1</i>	Parameters Hide/Display	4369	0	---	---
SET2	<i>5EE2</i>	Parameters Hide/Display	4369	0	---	---
SET3	<i>5EE3</i>	Parameters Hide/Display	4369	0	---	---
SET4	<i>5EE4</i>	Parameters Hide/Display	4369	0	---	---
SET5	<i>5EE5</i>	Parameters Hide/Display	4369	0	---	---
SET6	<i>5EE6</i>	Parameters Hide/Display	4369	0	---	---
SET7	<i>5EE7</i>	Parameters Hide/Display	4369	0	---	---
SET8	<i>5EE8</i>	Parameters Hide/Display	4369	0	---	---
SET9	<i>5EE9</i>	Parameters Hide/Display	4369	0	---	---
SETA	<i>5EEA</i>	Parameters Hide/Display	4369	0	---	---
SETB	<i>5EEB</i>	Parameters Hide/Display	4369	0	---	---
SETC	<i>5EEC</i>	Parameters Hide/Display	4369	0	---	---
SETD	<i>5EED</i>	Parameters Hide/Display	4369	0	---	---
SETE	<i>5EEF</i>	Parameters Hide/Display	4369	0	---	---
SETF	<i>5EEF</i>	Parameters Hide/Display	4369	0	---	---

### 9.13 Level 5 (Quality Control) All Parameters Display









※ If no key is pressed within 60 seconds, it will automatically return to LEVEL 1 (user level) and display PV/SV.

## 9.14 LEVEL\_5 Parameter

Parameter	Symbol	Content	Range		Default	Hide/Display
			MAX	MIN		
HZ	<i>BBHZ</i>	Power frequency 0 : 50HZ 1 : 60HZ	60HZ	50HZ	60HZ	---
PRTO	<i>PRTO</i>	Protocol selection 0 : Shihlin Electric 1 : MRTU (Please refer to Communication Manual)	MRTU	Shihlin Electric	MRTU	SETD.1
FOMA	<i>FOMA</i>	Data format 0 : O_81 (parity bit=odd, stop bit=1) 1 : O_82 (parity bit=odd, stop bit=2) 2 : E_81 (parity bit=even, stop bit=1) 3 : E_82 (parity bit=even, stop bit=2) 4 : N_81 (parity bit=none, stop bit=1) 5 : N_82 (parity bit=none, stop bit=2)	N_82	O_81	O_81	SETD.1
IDNO	<i>IDNO</i>	Controller address	254	0	1	SETD.1
BAUD	<i>BAUD</i>	Baud rate 0 : 24(2400) 1 : 48(4800) 2 : 96(9600) 3 : 192(19200) 4 : 384(38400) 5 : 576(57600) 6 : 1152(115200) bps	1152	24	384	SETD.1
RPDT	<i>RPDT</i>	Response delay time(ms) When controller receive master command will delay this setting value then response master	250	0	0	SETD.1
AOEN	<i>AOEN</i>	Retransmission function enable 0 : OFF (Disable) 1 : ON (Enable) (Please refer to <a href="#">Chapter 11.2</a> )	ON	OFF	OFF	SETD.2
AOSL	<i>AOSL</i>	Retransmission output signal source selection 0 : SV1 (Loop1 SV) 1 : PV1 (Loop1 PV) 2 : MV1 (Loop1 main out manipulated value) 3 : SV1R (Loop1 SV reverse) 4 : PV1R (Loop1 PV reverse) 5 : MV1R (Loop1 main out manipulated reverse value) 6 : SV2 (Loop2 SV) 7 : PV2 (Loop2 PV) 8 : MV2 (Loop2 main out manipulated value) 9 : SV2R (Loop2 SV reverse) 10 : PV2R (Loop2 PV reverse) 11 : MV2R (Loop2 main out manipulated reverse value)	MV2R	SV1	PV1	SETD.2
AO.LO	<i>AO.LO</i>	Retransmission output scale low	USPL	LSPL	LSPL	SETD.2
AO.HI	<i>AO.HI</i>	Retransmission output scale high	USPL	LSPL	USPL	SETD.2
AOCL	<i>AOCL</i>	For retransmission zero calibration	9999	0	0	SETD.2
AOCH	<i>AOCH</i>	For retransmission span calibration	9999	0	3600	SETD.2
CTRT	<i>CTRT</i>	Reserve	100	1	1	SETD.3

### 9.14 LEVEL\_5 Parameter

Parameter	Symbol	Content	Range		Default	Hide/Display
			MAX	MIN		
D1SL		LOOP1 digital input function selection 0 : OFF (disable digital input function) 1 : SWSV (switch 4 sets of SV) 2 : R_S (switch RUN/STOP) 3 : A_M (switch Auto/Manual) 4 : AT (ON/OFF auto-tuning) 5 : RESV (ON/OFF remote SV) 6 : AOEN (ON/OFF retransmission) 7 : TIM (ON/OFF timer) 8 : CNT(counter) 9 : PROG (run/reset program) (Please refer to <a href="#">Chapter 11.6</a> )	PROG	OFF	OFF	SETD.3
D2SL		LOOP2 digital input function selection 0 : OFF (disable digital input function) 1 : SWSV (switch 4 sets of SV) 2 : R_S (switch RUN/STOP) 3 : A_M (switch Auto/Manual) 4 : AT (ON/OFF auto-tuning) 5 : RESV (ON/OFF remote SV) 6 : AOEN (ON/OFF retransmission) 7 : TIM (ON/OFF timer) 8 : CNT(counter)	CNT	OFF	OFF	SETD.3
REMO		Program execute via remote control OFF : program execute by key ON : program execute by digital input or communication	ON	OFF	OFF	SETD.4
CJSL		Cold junction compensation mode selection 0 : AUTO (auto cold junction compensation) 1 : MAN (manual cold junction compensation)	MAN	AUTO	AUTO	SETE.1
CJMN		Manual cold junction temperature setting	50.0	-10.0	25	SETE.1
CJTC		Current cold junction temperature display	---	---	---	SETE.1
W_MD		EEPROM protection 0 : OFF communication write command only write to CPU RAM 1 : ON communication write command write to CPU RAM and EEPROM	ON	OFF	ON	SETE.1
RMAP		Registered mapping 0 : OFF (disable registered mapping) 1 : FY (mapping to FY series memory address) 2 : FE (mapping to FE series memory address) 3 : FA (mapping to FA series memory address)	5	0	0	SETE.1
OPSL		Loop hardware distribution 0 : LOP1 loop1 main out drive out1 hardware, sub out drive out2 hardware (use for dual output) 1 : LOP2 loop2 main out drive out1 hardware, sub out drive out2 hardware (use for dual output) 2 : LP12 loop1 main out drive out1 hardware, loop2 main out drive out2 hardware (use for single output)	LP12	LOP1	LP12	SETE.1



## 9.14 LEVEL\_5 Parameter

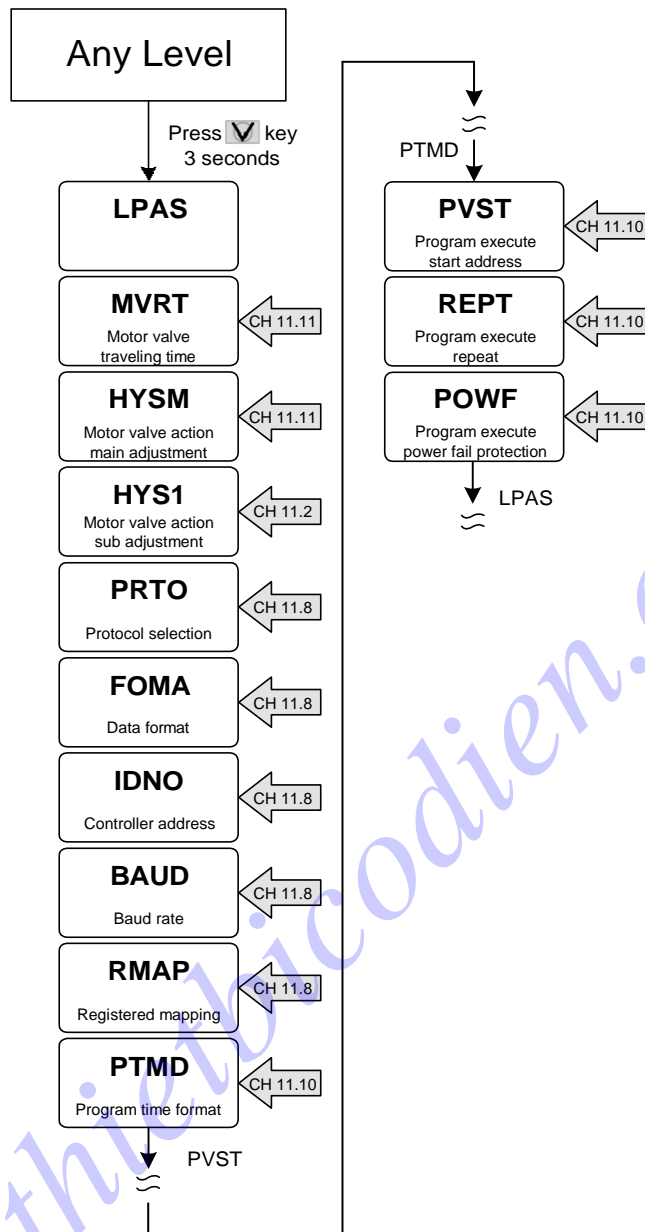
Parameter	Symbol	Content	Range		Default	Hide/Display
			MAX	MIN		
POTM	<i>P000</i>	System steady state time output and alarm function will enable after waiting for this setting value when powe-on	COTI	0.00	0.05	SETE.1
PTMD	<i>P000</i>	Program time format 0 : SEC (minute.second) 1 : MIN (hour.minute) 2 : 50MS (50ms)	50MS	SEC	MIN	SETE.1
PVST	<i>P05E</i>	Program execute start address 0 : OFF (execute from zero) 1 : ON (execute from current PV)	ON	OFF	ON	SETE.1
REPT	<i>F0PE</i>	Program execute repeat 0 : OFF (disable repeat function) Other : Program execute repeat number of times	9999	OFF	OFF	SETE.1
POWF	<i>P00F</i>	Program execute power fail protection 0 : OFF (disable power fail protection) 1 : ON (enable power fail protection)	ON	OFF	OFF	SETE.1
D01	<i>001</i>	Reserve	32767	-32768	0	SETE.2
D02	<i>002</i>	Reserve	32767	-32768	0	SETE.2
D03	<i>003</i>	Reserve	32767	-32768	0	SETE.2
D04	<i>004</i>	Reserve	32767	-32768	0	SETE.2
D05	<i>005</i>	Reserve	32767	-32768	0	SETE.2
D06	<i>006</i>	Reserve	32767	-32768	0	SETE.2
D07	<i>007</i>	Reserve	32767	-32768	0	SETE.2
D08	<i>008</i>	Reserve	32767	-32768	0	SETE.2
D09	<i>009</i>	Reserve	32767	-32768	0	SETE.2
D10	<i>010</i>	Reserve	32767	-32768	0	SETE.2
D11	<i>011</i>	Reserve	32767	-32768	0	SETE.2
D12	<i>012</i>	Reserve	32767	-32768	0	SETE.2
D13	<i>013</i>	Reserve	32767	-32768	0	SETE.2
D14	<i>014</i>	Reserve	32767	-32768	0	SETE.2
D15	<i>015</i>	Reserve	32767	-32768	0	SETE.2
D16	<i>016</i>	Reserve	32767	-32768	0	SETE.2
D17	<i>017</i>	Reserve	32767	-32768	0	SETE.2
D18	<i>018</i>	Reserve	32767	-32768	0	SETE.2
D19	<i>019</i>	Reserve	32767	-32768	0	SETE.2
D20	<i>020</i>	Reserve	32767	-32768	0	SETE.2

### 9.15 Fast Parameter Access

WT controller provides a fast parameter access operation, easy for users to quickly access communication group, program group, motor valve group related parameters

Enter fast parameter access operation: press down key for 3 seconds at any level

Leave fast parameter access operation: press down key for 3 seconds at fast level



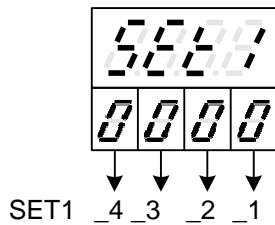
## 9.16 Fast Level Parameter

Parameter	Symbol	Content	Range		Default	Hide/Display
			MAX	MIN		
INPT	<i>INPT</i>	Input type selection (please refer to <a href="#">Chapter 3 Input Range Table</a> )	AN6	K1	K1	---
MVRT	<i>MVRT</i>	Motor valve traveling time Time unit : second (Please refer to <a href="#">Chapter 11.9</a> )	150	5	5	OU.TY=FBMV & SETC.2
CYT1	<i>CYT1</i>	Motor valve action interval time. Time unit : second	10	0	5	---
HYSM	<i>HYSM</i>	Motor valve action main adjustment unit : percentage	5.0	0.0	1.0	OU.TY=FBMV & SETC.2
HYS1	<i>HYS1</i>	Motor valve action sub adjustment unit : percentage	HYSM	0.0	0.5	OU.TY=FBMV or OU.TY=NFMV
PMAC	<i>PMAC</i>	Automatic valve position adjustment 0 : OFF stop automatic adjust 1 : ON start automatic adjust 2 : E_PB Valve position determined by external button	E_PB	OFF	OFF	OU.TY = FBMV
RH.TC	<i>RH.TC</i>	Dehumidification temperature If PV less than RH.TC manipulated value = RHPO (Please refer to <a href="#">Chapter 11.7</a> )	200.0	0.0	125.0	SETC.3
RH.PO	<i>RH.PO</i>	Dehumidification manipulated value 0 : OFF disable dehumidification function Other values : 0.1~100.0 manipulated value	100.0	OFF	OFF	SETC.3
RH.TM	<i>RH.TM</i>	Dehumidification time time format : min.sec	COTI	0.00	15.00	SETC.3
PRTO	<i>PRTO</i>	Protocol selection 0 : Shihlin Electric 1 : MRTU (Please refer to Communication Manual)	MRTU	Shihlin Electric	MRTU	SETD.1
FOMA	<i>FOMA</i>	Data format 0 : O_81 (parity bit=odd, stop bit=1) 1 : O_82 (parity bit=odd, stop bit=2) 2 : E_81 (parity bit=even, stop bit=1) 3 : E_82 (parity bit=even, stop bit=2) 4 : N_81 (parity bit=none, stop bit=1) 5 : N_82 (parity bit=none, stop bit=2)	N_82	O_81	O_81	SETD.1
IDNO	<i>IDNO</i>	Controller address	254	0	1	SETD.1
BAUD	<i>BAUD</i>	Baud rate 0 : 24(2400) 1 : 48(4800) 2 : 96(9600) 3 : 192(19200) 4 : 384(38400) 5 : 576(57600) 6 : 1152(115200) bps	1152	24	384	SETD.1
RPDT	<i>RPDT</i>	Response delay time(ms) When controller receive master command will delay this setting value then response master	250	0	0	SETD.1

## 9.16 Fast Level Parameter

Parameter	Symbol	Content	Range		Default	Hide/Display
			MAX	MIN		
RMAP	<i>RMAP</i>	Registered mapping 0 : OFF (disable registered mapping) 1 : FY (mapping to FY series memory address) 2 : FE (mapping to FE series memory address) 3 : FA (mapping to FA series memory address)	5	0	0	SETE.1
PTMD	<i>PTMD</i>	Program time format 0 : SEC (minute.second) 1 : MIN (hour.minute) 2 : 50MS (50ms)	50MS	SEC	MIN	SETE.1
PVST	<i>PVSE</i>	Program execute start address 0 : OFF (execute from zero) 1 : ON (execute from current PV)	ON	OFF	ON	SETE.1
REPT	<i>REPT</i>	Program execute repeat 0 : OFF (disable repeat function) Other : Program execute repeat number of times	9999	OFF	OFF	SETE.1
POWF	<i>POWF</i>	Program execute power fail protection 0 : OFF (disable power fail protection) 1 : ON (enable power fail protection)	ON	OFF	OFF	SETE.1
HBOP	<i>HBOP</i>	Output percentage of trigger HBA	100.0	0.0	90.0	SET1.1

## 10. Parameters Hide/Display Table On Level 4



5220	SET1_1	0	hide	HBCU HBSV HBTM HBOP
		1	display	HBCU HBSV HBTM HBOP
	SET1_2	0	hide	AL1H AL1L
		1	display	AL1H AL1L
	SET1_3	0	hide	AL2H AL2L
		1	display	AL2H AL2L
	SET1_4	0	hide	AL3H AL3L
		1	display	AL3H AL3L
5222	SET2_1	0	hide	SV1 SV2
		1	display	SV1 SV2
	SET2_2	0	hide	SV3 SV4
		1	display	SV3 SV4
	SET2_3	0	hide	TIM
		1	display	TIM
	SET2_4	0	hide	(CNT→ LOOP1) (PW→ LOOP2)
		1	display	(CNT→ LOOP1) (PW→ LOOP2)
5223	SET3_1	0	hide	CUTM ONTM OFTM
		1	display	CUTM ONTM OFTM
	SET3_2	0	hide	A_M
		1	display	A_M
	SET3_3	0	hide	AT
		1	display	AT
	SET3_4	0	hide	R_S
		1	display	R_S
5224	SET4_1	0	hide	WAIT
		1	display	WAIT
	SET4_2	0	hide	DTM1 DTM2 DTM3 DTM4
		1	display	DTM1 DTM2 DTM3 DTM4
	SET4_3	0	hide	DT.ST
		1	display	DT.ST
	SET4_4	0	hide	PV1 PV2
		1	display	PV1 PV2
5225	SET5_1	0	hide	reserve
		1	display	reserve
	SET5_2	0	hide	MOLH MOLL
		1	display	MOLH MOLL
	SET5_3	0	hide	reserve
		1	display	reserve
	SET5_4	0	hide	SOLH SOLL
		1	display	SOLH SOLL
5226	SET6_1	0	hide	COUT
		1	display	COUT
	SET6_2	0	hide	AT.VL SS.PO
		1	display	AT.VL SS.PO
	SET6_3	0	hide	OPSF RC.TO
		1	display	OPSF RC.TO
	SET6_4	0	hide	LOOP L2.SV MOLH
		1	display	LOOP L2.SV MOLH
5227	SET7_1	0	hide	AN.LO AN.HI DP
		1	display	AN.LO AN.HI DP
	SET7_2	0	hide	HI.RA LO.RA
		1	display	HI.RA LO.RA
	SET7_3	0	hide	LSPL USPL
		1	display	LSPL USPL
	SET7_4	0	hide	ALD1 ALT1 HYA1 SEA1
		1	display	ALD1 ALT1 HYA1 SEA1

<i>SEEB</i>	SET8_1	0	hide	ALD2 ALT2 HYA2 SEA2
		1	display	ALD2 ALT2 HYA2 SEA2
	SET8_2	0	hide	ALD3 ALT3 HYA3 SEA3
		1	display	ALD3 ALT3 HYA3 SEA3
	SET8_3	0	hide	MOCL MOCH
		1	display	MOCL MOCH
	SET8_4	0	hide	SOCL SOCH
		1	display	SOCL SOCH

<i>SEEB</i>	SET9_1	0	hide	MV.SF
		1	display	MV.SF
	SET9_2	0	hide	RC.TI
		1	display	RC.TI
	SET9_3	0	hide	UNIT
		1	display	UNIT
	SET9_4	0	hide	OUTM
		1	display	OUTM

<i>SEEB</i>	SETA_1	0	hide	SV.OS
		1	display	SV.OS
	SETA_2	0	hide	PV.OS PV.OH
		1	display	PV.OS PV.OH
	SETA_3	0	hide	MLNB COMP OFFS
		1	display	MLNB COMP OFFS
	SETA_4	0	hide	Super SV function disable
		1	display	Super SV function enable

<i>SEEB</i>	SETB_1	0	hide	OU.TY
		1	display	OU.TY
	SETB_2	0	hide	reserve
		1	display	reserve
	SETB_3	0	hide	FKSL
		1	display	FKSL
	SETB_4	0	hide	BASE TP_K
		1	display	BASE TP_K

<i>SEEB</i>	SETC_1	0	hide	TMSL
		1	display	TMSL
	SETC_2	0	hide	MVRT HYSM
		1	display	MVRT HYSM
	SETC_3	0	hide	RH.TC RH.PO RH.TM
		1	display	RH.TC RH.PO RH.TM
	SETC_4	0	hide	PR.SV
		1	display	PR.SV

<i>SEEB</i>	SETD_1	0	hide	PRTO FOMA IDNO BAUD RPDT
		1	display	PRTO FOMA IDNO BAUD RPDT
	SETD_2	0	hide	AOEN AOSL AO.LO AO.HI AOCL AOCH
		1	display	AOEN AOSL AO.LO AO.HI AOCL AOCH
	SETD_3	0	hide	CTRTR D1SL D2SL
		1	display	CTRTR D1SL D2SL
	SETD_4	0	hide	REMO
		1	display	REMO

<i>SEEB</i>	SETE_1	0	hide	CJSL CJMN CJTC W_MD RMAP OPPL POTM
		1	display	CJSL CJMN CJTC W_MD RMAP OPPL POTM
	SETE_2	0	hide	D01 D02 D03 D04 D05 D06 D07
				D08 D09 D10 D11 D12 D13 D14
		1	display	D15 D16 D17 D18 D19 D20
				D01 D02 D03 D04 D05 D06 D07
	SETE_3	0	hide	reserve
		1	display	reserve
SETE_4	0	hide	RAMP	
	1	display	RAMP	

<i>SEEB</i>	SETF_1	0	valve control close Relay b contact out
		1	valve control close Relay a contact out
	SETF_2	0	in abnormal condition MOUT = SS.PO
		1	in abnormal condition MOUT = 0
	SETF_3	0	PV Hysteresis_mode disable
		1	PV Hysteresis_mode enable
	SETF_4	0	disable piece linear compensation function
		1	enable piece linear compensation function

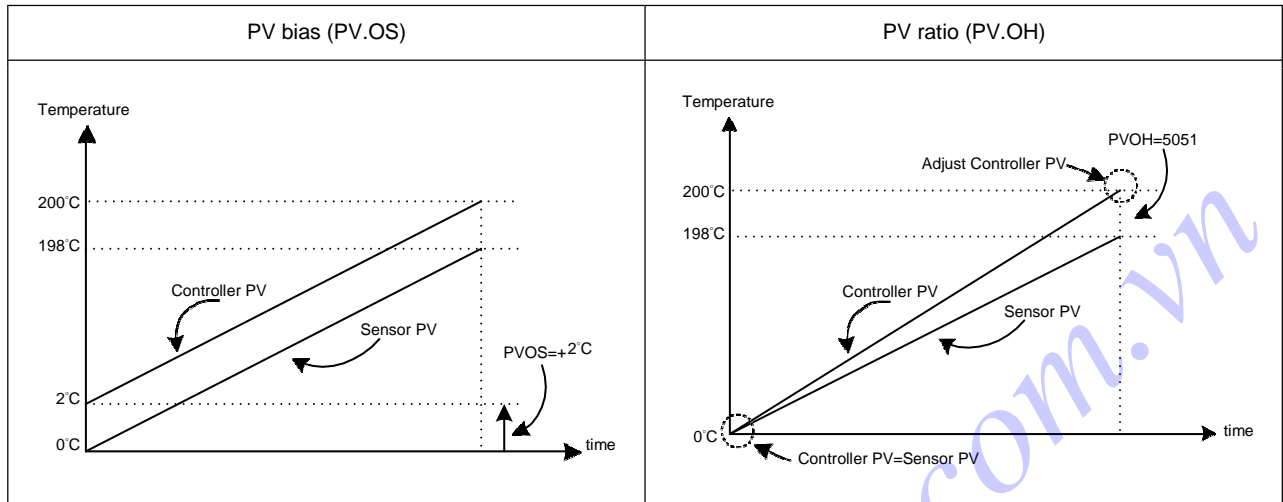
# 11. Functional Descriptions

## 11.1 Input Calibration

### Description

The WT series controller offers two methods for input calibration, PV bias (PV.OS) and PV ratio (PV.OH) functions to correct the deviation of each sensor, as well as PV difference between controllers.

### Functional Diagram



The related parameter of input calibration are as below:

Parameter	Symbol	Content	Range		Default	Level	Hide/Display
			MAX	MIN			
PV.OS	<i>PVOS</i>	PV bias(for zero) $PV = PV \times (PV.OH / 5000) + PV.OS$	199.9	-199.9	0	Level 3	SETA.2
PV.OH	<i>PVOH</i>	PV bias(for span) $PV = PV \times (PV.OH / 5000) + PV.OS$	9999	0	5000	Level 3	SETA.2

### Example 1

PV bias (PV.OS) adds bias to the Measured value(PV):

When two controllers measure the temperature of the same type of load, the measured values of the respective characteristics of the sensors are displayed as

Controller A : 200°C Controller B : 195°C

As shown above, Controller B is compensated by PV offset (PV.OS). The PV.OS parameter value must be corrected by +5°C. The display value will be changed to 200°C, Same as Controller A, but Controller B will show 5°C at 0°C.

### Parameter Setting

LOOP	Level	Parameter	Set value	Description
1	4	SETA.2	1	Display PV.OS / PV.OH
1	3	PV.OS	5	PV adds +5°C
1	3	PV.OH	5000	PV ratio unchanging

### Example 2

PV ratio (PV.OH) is a multiplier to be applied to the Measured value(PV):

When two controllers measure the temperature of the same type of load, the measured values of the respective characteristics of the sensors are displayed as

Controller A : 200°C Controller B : 195°C

As shown above, if Controller B is compensated by the PV ratio (PV.OH), then the PV.OH parameter value is adjusted to display at 200°C. Consistent with Controller A, Controller B will show 0°C at 0°C.

### Parameter Setting

LOOP	Level	Parameter	Set value	Description
1	4	SETA.2	1	Display PV.OS / PV.OH
1	3	PV.OS	0	PV bias unchanging
1	3	PV.OH	5129	PV ratio=(5129/5000)=1.0258

## 11.2 Retransmission

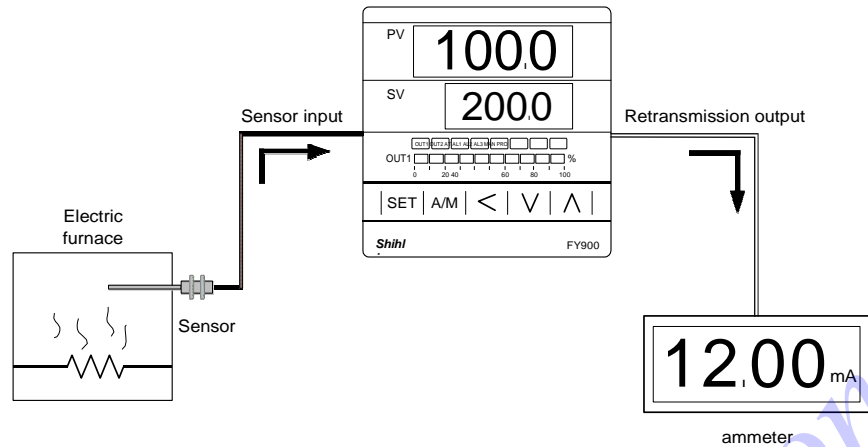
### Description

The retransmission function of the WT series controller can provide digital values for parameters such as SV1, PV1, MV1, SV1R, PV1R, MV1R, SV2, PV2, MV2, SV2R, PV2R, MV2R, etc.

Analog signals are transmitted to external devices according to the set range (EX: PLC AI module, inverter, etc.).

transmission output signal selectable: 4~20mA, 0~20mA, 0~5V, 0~10V, 1~5V, 2~10V

### Functional Diagram



The related parameter of Transmission are as below:

Parameter	Symbol	Content	Range		Default	Level	Hide/Display
			MAX	MIN			
AOEN	<i>AOEN</i>	Retransmission function enable 0 : OFF (Disable) 1 : ON (Enable)	ON	OFF	OFF	Level 5	SETD.2
AOSEL	<i>AOSEL</i>	Retransmission output signal source selection 0 : SV1 (Loop1 SV) 1 : PV1 (Loop1 PV) 2 : MV1 (Loop1 main out manipulated value) 3 : SV1R (Loop1 SV reverse) 4 : PV1R (Loop1 PV reverse) 5 : MV1R (Loop1 main out manipulated reverse value) 6 : SV2 (Loop2 SV) 7 : PV2 (Loop2 PV) 8 : MV2 (Loop2 main out manipulated value) 9 : SV2R (Loop2 SV reverse) 10 : PV2R (Loop2 PV reverse) 11 : MV2R (Loop2 main out manipulated reverse value)	MV2R	SV1	PV1	Level 5	SETD.2
AO.LO	<i>AO.LO</i>	Retransmission output scale low	USPL	LSPL	LSPL	Level 5	SETD.2
AO.HI	<i>AO.HI</i>	Retransmission output scale high	USPL	LSPL	USPL	Level 5	SETD.2
AOCL	<i>AOCL</i>	For retransmission zero calibration	9999	0	0	Level 5	SETD.2
AOCH	<i>AOCH</i>	For retransmission span calibration	9999	0	3600	Level 5	SETD.2

### Examples

Assume the input range (LSPL & USPL) = -50.0~600.0, and the retransmission range (AO.LO & AO.HI) = 50.0~200.0, Retransmit PV1 (AOSEL)

When the PV1 value is between 50.0 and 200.0, the retransmission signal is based on the PV1 value, the analog signal is presented.

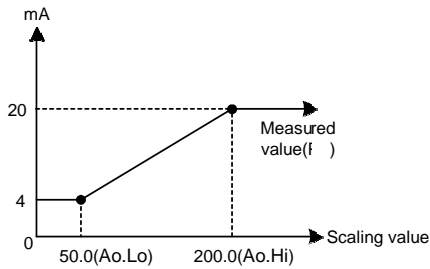
When the PV1 is less than 50.0, the retransmission signal remains at 4mA

When the PV1 value is greater than 200.0, the retransmission signal remains at 20mA



Parameter Setting

LOOP	Level	Parameter	Set value	Description
---	5	AOEN	ON	Retransmission function enable
---	5	AOSL	PV1	Retransmit the PV
---	5	AO.LO	-50.0	Retransmission range lower limit
---	5	AO.HI	600.0	Retransmission range upper limit
---	5	AOCL	3133	Retransmission signal low point calibration value (each controller calibrate value is different)
---	5	AOCH	3508	Retransmission signal high point calibration value (each controller calibrate value is different)



Note

1. To order TRS function, please confirm the type of retransmission output signal and retransmit signal range
2. The user can select the source to be transmitted according to the parameter AOSL. The factory default is to retransmit the PV1.
3. Modify the parameter INPT/LSPL/USPL will reset the retransmission range AO.LO / AO.HI
4. AOCL & AOCH are the calibration parameters of the re-transmission signal. It has been calibrated before leaving the factory. Do not change this parameter value.
5. The user only need to set AOSL / AO.LO / AO.HI three parameters, the rest of the parameters will be set and calibrated at the factory.

www.thietbicodien.com.vn

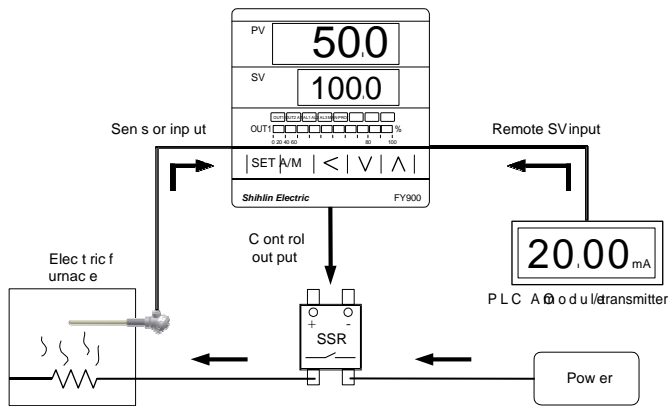
### 11.3 Remote SV

#### Description

Remote SV functions as an analog signal (4~20mA or 0~10V) generated by external devices (EX: PLC AO module, transmitter) to the Remote SV terminal of the controller, to change the SV(LOOP1) with a preset range.

Remote SV signal selection: 4~20mA, 0~20mA, 0~5V, 0~10V, 1~5V, 2~10V

#### Function Diagram



The related parameter of Remote SV are as below:

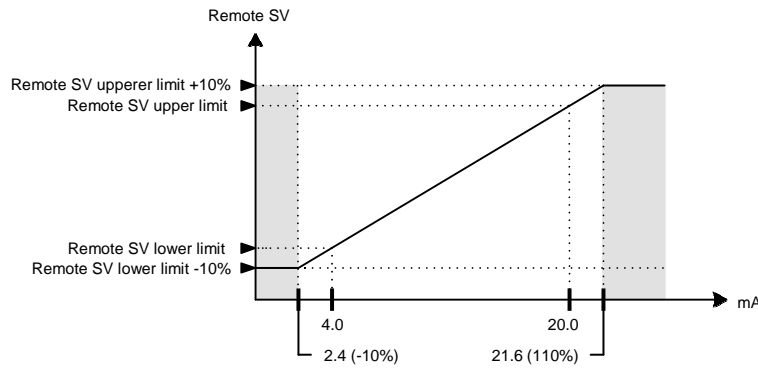
SV.TY	5889	SV source selection LOOP1 0 : FIX (local SV) 1 : RATE (uart data x RATE/9999) 2 : RAMP (ramp SV) 3 : CASC (cascade control) 4 : ANAG (remote SV) 5 : ANRA (remote SV x RATE/9999) 6 : PROG (program SV) ..... LOOP2 0 : FIX (local SV) 1 : RATE (uart data x RATE/9999) 2 : RAMP (ramp SV) 3 : CASC (cascade control)	PROG	FIX	FIX	Level 4	SETA.4
INPT	88PE	Input type selection (please refer to <a href="#">Chapter 3 Input Range Table</a> )	AN6	K1	K1	Level 3	---
AN.LO	88LB	Analog input zero calibration, only available in linear input (Please refer to <a href="#">chapter 15.3</a> )	9999	-1999	0	Level 3	SET7.1
AN.HI	88HA	Analog input span calibration, only available in linear input, hex display (Please refer to <a href="#">chapter 15.3</a> )	0x7FFF	0x0000	0x5FFF	Level 3	SET7.1
DP	888P	Decimal point position (only available in linear signal input) 0 : 0000 1 : 000.0 2 : 00.00 3 : 0.000	0.000	0000	0000	Level 3	SET7.1
HI.RA	888R	Input scale high(for analog input)	9999	-1999	---	Level 3	SET7.2
LO.RA	888R	Input scale low(for analog input)	9999	-1999	---	Level 3	SET7.2

**Examples**

Assume LOOP1 input signal is K1 and its range is -50.0~600.0. When an external analog signal is input to the Remote SV terminal, the signal will be based on the range presents linear display of SV parameters in LOOP1

When the signal input value is less than 2.4mA, the PV position shows nnnn, indicating that the signal of Remote SV is lower than the lower limit value

When the signal input value is greater than 21.6mA, the PV position shows uuuu, indicating that the signal of Remote SV is higher than the upper limit value



**Parameter Setting**

LOOP	Level	Parameter	Set value	Description
1	4	SV.TY	ANAG	SV(LOOP1) provided by external analog signal
2	3	INPT	AN4	Remote SV input signal is 4~20mA
2	3	AN.LO	744	Remote SV signal zero calibration value (each controller calibrate value is different)
2	3	AN.HI	0x657C	Remote SV signal span calibration value (each controller calibrate value is different)
2	3	HI.RA	600.0	LOOP2 input scale high (same as USPL of LOOP1)
2	3	LO.RA	-50.0	LOOP2 input scale low (same as LSPL of LOOP1)

**Notes**

1. To order Remote SV function, please confirm signal type and Remote SV input range first.
2. Modify the parameter INPT & UNIT will reset the input range.
3. The AN.LO and AN.HI of LOOP2 are the calibration parameters of Remote SV. It has been calibrated before leaving the factory. Please do not change this parameter.

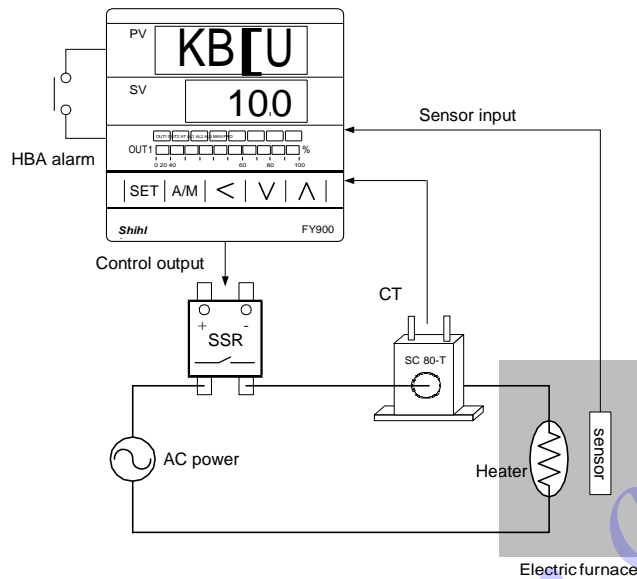
## 11.4 Heater Break Alarm

### Description

The HBA (Heater-Break-Alarm) function measures the heater current and displays the measured current value on the parameter HBCU so that the heater status can be monitored at any time.

When it is detected that the heater is disconnected or the heater current is abnormally reduced, an alarm message may be immediately output to notify the user.

### Function Diagram



The related parameter of Heater Break Alarm are as below :

Parameter	Symbol	Content	Range		Default	Level	Hide/Display
			MAX	MIN			
HBCU	<i>HBCU</i>	HBA current display unit : ampere(A)	---	---	---	Level 1	SET1.1 & ALDX=HBA
HBSV	<i>HBSV</i>	HBA current setting unit : ampere(A)	100.0	0.0	1.0	Level 1	SET1.1 & ALDX=HBA
HBTM	<i>HBTM</i>	HBA disconnection set time unit : second(S)	5999	0	10	Level 1	SET1.1 & ALDX=HBA
HBOP	<i>HBOP</i>	Output percentage of trigger HBA	100.0	0.0	90.0	Level 4	SET1.1 & ALDX=HBA

### HBA operating conditions

1. Heater current(HBCU) is less than the setting of HBSV
2. OUT1 output exceeds HBOP setting value
3. The conditions of 1 & 2 above are established and continue to exceed the set number of seconds for HBTM

### Parameter Setting

LOOP	Level	Parameter	Set value	Description
1	4	SET1.1	1	Display HBCU/HBSV/HBTM
1	3	ALD1	HBA	HBA Alarm
1	1	HBCU	---	Heater Current Value Display
1	1	HBSV	1.0	HBA Action Current Set Value (unit: A)
1	1	HBTM	10	HBA Action Time Set Value (unit: Second)
1	4	HBOP	90.0	Output percentage of trigger HBA
2	3	AN.LO	-12	Current zero calibration value (each controller calibrate value is different)
2	3	AN.HI	0x4527	Current span calibration value (each controller calibrate value is different)

**Examples**

Heating system with SSR as control element, set HBSV=1.0, HBTM=10, HBOP=90.0

1. The heater current display value HBCU = 0.0 when a heater disconnection occurs  
 →The heater current is less than the set value of HBSV=1.0. At this time, condition 1 is satisfied.
2. The heater no longer heats when the heater disconnection occurs, and the gap between the PV and SV will become larger and larger.  
 → The manipulated value of OUT1 is also getting larger and larger, and eventually exceeds 90%. At this time, condition 2 is satisfied.
3. The AL1 alarm will be activated when both 1 & 2 conditions are met and continue for more than 10 seconds of the HBTM setting.

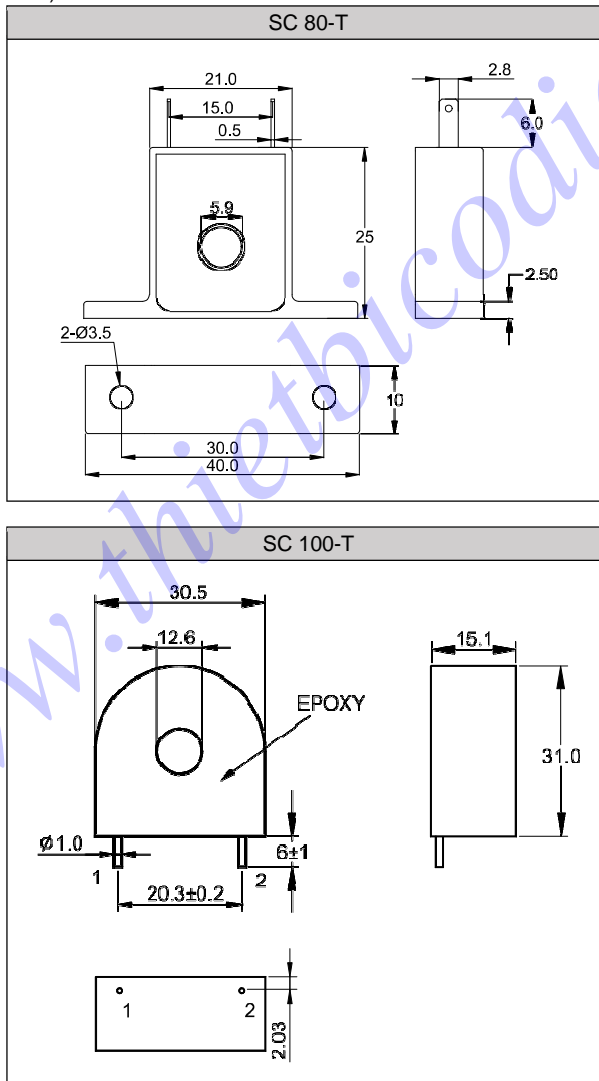
**Notes**

1. To order the HBA function, please confirm the control mode, only available in SSR/RELAY control linear signal (mA or V) Not applicable
2. AN.LO & AN.HI is the current signal calibration parameters. It has been calibrated before leaving the factory. Do not change this parameter value.
3. The user only needs to set two parameters of HBSV & HBTM & HBOP, the rest of the parameters will be set & calibrated at the factory
4. CT has two specifications: SC 80-T & SC 100-T. Please check heater wire diameter and specify required CT.

**CT Specifications**

Item	Specifications	
	SC 80-T	SC 100-T
Model number	SC 80-T	SC 100-T
Turns Ratio	800:1	1000:1
Max. continuous current	80A	100A
Accuracy	3%	5%
Aperture	5.9mm	12.6mm
Dielectric Withstanding Voltage(Hi-pot)	2500Vrms / 1 minute	4000Vrms / 1 minute
Vibration resistance	50 HZ, 98 m/s <sup>2</sup>	
Weight	Approx. 12 g	Approx. 30 g

Dimensions (UNIT : mm)



## 11.5 A/M Key

### Description

The A/M key of WT600/700/800/900 is "programmable function key". According to the setting value of parameter FKSL, it directly operates various events on the key.

With a two-second delay to prevent users from touching it inadvertently, it takes two seconds for the event to start.

A/M Key Mode table

LOOP	Parameter	Set value	Description
√	FKSL	OFF (0)	No action
		R_S (1)	Switch RUN/STOP mode 
		A_M (2)	Switch AUTO/MMAN mode 
		AT (3)	Autotuning ON/OFF mode 
		LOOP (4)	Switch LOP1/ LOP2 

※ FKSL of LOOP1/LOOP2 should be set as LOOP

Example

1. Use A/M key to switch loop1 manual/auto mode

Parameter Setting

LOOP	Level	Parameter	Set value	Description
1	4	SETB.3	1	Display loop1 FKSL
1	4	FKSL	A_M	Switch to manual/auto mode

2. Use A/M key to switch loop2 manual/auto mode

Parameter Setting

LOOP	Level	Parameter	Set value	Description
2	4	SETB.3	1	Display loop2 FKSL
2	4	FKSL	A_M	Switch to manual/auto mode

3. Use A/M key to switch loop1 run/stop mode

Parameter Setting

LOOP	Level	Parameter	Set value	Description
1	4	SETB.3	1	Display loop1 FKSL
1	4	FKSL	R_S	Switch to RUN/STOP mode

4. Use A/M key to switch loop2 activate/stop mode

Parameter Setting

LOOP	Level	Parameter	Set value	Description
2	4	SETB.3	1	Display loop2 FKSL
2	4	FKSL	R_S	Switch to RUN/STOP mode

5. Use A/M key to switch loop1/loop2

Parameter Setting

LOOP	Level	Parameter	Set value	Description
1	4	SETB.3	1	Display loop1 FKSL
1	4	FKSL	LOOP	Switch loop1 / loop2
2	4	SETB.3	1	Display loop2 FKSL
2	4	FKSL	LOOP	Switch loop1 / loop2

Notes

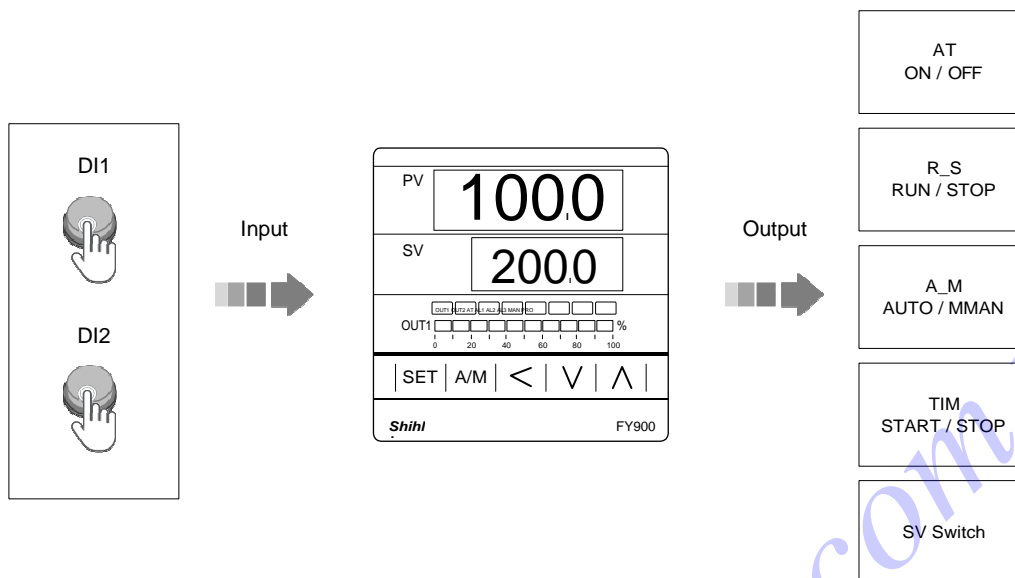
1. If the controller has DI function, please avoid setting the parameters D1SL/D2SL and FKSL to the same function mode to avoid confusion
2. A/M key factory default is A\_M, switch manual/auto mode

## 11.6 Digital Input

### Description

The WT controller provides two-point digital inputs that can be used to switch SV values through external switches or perform various events.

### Function Diagram



The related parameter of Digital Input are as below:

Parameter	Symbol	Content	Range		Default	Level	Hide/Display
			MAX	MIN			
D1SL	8152	LOOP1 digital input function selection 0 : OFF (disable digital input function) 1 : SWSV (switch 4 sets of SV) 2 : R_S (switch RUN/STOP) 3 : A_M (switch Auto/Manual) 4 : AT (ON/OFF auto-tuning) 5 : RESV (ON/OFF remote SV) 6 : AOEN (ON/OFF retransmission) 7 : TIM (ON/OFF timer) 8 : CNT(counter) 9 : PROG (run/reset program)	PROG	OFF	OFF	Level 5	SETD.3
D2SL	8252	LOOP2 digital input function selection 0 : OFF (disable digital input function) 1 : SWSV (switch 4 sets of SV) 2 : R_S (switch RUN/STOP) 3 : A_M (switch Auto/Manual) 4 : AT (ON/OFF auto-tuning) 5 : RESV (ON/OFF remote SV) 6 : AOEN (ON/OFF retransmission) 7 : TIM (ON/OFF timer) 8 : CNT(counter)	CNT	OFF	OFF	Level 5	SETD.3
SV1	8501	First set value (only available in DI function)	USPL	LSPL	0	Level 1	SET2.1
SV2	8502	Second set value (only available in DI function)	USPL	LSPL	0	Level 1	SET2.1
SV3	8503	Third set value (only available in DI function)	USPL	LSPL	0	Level 1	SET2.2
SV4	8504	Fourth set value (only available in DI function)	USPL	LSPL	0	Level 1	SET2.2



DI Mode table

Mode	Function Description	
OFF	D1SL=OFF	D2SL=OFF
	Disable Loop1 digital input function	Disable Loop2 digital input function
SWSV	D1SL= SWSV	D2SL= SWSV
	SV=SV1-SV4 Please refer to SV Switch table ※ If D1SL is set to SWSV, Please set D2SL to OFF ※ If D2SL is set to SWSV, Please set D1SL to OFF	
R_S	D1SL= R_S	D2SL= R_S
	Switch loop1 RUN/STOP ON 	Switch loop2 RUN/STOP ON 
A_M	D1SL= A_M	D2SL= A_M
	Switch loop1 AUTO/MMAN ON 	Switch loop2 AUTO/MMAN ON 
AT	D1SL= AT	D2SL= AT
	Switch loop1 autotuning ON/OFF ON 	Switch loop2 autotuning ON/OFF ON 
RESV	D1SL= RESV	
	Switch loop1 SV to Local SV or Remote SV ON  ※ D2SL should be set as OFF or other modes	
AOEN	D1SL= AOEN	D2SL= AOEN
	Switch Retransmission ON/OFF ON  ※ If D2SL is set to AOEN, Please set D1SL to OFF or other modes	Switch Retransmission ON/OFF ON  ※ If D1SL is set to AOEN, Please set D2SL to OFF or other modes
TIM	D1SL= TIM	D2SL= TIM
	Switch loop1 timer ON/OFF ON 	Switch loop2 timer ON/OFF ON 

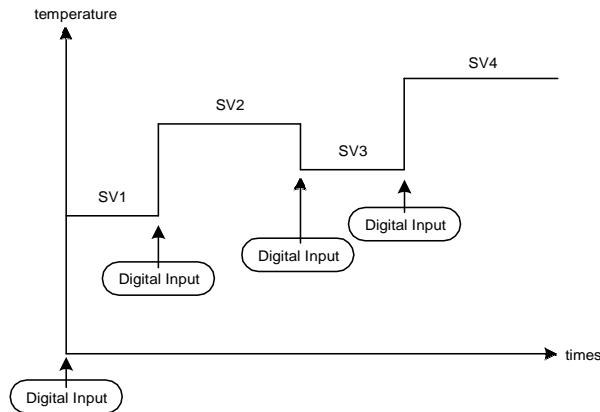
Mode	Function Description	
CNT	D1SL= CNT	D2SL= OFF
	<p>※ DISL= CNT(counter mode), D2SL is automatically set to OFF</p>	
PROG	D1SL= PROG	
	<p>Program execute</p> <p>※ In the PROG mode, please use a push button in DI1 switch</p>	<p>Program stop</p> <p>※ In the PROG mode, please use a push button in DI1 switch</p>

SV Switch table

Mode	DI2	DI1	Function Description
SWSV	0	0	SV=SV1
	0	1	SV=SV2
	1	0	SV=SV3
	1	1	SV=SV4

**Example**

- Use two sets of DI to switch 4 sets of SV  
 Assuming Local SV=0, set SV1=100, SV2=200, SV3=150, SV4=250  
 After the power is turned on, DI1=OFF, DI2=OFF, Local SV=100(SV1)  
 When DI1=ON, DI2=OFF, local SV=200(SV2)  
 When DI1=OFF, DI2=ON, local SV=150(SV3)  
 When DI1=ON, DI2=ON, local SV=250(SV4)



**Parameter Setting**

LOOP	Level	Parameter	Set value	Description
1	4	SET2.1	1	Display parameter SV1, SV2
1	4	SET2.2	1	Display parameter SV3, SV4
1	4	SETD.3	1	Display parameter D1SL, D2SL
---	5	D1SL	SWSV	Switch LOOP1 SV1~SV4
---	5	D2SL	OFF	---

- Switch DI1 of loop1 with DI1 = RUN/STOP

Set D1SL = R\_S, the controller will be in RUN mode after turning on DI1(ON) the controller will be in STOP mode after turning off DI1(OFF)

**Parameter Setting**

LOOP	Level	Parameter	Set value	Description
---	5	D1SL	R_S	D1=ON R_S= RUN D1=OFF R_S= STOP

- Switch DI2 of loop2 with DI2 = RUN/STOP

Set D2SL = R\_S, the controller will be in RUN mode after turning on DI2(ON) the controller will be in STOP mode after turning off DI2(OFF)

**Parameter Setting**

LOOP	Level	Parameter	Set value	Description
---	5	D2SL	R_S	D2=ON R_S= RUN D2=OFF R_S= STOP

- Start/stop loop 1 timer with DI1

Set D1SL = TIM, TIM = 05.00 (5 minutes) the controller will start timing when DI1 is connected, and alarm 1 moves when the timer value reaches 5 minutes.

After disconnection of DI1, alarm 1 is released and the timer value is cleared

**Parameter Setting**

LOOP	Level	Parameter	Set value	Description
1	4	SET2.3	1	Display parameter TIM
1	1	TIM	05.00	Timer for 5 minutes
1	3	ALD1	TIM	When timer is up, alarm activates
---	5	D1SL	TIM	DI1 activates/ stop timer

- Use DI as a counter to count the external contact or pulse signal. When the count reaches 100, the alarm 1 activates.

Set D1SL=TIM, CNT=100, the controller will start the counting function when DI1 is connected, the external contact or pulse signal is connected to DI2, when the count value reaches 100 times

Alarm 1 activates, alarm 1 is released after DI1 is disconnected, count value is cleared

**Parameter Setting**

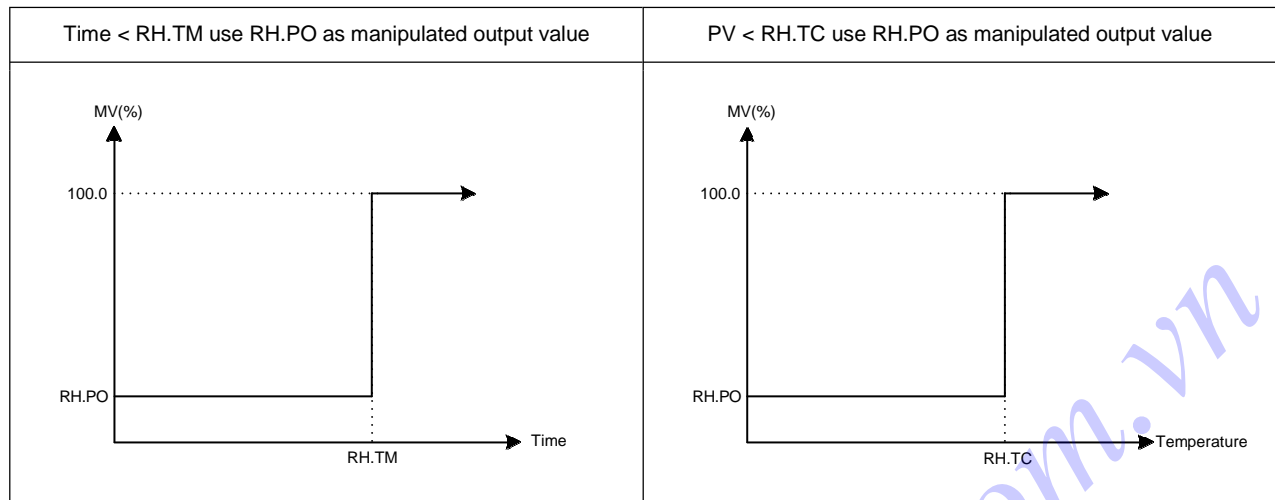
LOOP	Level	Parameter	Set value	Description
1	4	SET2.4	1	Display parameter CNT
1	1	CNT	100	Target counter value of 100
1	3	ALD1	CNT	Alarm activated, once counter value is reached
---	5	D1SL	CNT	DI1 Activate counter/ DI2 used for counter value
---	5	D2SL	OFF	As D1SL=CNT, D2SL is forced to be OFF

## 11.7 Dehumidification Function

### Description

The WT controller provides dehumidification to protect the heater. When the power is turned on, the heater is dehumidified with low power. When the dehumidification is completed, the normal power is output to the heater.

### Function Diagram



The related parameter of Dehumidification Function are as below:

Parameter	Symbol	Content	Range		Default	Level	Hide/Display
			MAX	MIN			
RH.TC	<i>RH.TC</i>	Dehumidification temperature If PV less than RH.TC manipulated value = RH.PO	200.0	0.0	125.0	Level 4	SETC.3
RH.PO	<i>RH.PO</i>	Dehumidification manipulated value 0 : OFF disable dehumidification function Other values : 0.1~100.0 manipulated value	100.0	OFF	OFF	Level 4	SETC.3
RH.TM	<i>RH.TM</i>	Dehumidification time time format : min.sec	COTI	00.00	15.00	Level 4	SETC.3

### Example description

After the controller is turned on, when the PV does not reach 50°C, manipulated value fixed in 20%. When the time exceeds 15 minutes or the PV is greater than 50°C, the controller will produce output of normal PID gain.

### Parameter Setting

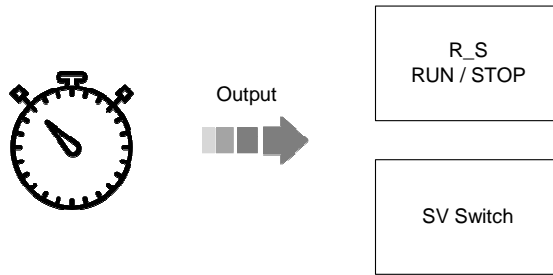
LOOP	Level	Parameter	Set value	Description
1	4	SETC.3	1	Display parameter RH.TC, RH.PO, RH.TM
1	1	SV	100.0	Target temperature
1	4	RH.TC	50.0	Execute de-humidifying function when PV is lower than this temperature
1	4	RH.PO	20.0	When executing dehumidification function the manipulated value fixed in 20%
1	4	RH.TM	15.00	Max dehumidification function time

## 11.8 24-Hour Timer

### Description

The WT controller provides a 24-hour timer to start/stop when a timer value arrives, or to switch SV

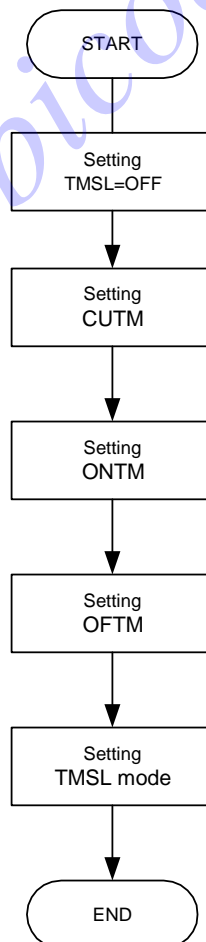
### Function Diagram



The related parameter of 24-Hour Timer are as below:

Parameter	Symbol	Content	Range		Default	Level	Hide/Display
			MAX	MIN			
CUTM	<i>0000</i>	24 hour timer Current time	23.59	00.00	0	Level 1	SET3.1
ONTM	<i>0000</i>	24 hour timer, ON time PV address use for display current time, SV address use for setting ON time	23.59	00.00	0	Level 1	SET3.1
OFTM	<i>0000</i>	24 hour timer, OFF time PV address use for display current time, SV address use for setting OFF time	23.59	00.00	0	Level 1	SET3.1
TMSL	<i>0000</i>	24 hour timer, mode selection 0 : OFF (24 hour timer function disable) 1 : SWSV (switch SV) 2 : R_S (switch RUN/STOP) 3 : R_SO (switch to run)	R_SO	OFF	OFF	Level 4	SETC.1

### Flow Setting



Example

1. The parameter R\_S switches to the RUN at 8:30 a.m. and activate the alarm1 at the same time, the parameter switches to STOP at 17:30 p.m.

Parameter Setting

LOOP	Level	Parameter	Set value	Description
1	4	SET3.1	1	Display parameter CUTM ONTM OFTM
1	4	SETC.1	1	Display parameter TMSL
1	1	CUTM	---	Setting this parameter according to Greenwich Mean Time(GMT)
1	1	ONTM	08.30	Switch to RUN status at 8:30 a.m.
1	1	OFTM	17.30	Switch to STOP status at 17:30 p.m.
1	3	ALD1	CUTM	Switch to RUN status and activate alarm at the same time
1	4	TMSL	R_S	Switch to RUN/STOP

2. Switch the parameter R\_S to RUN at 8:30 a.m. and activate the alarm1

Parameter Setting

LOOP	Level	Parameter	Set value	Description
1	4	SET3.1	1	Display parameter CUTM ONTM OFTM
1	4	SETC.1	1	Display parameter TMSL
1	1	CUTM	---	Setting this parameter according to Greenwich Mean Time(GMT)
1	1	ONTM	08.30	Switch to RUN status at 8:30 a.m.
1	3	ALD1	CUTM	Switch to RUN status and activate alarm 1 at the same time
1	4	TMSL	R_S	Switch to RUN/STOP

3. After controller boot completed the local SV=SV2, local SV switches to SV1 at 10:30 a.m., and local SV switches to SV2 at 1:30 p.m.

Parameter Setting

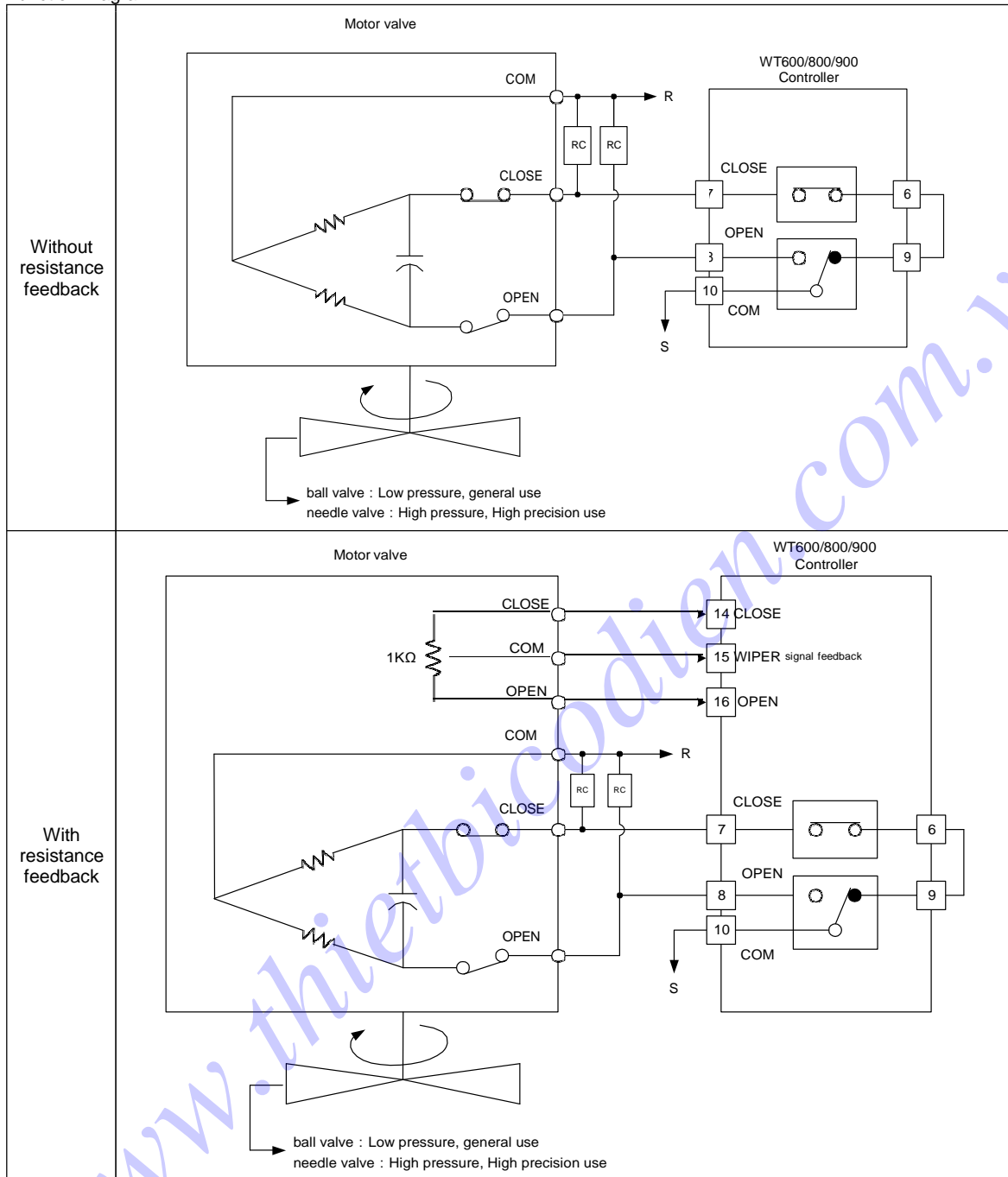
LOOP	Level	Parameter	Set value	Description
1	4	SET3.1	1	Display parameter CUTM ONTM OFTM
1	4	SETC.1	1	Display parameter TMSL
1	4	SET2.1	1	Display parameter SV1 SV2
1	1	CUTM	---	Setting this parameter according to Greenwich Mean Time(GMT)
1	1	ONTM	10.30	Switch SV=SV1 at 10:30 a.m.
1	1	OFTM	13.30	Switch SV=SV2 at 01:30 p.m.
1	4	TMSL	SWSV	Switch SV

## 11.9 Motor Valve Control

### Description

WT motor valve control function converts the control output value of the controller into the corresponding signal to control a motor driven valve and then performs temperature control of a controlled object by regulating fluid flow.

### Function Diagram



### Description of function

When the feedback resistance is provided

1. Adjusting valve position automatically
2. The valve position can be manually changed.
3. Force the controller to switch to no feedback resistance control mode when feedback resistance input breaks
4. High/Low limit of valve position can be set.

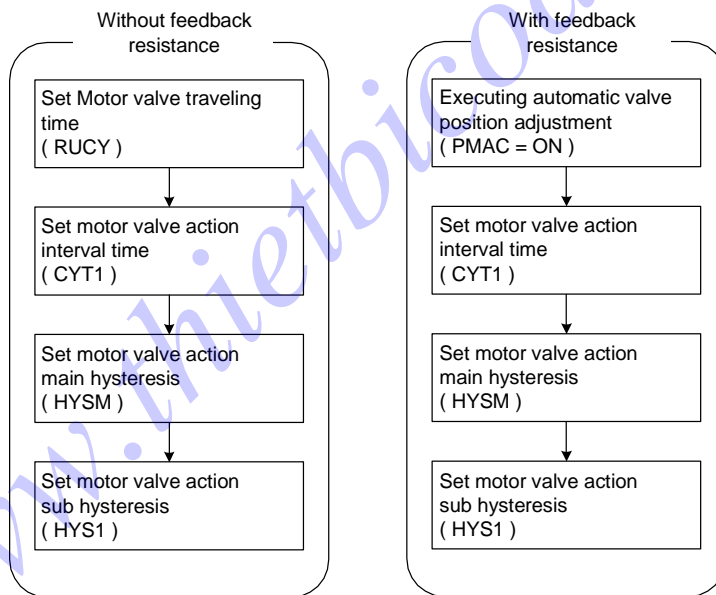
When the feedback resistance is not provided:

1. Control motor operation can be restricted by the parameter "OUTL".
2. The UP/DOWN key is used to output opening or closing signal in manual mode
  - UP key(open-side) : While the UP key is being pressed, open-side output (OUT1) is output continuously.  
Releasing the UP key turns off the output on the open-side to hold the opened state at that time.
  - DOWN key(close-side) : While the DOWN key is being pressed, close-side output (OUT2) is output continuously.  
Releasing the DOWN key turns off the output on the closed-side to hold the opened state at that time.

The related parameter of motor valve control function are as below:

Parameter	Symbol	Content	Range		Default	Level	Hide/Display
			MAX	MIN			
PV2	---	Valve opening monitor	100.0	0.0	---	Level 1	---
OU.TY	<i>0000</i>	Hardware drive selection 0 : SING (single output) 1 : DOUB (dual output) 2 : 1SCR (single phase control) 3 : HLSSL (high low signal selection) 4 : FBMV (valve control with feedback) 5 : NFMV (valve control without feedback)	5	0	0	Level 4	SETB.1
PMAC	<i>0000</i>	Automatic valve position adjustment 0 : OFF stop automatic adjust 1 : ON start automatic adjust 2 : E_PB Valve position determined by external button	E_PB	OFF	OFF	Fast	OU.TY = FBMV
MVRT	<i>0000</i>	Motor valve traveling time Time unit : second	150	5	5	Fast	OU.TY= FBMV & SETC.2=1
CYT1	<i>0000</i>	Motor valve action interval time. Time unit : second	10	1	5	Fast	OU.TY= FBMV or OU.TY= NFMV
HYSM	<i>0000</i>	Motor valve action main adjustment unit : percentage	5.0	0.0	1.0	Fast	OU.TY= FBMV & SETC.2=1
HYS1	<i>0000</i>	Motor valve action sub adjustment unit : percentage	HYSM	0.0	0.5	Fast	OU.TY= FBMV or OU.TY= NFMV

Motor valve Initial Setting



1. Executing automatic valve position adjustment

Parameter	Symbol	Content	Default	Level
PMAC	<i>0000</i>	Automatic valve position adjustment 0 : OFF stop automatic adjust 1 : ON start automatic adjust 2 : E_PB Valve position determined by external button	OFF	Fast

The motor valve low position(AN.LO) and high position(AN.HI) are calibrated and the travel time from completely open to completely closed is set automatically

When the measurement has been complete the setting of the parameter will change to OFF."PMER" will be display if any of following errors occurs during execution.If an error occur check the wiring and other factors and execute automatic valve position adjustment again.



2. Setting motor valve traveling time

Parameter	Symbol	Content	Default	Level
MVRT	<i>MVRT</i>	Motor valve traveling time Time unit : second	5	Fast

With feedback resistance mode

Executing automatic valve position adjustment will get MVRT setting value automatically

Without feedback resistance mode

Check the motor valve specification and setting the MVRT value of a manually

3. Setting valve action interval time

Parameter	Symbol	Content	Default	Level
CYT1	<i>CYT1</i>	Motor valve action interval time. Time unit : second	5	Fast

EX1 : Setting CYT1=5, after executing current valve action, If the controller calculates that the valve needs to be closed for 2 seconds, controller will delay 5 seconds before performing close valve action

EX2 : Setting CYT1=7, after executing current valve action, If the controller calculates that the valve needs to be open for 2 seconds, controller will delay 7 seconds before performing open valve action

4. Setting motor valve action main adjustment

Parameter	Symbol	Content	Default	Level
HYSM	<i>HYSM</i>	motor valve action main adjustment unit : percentage	1.0	Fast

When error% accumulates to the set value of HYSM the controller will drive motor valve to eliminate this error%

EX1 : set HYSM =0.5, when error% accumulates to 0.5 the controller will drive motor valve to eliminate this error%

EX2 : set HYSM =1.0, when error% accumulates to 1.0 the controller will drive motor valve to eliminate this error%

The smaller the set value of this parameter, the more frequent the valve action, the more precise the control, but it will also affect the valve life, proper HYSM setting reduces valve operating frequency to protect valve life

5. Setting motor valve action sub adjustment

Parameter	Symbol	Content	Default	Level
HYS1	<i>HYS1</i>	motor valve action sub adjustment unit : percentage	0.5	Fast

When the error% accumulates to the set value of HYSM, the controller will drive the valve to eliminate the set value of HYS1

EX1 : set HYSM =0.5, HYS1 =0.3, when error% accumulates to 0.5% the controller will drive motor valve to eliminate 0.3%

EX2 : set HYSM =1.0 , HYS1 =0.5, when error% accumulates to 1.0% the controller will drive motor valve to eliminate 0.5%

6. Setting motor valve high/low limit in resistance feedback control mode

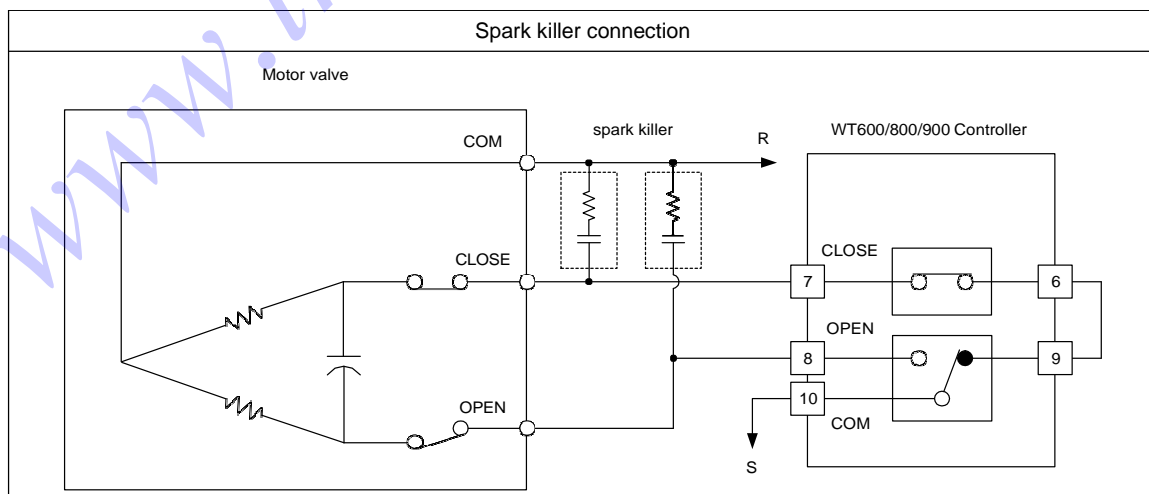
Parameter	Symbol	Content	Default	Level
MOLL	<i>MOLL</i>	low limit of valve position	0.0	Fast
MOLH	<i>MOLH</i>	high limit of valve position	100.0	Fast

EX1 : if you want set 20% low limit of valve position, setting MOLL=20.0

EX2 : if you want set 80% high limit of valve position, setting MOLH=80.0

Notes

1. The lowest valve position and the highest valve position are automatically written into AN.LO (LOOP2) & AN.HI (LOOP2) after executing automatic valve position adjustment.
2. When performing automatic valve position adjustment (PMAC=ON), please make sure that the fuel is closed.
3. When the controller detects that the feedback resistance is disconnected, it will automatically switch to no feedback control mode (OU.TY=NFBMV) and PV area show "PMER" message.
4. It is recommended to install spark killer at close side and open side of valve.



### 11.10 Piece Linear Compensation

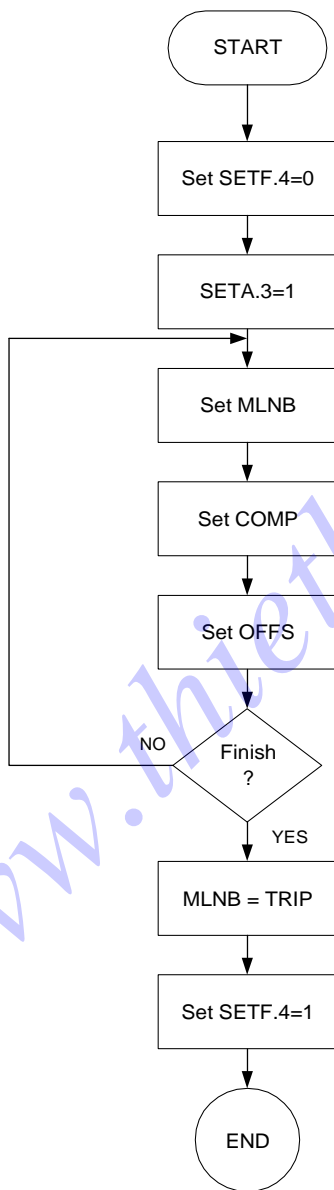
**Description**

When the analog input signal source is nonlinear, using piece linear compensation method to compensate this signal, make it linearity

The related parameter of piece linear compensation are as below:

Parameter	Symbol	Content	Range		Default	Level	Hide/Display
			MAX	MIN			
MLNB		Piece linear compensation segment select TRIP : leave setting loop 1~10 : segment select	10	TRIP	TRIP	Level 3	SETA.3
COMP		Piece linear compare value	USPL	LSPL	LSPL	Level 3	SETA.3
OFFS		Piece linear offset value	150.0	-150.0	0.0	Level 3	SETA.3
SETA.3		0 : MLNB, COMP, OFFS hide 1 : MLNB, COMP, OFFS display	1	0	0	Level 4	---
SETF.4		0 : Disable piece linear compensation 1 : Enable piece linear compensation	1	0	0	Level 5	SETF.4

Edit flow-chart



Set MLNB

Parameter	LED display	Description	Default	Level
MLNB		Piece linear compensation segment select TRIP : leave setting loop 1~10 : segment select	TRIP	Level 3

When MLNB≠TRIP the display loop in MLNB → COMP → OFFS

When MLNB=TRIP leave piece linear compensation parameter loop

Set COMP

Parameter	LED display	Description	Default	Level
COMP		Piece linear compensation compare value	LSPL	Level 3

When non-linear signal value within the set value of COMP, it needs to be compensated.

First COMP set value=LSPL

Last COMP set value=USPL

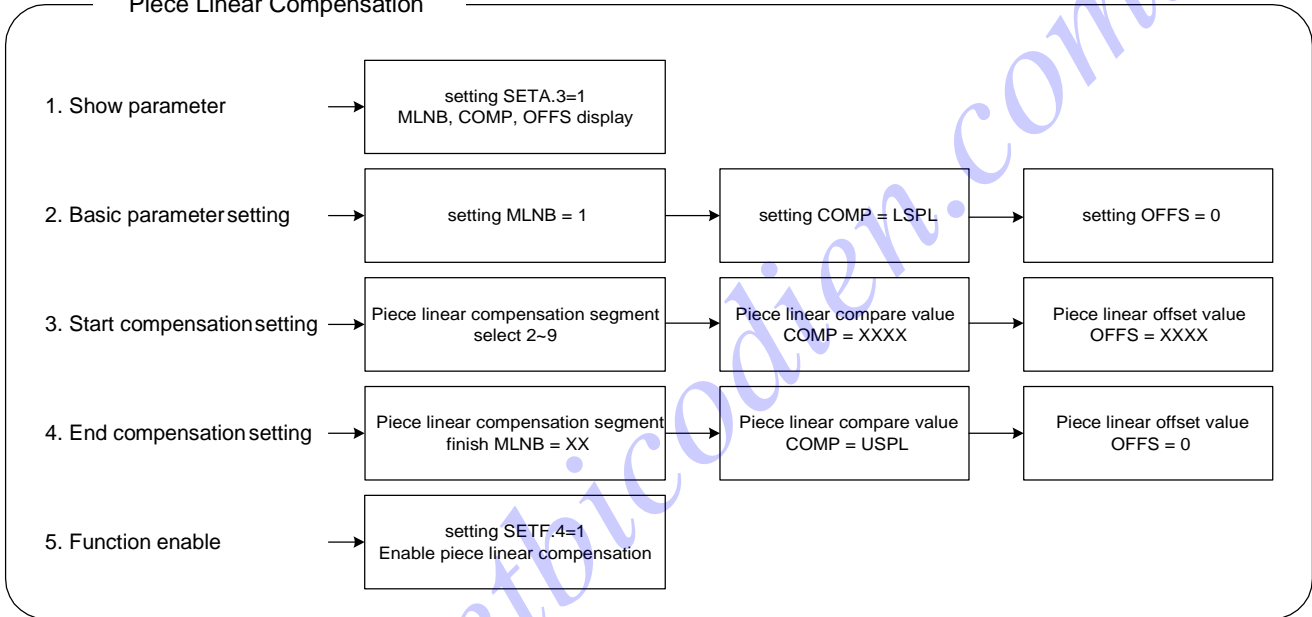
Set OFFS

Parameter	LED display	Description	Default	Level
OFFS		Piece linear compensation offset value	0.0	Level 3

When non-linear signal value within the set value of COMP, OFFS use for increase or decrease original non-linear signal

Before the function starts

Piece Linear Compensation



Example1:

Assume signal source is a nonlinear signal within 320 °C, and the controller is set to correct at three temperature points.

- (1) When the temperature is 95°C, it needs to be corrected by +5°C.
- (2) When the temperature is 185°C, it needs to be corrected by +15°C.
- (3) When the temperature is 320°C, it needs to be corrected by +30°C.

Step 1: Set SETA.3=1 and SETF.4=0

Step 2: Set MLNB = 1, COMP = LSPL, OFFS = 0

Step 3: set MLNB = 2, COMP = 95, OFFS = 5

Step 4: Set MLNB = 3, COMP = 185, OFFS = 15

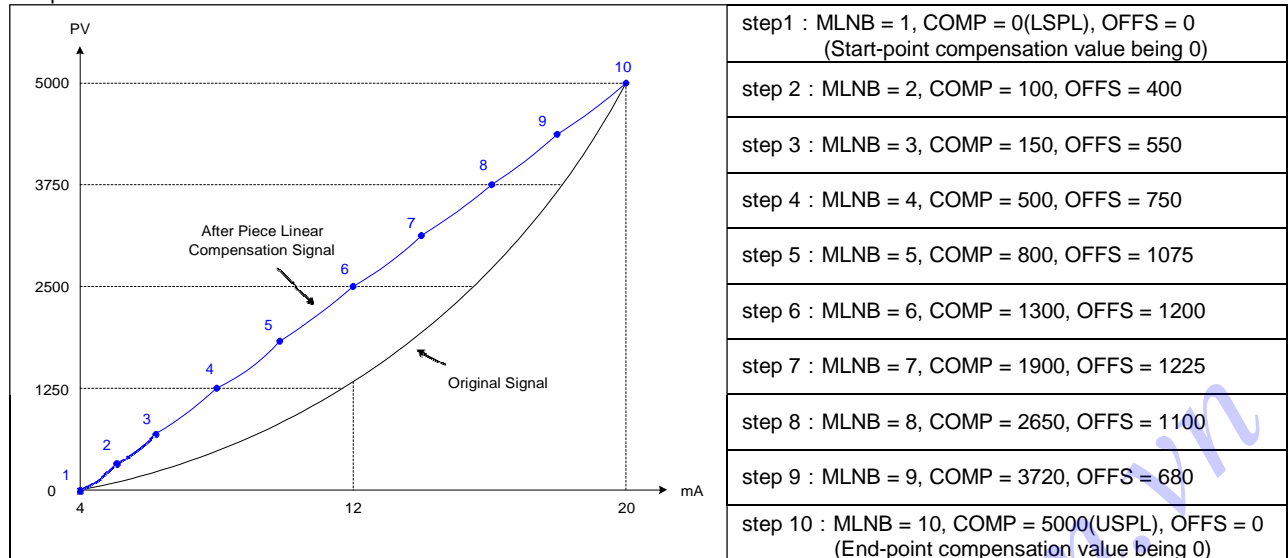
Step 5: Set MLNB = 4, COMP = 320, OFFS = 30

Step 6: Set MLNB = 5, COMP = USPL, OFFS = 0

Step 7: Set MLNB = TRIP and SETF.4=1

**Example2:**

Input signal 4~20mA, range 0~5000, the input signal is nonlinear (as shown in the figure below), use 10 points piece linear compensation.



www.thietbico dien.com

### 11.11 RAMP & SOAK

**Description**

The WT series controller provides a single ramp and soak function, after booting completed, the SV starts to increase according to the set value of RAMP. When the soak condition is met the SOAK function will be executed according to the set value of SOAK, and driving the output and alarm to ON or OFF after the SOAK time is executed finish.

The related parameter of ramp and soak function are as below:

Parameter	Symbol	Content	Range		Default	Level	Hide/Display
			MAX	MIN			
RAMP	<i>RAMP</i>	The rate of change during SV ramp operation format : °C / minute	99.99	-19.99	0.00	Level 1	SV.TY=RAMP & SETE.4
SOAK	<i>SOAK</i>	Soak time Time format : min.sec	COTI	0.00	0.10	Level 1	ALDX=MSOK ALDX=SOAK ALDX=FSOK

※ X=1 / 2 / 3

Parameter	Set value	Symbol	Content
ALDX	MSOK	<i>MSOK</i>	Boot completed, the alarm is ON. When PV ≥ target SV start the soak timer, alarm and control function are turned OFF in soak time finish
	SOAK	<i>SOAK</i>	Boot completed, the alarm is ON (1) RAMP SV reach target SV (2) PV ≥ target SV When both of the above conditions are true start the soak timer, alarm and control function are turned OFF in soak time finish (in this function ramp function is necessary)
	FSOK	<i>FSOK</i>	Boot completed, the alarm is OFF. when PV ≥ target SV start the soak timer, alarm is turned ON and the control function keep ON in soak time finish

※ X=1 / 2 / 3

**Example (1) RAMP+SOAK**

Boot completed, the alarm is ON, target SV=100.0, SV rising 5.00°C per minute

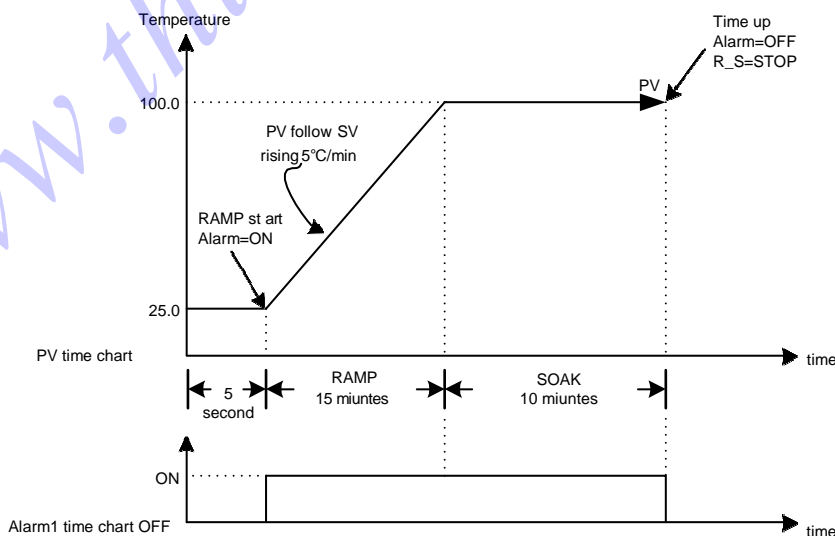
(1) RAMP SV reach 100.0

(2) PV ≥ 100.0

When both of the above conditions are true start the soak timer, alarm and parameter R\_S are turned OFF in soak time finish

**Parameter setting**

LOOP	Level	Parameter	Set value	Description
1	1	SV	100.0	target SV
1	1	R_S	RUN	enable control and alarm function
1	1	RAMP	5.00	rising 5.00°C per minute
1	1	SOAK	10.00	soak time=10 minutes
1	3	ALD1	SOAK	alarm1 as soak alarm
1	4	SV.TY	RAMP	SV source RAMP function
1	4	SETE.4	1	display RAMP



Change SV to re-execute RAMP/SOAK function

1. Parameter R\_S display in LEVEL\_1  
After change SV, set parameter R\_S=RUN, controller will re-execute RAMP/SOAK function
2. Parameter R\_S hide in LEVEL\_1  
After change SV, controller will re-execute RAMP/SOAK function automatically

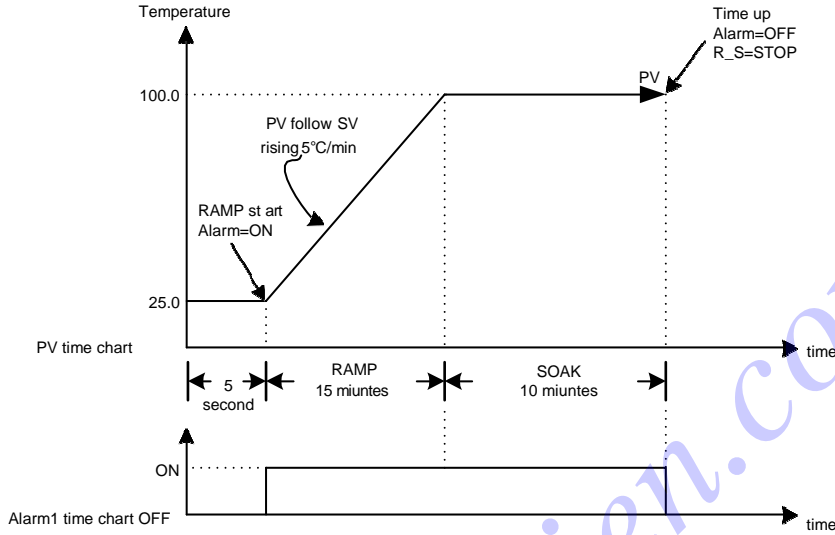
Example (2) RAMP+MSOK

Boot completed, the alarm is ON, target SV=100.0, SV rising 5.00°C per minute

When PV ≥ 100.0 start the soak timer, alarm and parameter R\_S are turned OFF in soak time finish.

Parameter setting

LOOP	Level	Parameter	Set value	Description
1	1	SV	100.0	target SV
1	1	R_S	RUN	enable control and alarm function
1	1	RAMP	5.00	rising 5.00°C per minute
1	1	SOAK	10.00	soak time=10 minutes
1	3	ALD1	MSOK	alarm1 as soak alarm
1	4	SV.TY	RAMP	SV source RAMP function
1	4	SETE.4	1	display RAMP



Change SV to re-execute RAMP/SOAK function

1. Parameter R\_S display in LEVEL\_1

After change SV, set parameter R\_S=RUN, controller will re-execute RAMP/SOAK function

2. Parameter R\_S hide in LEVEL\_1

After change SV, controller will re-execute RAMP/SOAK function automatically

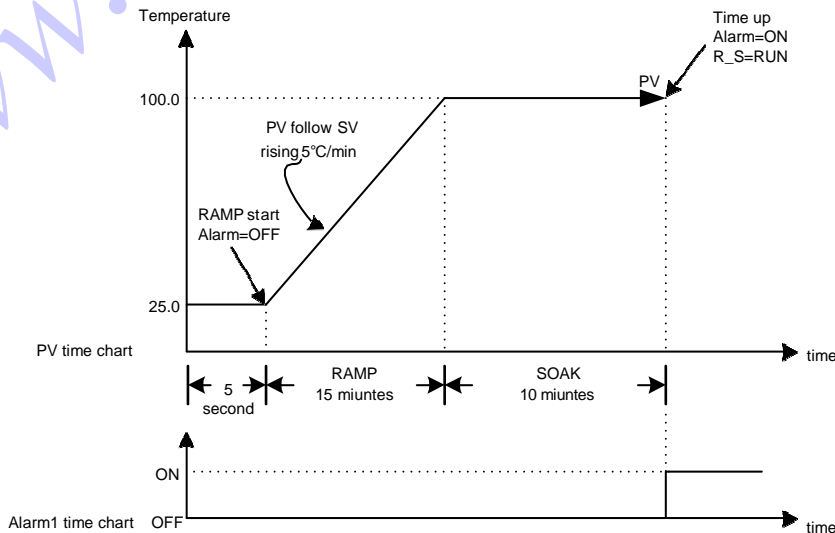
Example (3) RAMP+FSOK

Boot completed, the alarm is OFF, target SV=100.0, SV rising 5.00°C per minute

When PV ≥ 100.0 start the soak timer, alarm is turned ON and parameter R\_S keep RUN state in soak time finish

Parameter setting

LOOP	Level	Parameter	Set value	Description
1	1	SV	100.0	target SV
1	1	R_S	RUN	enable control and alarm function
1	1	RAMP	5.00	rising 5.00°C per minute
1	1	SOAK	10.00	soak time=10 minutes
1	3	ALD1	FSOK	alarm1 as soak alarm
1	4	SV.TY	RAMP	SV source RAMP function
1	4	SETE.4	1	display RAMP



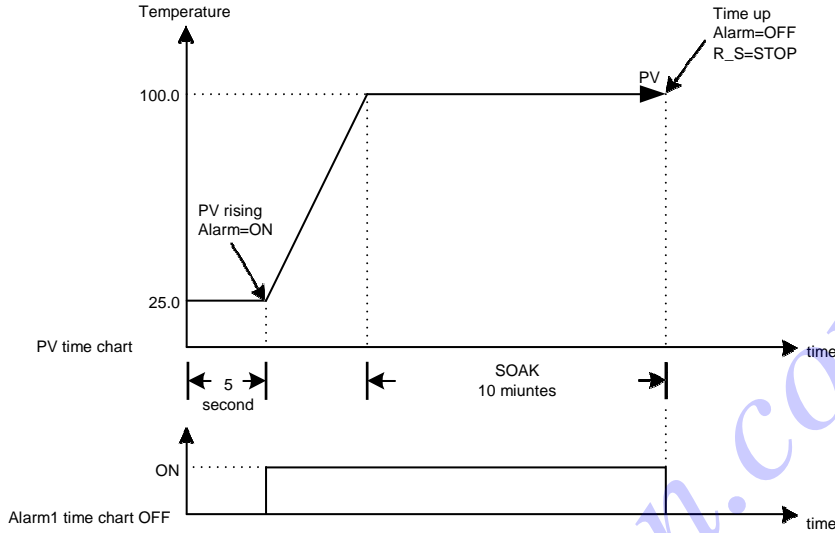
Example (4) use only MSOK

Boot completed, the alarm is ON, target SV=100.0, control PV to 100.0 directly

When PV ≥ 100.0 start the soak timer, alarm and parameter R\_S are turned OFF in soak time finish

Parameter setting

LOOP	Level	Parameter	Set value	Description
1	1	SV	100.0	target SV
1	1	R_S	RUN	enable control and alarm function
1	1	SOAK	10.00	soak time=10 minutes
1	3	ALD1	MSOK	alarm1 as soak alarm
1	4	SV.TY	FIX	SV change by keypad



Change SV to re-execute RAMP/SOAK function

1. Parameter R\_S display in LEVEL\_1

After change SV, set parameter R\_S=RUN, controller will re-execute RAMP/SOAK function

2. Parameter R\_S hide in LEVEL\_1

After change SV, controller will re-execute RAMP/SOAK function automatically

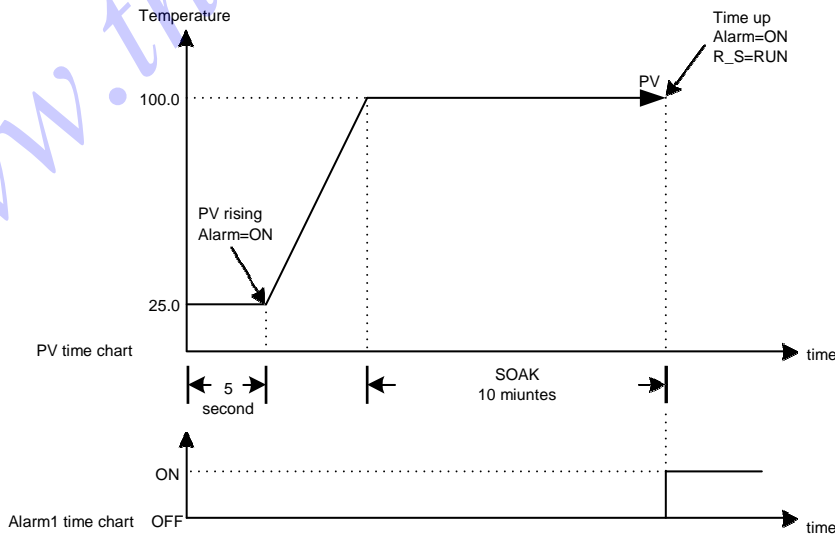
Example (5) use only FSOK

Boot completed, the alarm is OFF, target SV=100.0, control PV to 100.0 directly

When PV ≥ 100.0 start the soak timer, alarm is turned ON and parameter R\_S keep RUN state in soak time finish

Parameter setting

LOOP	Level	Parameter	Set value	Description
1	1	SV	100.0	target SV
1	1	R_S	RUN	enable control and alarm function
1	1	SOAK	10.00	soak time=10 minutes
1	3	ALD1	FSOK	alarm1 as soak alarm
1	4	SV.TY	FIX	SV change by keypad




## 11.12 Password

### Description

The WT series controller provides a password function to inhibit operator enter Level 3~5.

The related parameter of password function are as below:

Parameter	Symbol	Content	Range		Default	Level	Hide/Display
			MAX	MIN			
PW		Password input value	9999	0	0	Level 1	SET2.4 (loop2)
MPW	---	<p>Verification code setting value This parameter can only be modified by communication address : 1022</p> <p>0 : No password protection ,user can enter Level 3~5 according to the value of LOCK</p> <p>others : When password input value and verification code are the same, user can enter Level 3~5 according to the value of LOCK. otherwise, user cannot enter Level 3~5.</p>	9999	0	0	---	---

### example

Set verification code=1234 via communication

1. input 1234 in the parameter PW, allow enter Level\_1~3
2. input 5678 in the parameter PW, inhibit enter Level\_1~3

There is a limit on the number of input passwords, after more than 3 times, it will be locked and cannot be entered. If user want to unlock please contact factory or distributor.

### Parameter setting

LOOP	Level	Parameter	Set value	Description
2	1	PW	1234	password input value
---	---	MPW	1234	verification code, modify via communication

### Notes

1. The value of the verification code can only be modified through communication
2. Password input value(PW) in LOOP2, to password input, please set parameter LOOP to LOP2 first
3. There is a limit on the number of password input ,please remember the value of verification code

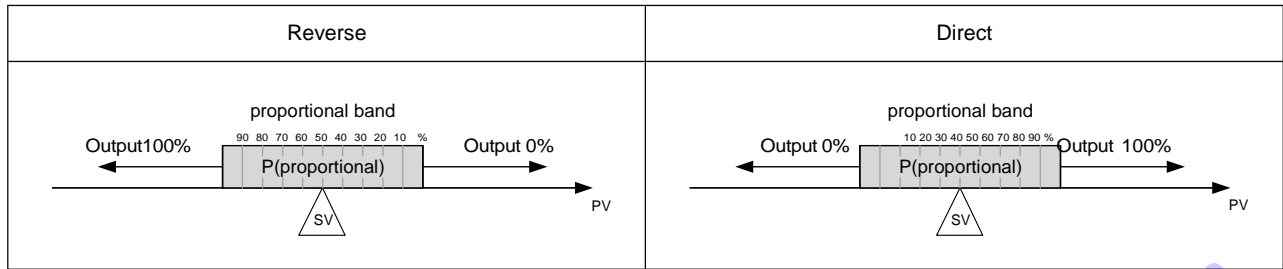


### 11.13 Proportional Control

#### Description

Proportional control is one of the simplest ways to control method, controller manipulated value proportional to input error signal, this chapter explains how to set related parameters.

#### Function Diagram



The related parameter of proportional control are as below:

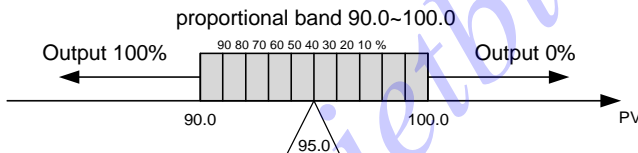
Parameter	Symbol	Content	Range		Default	Level	Hide/Display
			MAX	MIN			
SV	---	Set value	USPL	LSPL	---	Level 1	---
P1		Main output proportional band 0.0 : ON/OFF control Other values : proportional band setting value	200.0	0.0	3.0	Level 2	---
OUTM		Control action selection 0 : HEAT reverse action 1 : COOL direct action	COOL	HEAT	HEAT	Level 3	SET9.4

#### Setting step

1. Select control action
2. Determine the proportional band
3. Calculate symmetry value, symmetry value = (proportional band maximum - proportional band minimum) / 2
4. Set SV, SV = Midpoint of proportional band
5. Full range = (Range maximum - range minimum)
6. Calculate Error% = (symmetry value / Full range) x 100
7. Calculate P = (Error% x 2)

#### Example 1 :

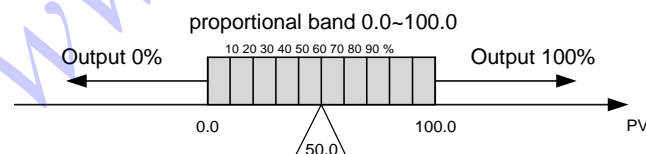
INPT = K1(-50.0~600.0) when PV in the range of 90.0 ~ 100.0 output proportional(decrease) SV= ? P= ?



1. OUTM = HEAT(Reverse)
2. Proportional band → 90.0~100.0
3. Symmetry value = (proportional band maximum - proportional band minimum) / 2 → (100.0 - 90.0) / 2 = 5.0
4. SV = Midpoint of proportional band → SV=95.0
5. Full range = (Range maximum - range minimum) → 600.0 - (-50.0) = 650.0
6. Error% = (Symmetry value / Full range) x 100 → (5.0 / 650.0) x 100 = 0.76923
7. P = (Error% x 2) → 0.76923 x 2 = 1.5384(approx 1.5)

#### Example 2 :

INPT= AN4(0.0~100.0) when PV in the range of 0.0 ~ 100.0 output proportional(increase) SV= ? P= ?



1. OUTM = COOL(Direct)
2. Proportional band → 0.0~100.0
3. Symmetry value = (proportional band maximum - proportional band minimum) / 2 → (100.0 - 0.0) / 2 = 50.0
4. SV = Midpoint of proportional band → SV= 50.0
5. Full range = (Range maximum - range minimum) → 100.0 - 0.0 = 100.0
6. Error% = (Symmetry value / Full range) x 100 → (50.0 / 100.0) x 100 = 50.0
7. P = (Error% x 2) → 50.0 x 2 = 100.0

#### Notes

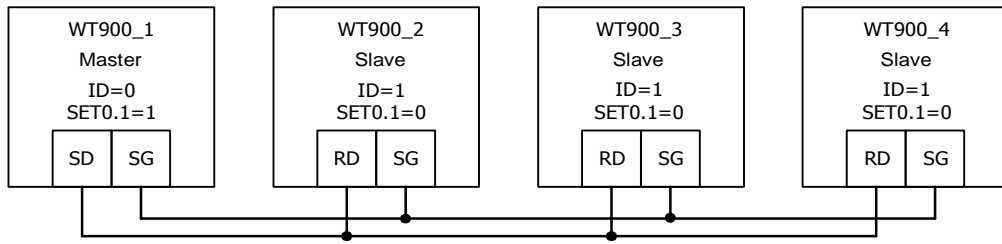
1. When using proportional control I1 and D1 must be set to 0
2. Full range please check Chapter 4 "Input Range Table"
3. Only using proportional control will eventually have a steady state error

## 11.14 Master-Slave Communication

### Description

Transmission master controller SV to slave controller SV, all slave controller SV can be consistent

### Wiring



The related parameter of master-slave communication are as below:

Parameter	Symbol	Content	Range		Default	Level	Hide/Display
			MAX	MIN			
RATE	<i>RATE</i>	Slave SV rate RATE SV = SV x (RATE/9999)	9999	0	9999	Level 1	SET2.1 & SET0.2
PRTO	<i>PRTO</i>	Protocol selection 0 : Shihlin Electric 1 : MRTU (Please refer to communication manual)	RTU	Shihlin Electric	Shihlin Electric	Level 3	SET5.4
FOMA	<i>FOMA</i>	Data format 0 : O_81 (parity bit=odd, stop bit=1) 1 : O_82 (parity bit=odd, stop bit=2) 2 : E_81 (parity bit=even, stop bit=1) 3 : E_82 (parity bit=even, stop bit=2) 4 : N_81 (parity bit=none, stop bit=1) 5 : N_82 (parity bit=none, stop bit=2)	N_82	O_81	O_81	Level 3	SET5.4
IDNO	<i>IDNO</i>	Controller station	254	0	1	Level 3	SET5.4
BAUD	<i>BAUD</i>	Baud rate 0 : 24(2400) 1 : 48(4800) 2 : 96(9600) 3 : 192(19200) 4 : 384(38400) 5 : 576(57600) 6 : 1152(115200) bps	1152	24	96	Level 3	SET5.4

#### Master controller setting step

1. IDNO= 0, PRTO= Shihlin Electric
2. FOMA= O\_81, BAUD= 96
3. After completing the above steps, master controller start to transmit SV to slave controller SV

#### Slave controller setting step

1. IDNO= 1, PRTO= Shihlin Electric
2. FOMA= O\_81, BAUD= 96
3. RATE= 9999
4. After completing the above steps, slave controller start to receive master controller SV

#### Notes

1. After adding master-slave communication, RS-485 communication not available
2. Master-slave communication only available in Shihlin Electric protocol(PRTO= Shihlin Electric)
3. Master controller does not use parameter RATE, to attenuate the SV received by slave controller just adjust parameter RATE
4. Master controller can connect up to 10 slave controllers, and the wiring between every controller should not exceed 1 meter.

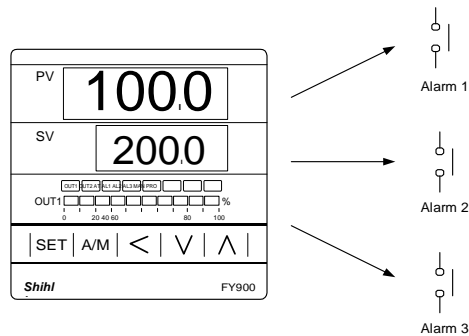
## 12. Alarm Action

### Description

The WT controller can support up to three sets of alarm functions. Each set of alarms has 20 mode, except NONE, MSOK, and SOAK.

There are 6 active options for each mode. There are a total of more than 100 operating modes to choose. Users can choose the most suitable alarm mode according to their needs for system protection or application.

### Function Diagram



The related parameter of alarm function are as below:

Parameter	Symbol	Content	Range		Default	Level	Hide/Display
			MAX	MIN			
R_S	<i>8885</i>	RUN/STOP mode selection 0 : STOP (output & alarm disable) 1 : RUN (output & alarm enable)	RUN	STOP	RUN	Level 1	SET3.4
AL1H	<i>8888</i>	Alarm1 upper set value (ALD1 = DE.HI / DE.HL / BA.ND / PR.HI / DEHI / DEHL / BAND / PRHI appear)	USPL	LSPL	1.0	Level 1	SET1.2
AL1L	<i>8888</i>	Alarm1 lower set value (ALD1 = DE.LO / DE.HL / BA.ND / PR.LO / DELO / DEHL / BAND / PRLO appear)	USPL	LSPL	1.0	Level 1	SET1.2
AL2H	<i>8888</i>	Alarm2 upper set value (ALD2 = DE.HI / DE.HL / BA.ND / PR.HI / DEHI / DEHL / BAND / PRHI appear)	USPL	LSPL	1.0	Level 1	SET1.3
AL2L	<i>8888</i>	Alarm2 lower set value (ALD2 = DE.LO / DE.HL / BA.ND / PR.LO / DELO / DEHL / BAND / PRLO appear)	USPL	LSPL	1.0	Level 1	SET1.3
AL3H	<i>8888</i>	Alarm3 upper set value (ALD3 = DE.HI / DE.HL / BA.ND / PR.HI / DEHI / DEHL / BAND / PRHI appear)	USPL	LSPL	1.0	Level 1	SET1.4
AL3L	<i>8888</i>	Alarm3 lower set value (ALD3 = DE.LO / DE.HL / BA.ND / PR.LO / DELO / DEHL / BAND / PRLO appear)	USPL	LSPL	1.0	Level 1	SET1.4
ALD1	<i>8888</i>	Alarm1 mode selection (Please refer to <a href="#">Chapter 12.1 Alarm Mode</a> )	FSOK	NONE	DEHI	Level 3	SET7.4
ALT1	<i>8888</i>	FLIK (00.00) : Flicker COTI (99.59) : Continued ON 00.01~99.58 : delay time	COTI	FLIK	COTI	Level 3	SET7.4
HYA1	<i>8888</i>	Hysteresis setting for alarm1	100.0	-100.0	1.0	Level 3	SET7.4
SEA1	<i>8888</i>	Alarm1 special function setting (Please refer to <a href="#">Chapter 12.2 Alarm Special Setting</a> )	1111	0000	0000	Level 3	SET7.4
ALD2	<i>8888</i>	Alarm2 mode selection (Please refer to <a href="#">Chapter 12.1 Alarm Mode</a> )	FSOK	NONE	NONE	Level 3	SET8.1
ALT2	<i>8888</i>	FLIK (00.00) : Flicker COTI (99.59) : Continued ON 00.01~99.58 : delay time	COTI	FLIK	COTI	Level 3	SET8.1
HYA2	<i>8888</i>	Hysteresis setting for alarm 2	100.0	-100.0	1.0	Level 3	SET8.1
SEA2	<i>8888</i>	Alarm2 special function setting (Please refer to <a href="#">Chapter 12.2 Alarm Special Setting</a> )	1111	0000	0000	Level 3	SET8.1

The related parameter of alarm function are as below:

Parameter	Symbol	Content	Range		Default	Level	Hide/Display
			MAX	MIN			
ALD3	<i>ALD3</i>	Alarm3 mode selection (Please refer to <a href="#">Chapter 12.1 Alarm Mode</a> )	FSOK	NONE	NONE	Level 3	SET8.2
ALT3	<i>ALT3</i>	FLIK (00.00) : Flicker COTI (99.59) : Continued ON 00.01~99.58 : delay time	COTI	FLIK	COTI	Level 3	SET8.2
HYA3	<i>HYA3</i>	Hysteresis setting for alarm 3	100.0	-100.0	1.0	Level 3	SET8.2
SEA3	<i>SEA3</i>	Alarm3 special function setting (Please refer to <a href="#">Chapter 12.2 Alarm Special Setting</a> )	1111	0000	0000	Level 3	SET8.2

www.thietbico dien.com.vn

## 12.1 Alarm Mode

▲ : SV    △ : Alarm set value    X : 1 / 2 / 3 (There are up to 3 sets of alarms)

ALDX		Index value	Alarm mode	Description
NONE		0	No alarm function	Not drive any alarm relays and the corresponding LED lamp.
DE.HI		1	Deviation high (With hold action)	
				Formula
DE.LO		2	Deviation low (With hold action)	
				Formula
DE.HL		3	Deviation high/low (With hold action)	
				Formula
BA.ND		4	Band (With hold action)	
				Formula
PR.HI		5	Process high (With hold action)	
				Formula
PR.LO		6	Process low (With hold action)	
				Formula
PEND		7	Program end	When the program is end, the alarm action *This mode only available in program type controller
SYAB		8	System error	The alert action, when PV displays error message
HBA		9	HBA (Heater Break Alarm)	Activated conditions : 1. Heater current(HBCU) is less the HBSV set value 2. OUT1 manipulated value exceed HBOP set value 3. Fit with Condition1 and 2 and exceed set the seconds of HBTM

### Hold Action

There is a dot on the led display for alarm hold action, such as → (Deviation high with hold action)

When the controller boot completed, the PV is within the alarm range, and no alarm action will be generated at this time, until the PV exceed alarm range then enter the alarm range again the alarm will be activated.

## 12.1 Alarm Mode

▲ : SV    △ : Alarm set value    X : 1 / 2 / 3 (There are up to 3 sets of alarms)

ALDX		Index value	Alarm mode	Description
MSOK		10	soak timer	Boot completed, the alarm is ON. When PV ≥ target SV start the soak timer, alarm and control function are turned OFF in soak time finish please refer to chapter 11.11 RAMP + SOAK
DEHI		11	Deviation high	 Formula $PV \geq (SV + ALXH) \rightarrow \text{Alarm ON}$ $PV \leq (SV + ALXH - HYAX) \rightarrow \text{Alarm OFF}$
DELO		12	Deviation low	 Formula $PV \leq (SV + ALXL) \rightarrow \text{Alarm ON}$ $PV \geq (SV + ALXL + HYAX) \rightarrow \text{Alarm OFF}$
DEHL		13	Deviation high/low	 Formula $PV \leq (SV + ALXL) \rightarrow \text{Alarm ON}$ $PV \geq (SV + ALXL + HYAX) \rightarrow \text{Alarm OFF}$ $PV \geq (SV + ALXH) \rightarrow \text{Alarm ON}$ $PV \leq (SV + ALXH - HYAX) \rightarrow \text{Alarm OFF}$
BAND		14	Band	 Formula $PV \leq (SV + ALXH) \rightarrow \text{Alarm ON}$ $PV > (SV + ALXH) \rightarrow \text{Alarm OFF}$ $PV \geq (SV + ALXL) \rightarrow \text{Alarm ON}$ $PV < (SV + ALXL) \rightarrow \text{Alarm OFF}$
PRHI		15	Process high	 Formula $PV \geq ALXH \rightarrow \text{Alarm ON}$ $PV \leq (ALXH - HYAX) \rightarrow \text{Alarm OFF}$
PRLO		16	Process low	 Formula $PV \leq ALXL \rightarrow \text{Alarm ON}$ $PV \geq (ALXL + HYAX) \rightarrow \text{Alarm OFF}$
PRUN		17	Program run	When the program is being executed, the alarm action *This mode only available in program type controller
SYNO		18	System normal	The Alert action, when PV normal displays( no error message)
SOAK		19	Ramp Soak Timer	Boot completed, the alarm is ON 1. RAMP SV reach target SV 2. PV ≥ target SV When both of the above conditions are true start the soak timer, alarm and control function are turned OFF in soak time finish (in this function ramp function is necessary) please refer to <a href="#">chapter 11.11 RAMP + SOAK</a>

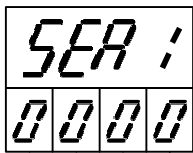
## 12.1 Alarm Mode

▲ : SV    △ : Alarm set value    X : 1 / 2 / 3 (There are up to 3 sets of alarms)

ALDX		Index value	Alarm mode	Description
TIM		20	Timer	Alarm action in time up *This mode only available in Digital Input function
CNT		21	Counter	Alarm action after counter value is reached *This mode only available in Digital Input function
CUTM		22	24H Timer	When CUTM = ONTM, alarm activates When CUTM = OFTM, alarm stops
FSOK		23	soak timer	Boot completed, the alarm is OFF. when PV ≥ target SV start the soak timer, alarm is turned ON and the control function keep ON in soak time finish please refer to <a href="#">chapter 11.11 RAMP + SOAK</a>

www.thietbico dien.com.vn

## 12.2 Alarm Special Setting



- SEA1.1 0 : Alarm relay action in A contact (Normal Open)  
1 : Alarm relay action in B contact (Normal Close)
- SEA1.2 0 : Alarm delay ON  
1 : Alarm delay OFF
- SEA1.3 0 : ALT1 time format (minute.second)  
1 : ALT1 time format (hour. minute)
- SEA1.4 0 : Alarm delay ON or delay OFF  
1 : Alarm delay ON or delay OFF with flick action

※ : Alarm Special Setting SEA1~SEA3

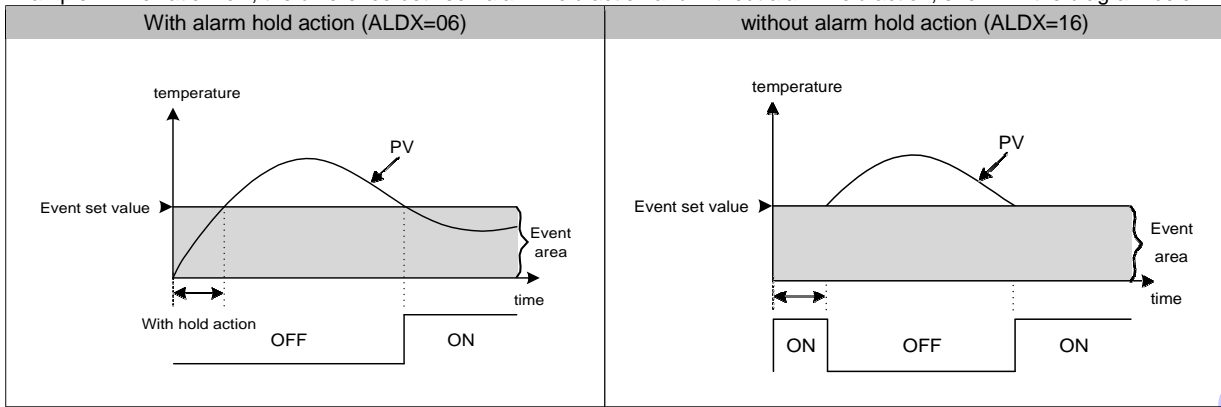
X : 1 / 2 / 3 (There are up to 3 sets of alarms)

SEAX	Status = 0	Status = 1
SEAX.1	Alarm relay action in A contact (Normal Open)	Alarm relay action in B contact (Normal Close)
	<p>Alarm relay action same with alarm led</p>	<p>Alarm relay action is the opposite of alarm led</p>
SEAX.2	Alarm delay ON	Alarm delay OFF
	<p>Conditions: When ALTX = 00.01~99.58</p> <p>When PV entering the alarm range, the timer starts. At this time, the alarm led and relay keep original state, alarm led and relay change state in time up</p>	<p>Conditions: When ALTX = 00.01~99.58</p> <p>When PV entering the alarm range, the timer starts. At this time, the alarm led and relay change state, alarm led and relay change state again in time up</p>
SEAX.3	ALTX time format (minutes.seconds) Ex : ALT1=33.23 , its time format is 33 minutes and 23 seconds	ALTX time format (hours. minutes) Ex : ALT1=33.23 , its time format is 33 hours and 23 minutes
SEAX.4	Alarm delay ON or delay OFF	Alarm delay ON or delay OFF with flick action
	<p>When ALTX = 00.01~99.58, according to the SETA.2 setting value, the relay and alarm led will continue to operate when an alarm occurs</p> <p>SEAX.2=0</p> <p>SEAX.2=1</p>	<p>When ALTX = 00.01~99.58, according to the SETA.2 setting value, the relay and alarm led will flick when an alarm occurs</p> <p>SEAX.2=0</p> <p>SEAX.2=1</p>

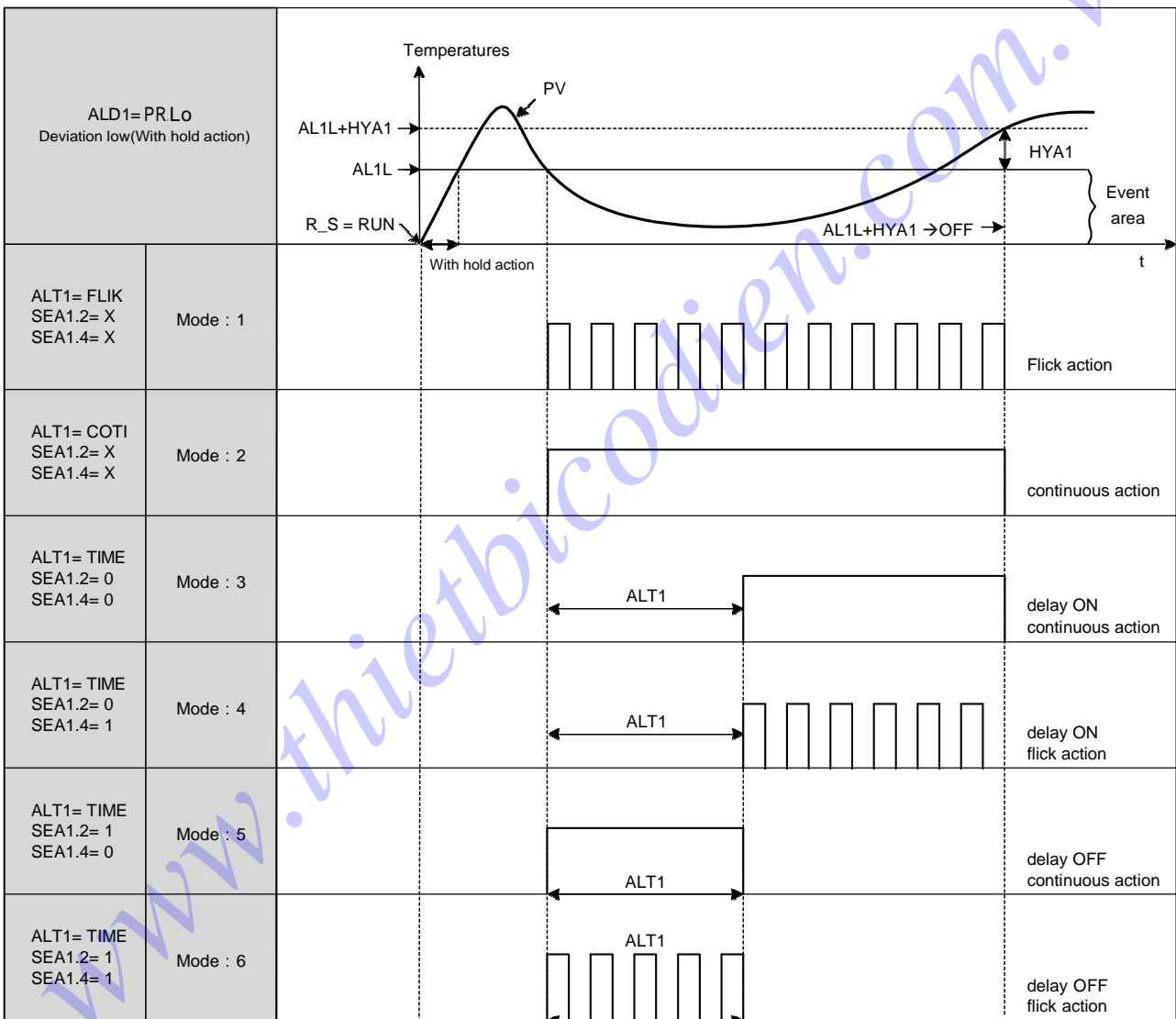


### 12.3 Alarm Example

Example 1 : Deviation low, the difference between alarm hold action and without alarm hold action, shown in the diagram below



Example 2: Relative relevance between Alarm1 and ALT1 and SEA1



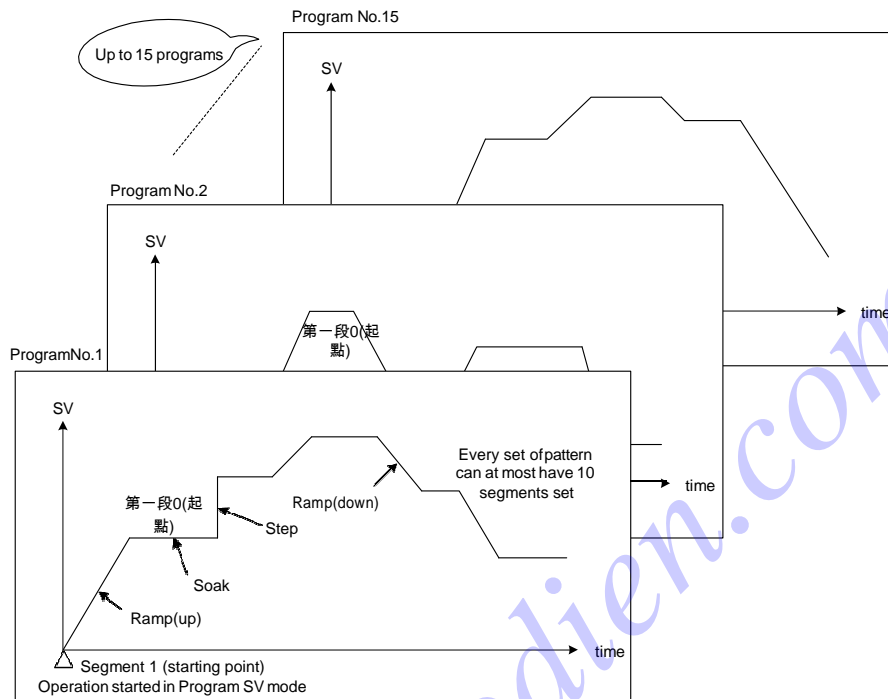
※ X : Don't care

## 13. Programmable

### Description

Programmable function is SV function that is variable to time, as user can set SV value to their needs according to time-based variation curve, which is called program setting

1. There are at most 15 sets of pattern setting
2. Every set of pattern can at most have 10 segments
3. Every segment include 4 settings such as ramp, soak, step and continue
4. Pattern can be randomly linked up, as each pattern of program contains 150 segment, at most.



### 13.1 Parameter Setting

Parameter	Symbol	Content	Range		Default	Level	Hide/Display
			MAX	MIN			
WAIT	<i>0000</i>	Program execution standby temperature 0 : when program execute do not wait for PV temperature Other values : when PV= (target SV-WAIT) program entering next segment	1000	0	0	Level 1	SET4.1
PTN	<i>0000</i>	Program pattern selection 1~15	15	TRIP	1	Level 1	SV.TY = PROG
SEG	<i>0000</i>	Program segment selection 1~10	10	1	1	Level 1	SV.TY = PROG
L1.SV	<i>0000</i>	LOOP1 current segment target SV	USPL	LSPL	0	Level 1	SV.TY = PROG
L2.SV	<i>0000</i>	LOOP2 current segment target SV	USPL	LSPL	0	Level 1	SV.TY=PROG & SET6.4
TIMR	<i>0000</i>	Current segment execute time setting this parameter determines the link between segment and segment or pattern and pattern END(-1) : program end in this segment 00.00 : program step change in this segment 00.01~99.58 : program in this segment execute time COTI(99.59) : program continue execute this segment no end	COTI	END	00.00	Level 1	SV.TY = PROG
MOLH	<i>0000</i>	Current segment output limit	100.0	0.0	100.0	Level 1	SV.TY=PROG & SET6.4

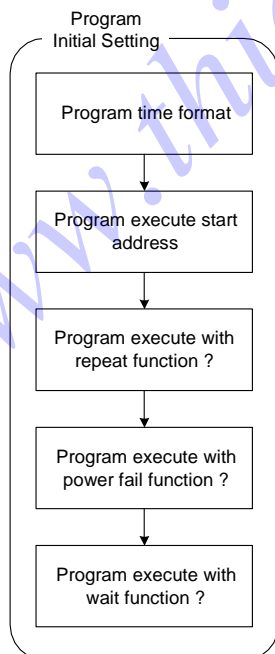
### 13.1 Parameter Setting

Parameter	Symbol	Content	Range		Default	Level	Hide/Display
			MAX	MIN			
PTMD		Program time format 0 : SEC (minute.second) 1 : MIN (hour.minute) 2 : 50MS (50ms)	50MS	SEC	SEC	Level 5	SETE.1
PVST		Program execute start address 0 : OFF (execute from zero) 1 : ON (execute from current PV)	ON	OFF	ON	Level 5	SETE.1
REPT		Program execute repeat 0 : OFF (disable repeat function) Other : Program execute repeat number of times	9999	OFF	OFF	Level 5	SETE.1
POWF		Program execute power fail protection 0 : OFF (disable power fail protection) 1 : ON (enable power fail protection)	ON	OFF	OFF	Level 5	SETE.1
REMO		Remote control program execute OFF : program execute by key ON : program execute by digital input or communication	ON	OFF	OFF	Level 5	SETD.4

### 13.2 Key Operation Description

Functions	Keys	Description
Run		Eexecuting program, PRO_LED lamp ON, Upper area shows 3 times "RUN" messages.
Halt		Pause executing program, PRO_LED lamp remains ON, at this moment upper area will display current temperature value and "HALT" message alternately.
Jump		Jump to the next segment, and it can skip segment continuously.
		Holding UP key and press SET key 1 time to skip 1 segment, press SET key 2 times to skip 2 segments, so on and so forth.
Reset		Stop executing program, PRO_LED lamp OFF, Upper area shows 3 times "REST" messages.
PV/SV monitor		Press the A / M key for 2 seconds jump to the parameter MOUT, then pressing the A / M key for 2 seconds return to PV / SV monitor.

### 13.3 Program Initial Setting



1. Setting program time format setting

Parameter	LED display	Description	Default	Level
PTMD	<i>PEPB</i>	Program time format 0 : SEC (minute.second) 1 : MIN (hour.minute) 2 : 50MS (50ms)	SEC	Level 5

This parameter determines the time-base of TIMER during program execution  
When PTMD = SEC, TIMR = 33.23, it indicates that the execution time of this segment is 33 minutes and 23 seconds  
When PTMD = MIN, TIMR = 33.23, it indicates that the execution time of this segment is 33 hours and 23 minutes

2. Setting program program execute start address

Parameter	LED display	Description	Default	Level
PVST	<i>PVSE</i>	Program execute start address 0 : OFF (execute from zero) 1 : ON (execute from current PV)	ON	Level 5

When program starts, SV initial value will execute according to PVST set value  
(1) PVST =0, PTN=1 PV=50.0 SV\_1=100.0 TIMR=1.00(1 hour)  
When program starts, SV will start to execute from 0.0, and SV shall reach SV\_1 in one hour  
(2) PVST =1, PTN=1 PV=50.0 SV\_1=100.0 TIMR=1.00(1 hour)  
When program starts, SV will start to execute from PV temperature of 50.0, and SV shall reach SV\_1 in one hour

3. Setting program execute with repeat function

Parameter	LED display	Description	Default	Level
REPT	<i>PEPE</i>	Program execute repeat 0 : OFF (disable repeat function) Other : Program execute repeat number of times	OFF	Level 5

When program completes the execution of the final segment, and "END" message is not shown, the program will be executed again.

4. Setting program execute with power failure protection function

Parameter	LED display	Description	Default	Level
POWF	<i>POPE</i>	Program execute power fail protection 0 : OFF (disable power fail protection) 1 : ON (enable power fail protection)	OFF	Level 5

Power failure during program execution, if there is power failure protection function set, controller will execute current segment program after booting finish  
Assume power failure occurring in the segment\_4, ramp temperature from 100°C to 200°C, and power failure occurring at SV=125, the program will execute from 100°C (segment\_4), after controller booting finish

5. Setting program execute via communication or digital input

Parameter	LED display	Description	Default	Level
REMO	<i>PEPB</i>	Remote control program execute OFF : program execute by key ON : program execute by digital input or communication	OFF	Level 5

To control program execution or stop by digital input, please refer to the Chapter 12.6, this function only available in program type controller with digital input option

To control program execution or stop by communication, please refer to the definition of parameter PKE1 in the communication operation manual, this function only available in program type controller with communication option

6. Setting program execute with wait function

Parameter	LED display	Description	Default	Level
WAIT	<i>WAPE</i>	Program execution standby temperature 0 : when program execute do not wait for PV Other values : when PV= (SV-WAIT), program entering next segment	0	Level 1

When program executes, if WAIT=0.0, and SV reaches set temperature, whether PV reaches target temperature or not, the controller will enter the next segment

When program executes, if WAIT value is not 0.0, and SV reaches set temperature, as PV has not reached target temperature, controller will wait for PV temperature to reach (target SV-WAIT)

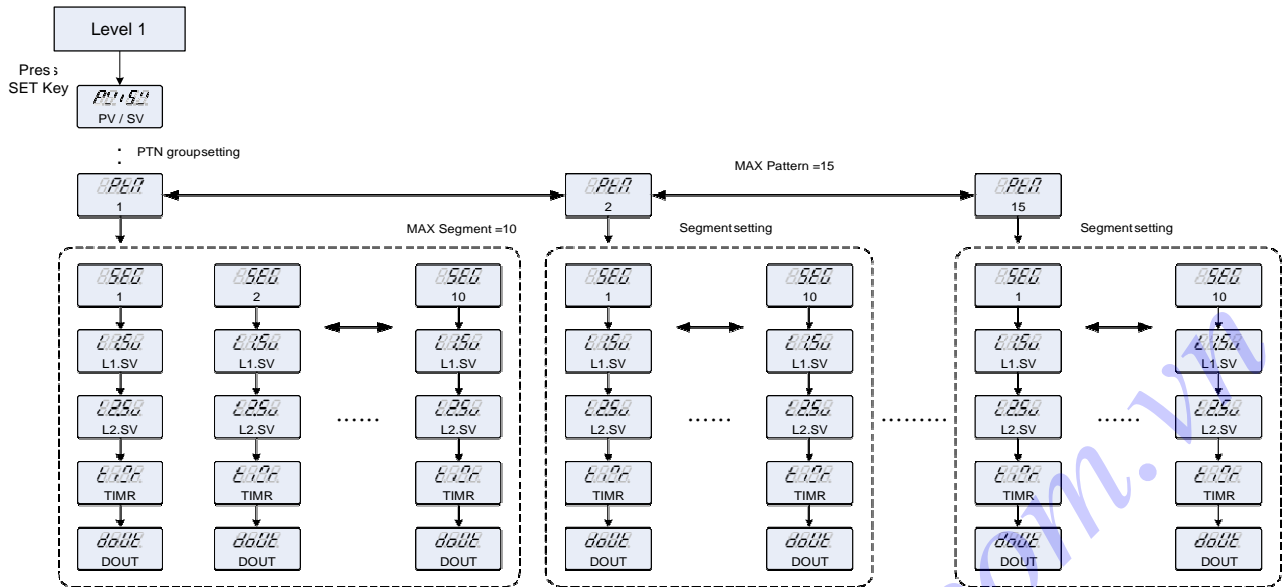
(1) WAIT = 0.0 without wait function set  
Assume the set temperature of current segment is 100.0°C, and as SV reaches the set temperature of this segment, the controller will enter to the next segment

(2) WAIT = 5.0 with wait function set  
Assume the set temperature of current segment is 100.0°C, and as SV reaches the set temperature of this segment, PV temperature needs to reach 100.0-5.0 (SV-WAIT)=95.0 then entering to the next segment

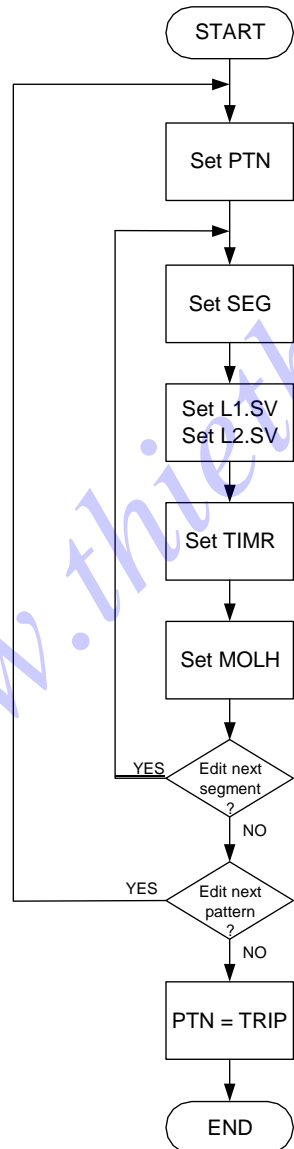
### 13.4 Create Program

There are 15 sets PTN to choose and each PTN have 10 segments for setting

Program structure diagram



Program edit flow-chat



1. Choose program pattern number

Parameter	LED display	Description	Default	Level
PTN	8PTN	Program pattern selection 1~15	1	Level 1

2. Choose program segment number

Parameter	LED display	Description	Default	Level
SEG	8SEG	Program segment selection 1~10	1	Level 1

3. Setting LOOP1 current segment target SV

Parameter	LED display	Description	Default	Level
L1.SV	0150	LOOP1 current segment target SV	100	Level 1

4. Setting LOOP2 current segment target SV

Parameter	LED display	Description	Default	Level
L2.SV	0250	LOOP2 current segment target SV	0	Level 1

5. Setting current segment execute time

Parameter	LED display	Description	Default	Level
TIMR	0000	Current segment execute time setting this parameter determines the link between segment and segment or pattern and pattern  END(-1) : program end in this segment 00.00 : program step change in this segment 00.01~99.58 : program in this segment execute time COTI(99.59) : program continue execute this segment no end	00.10	Level 1

TIMR setting explain :

In segment\_5(SEG\_5) setting TIMR=END

→ When the program finishes segment\_4(SEG\_4), program end and display "END" message, can't jump to next segment.

In segment\_5(SEG\_5) setting TIMR=00.00

→ When the program finishes segment\_4(SEG\_4), jump to next segment SV change suddenly

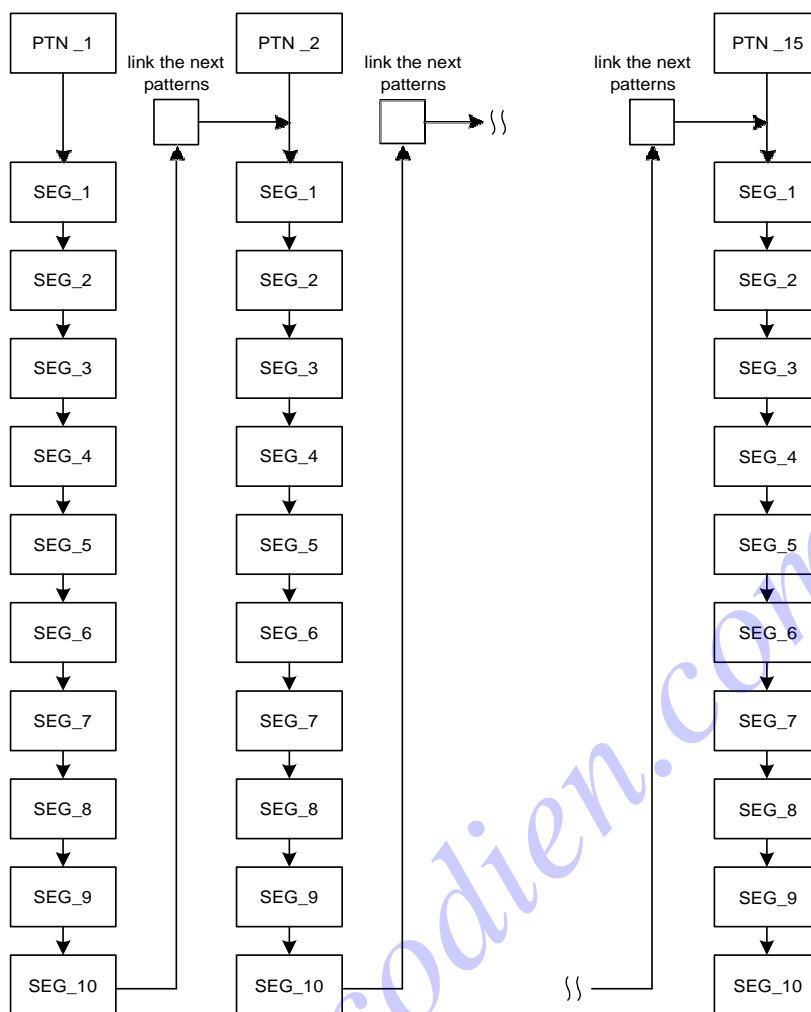
In segment\_5(SEG\_5) setting TIMR=10.00

→ When the program finishes segment\_4(SEG\_4), jump to next segment and executing TIMR setting value

In segment\_5(SEG\_5) setting TIMR=COTI

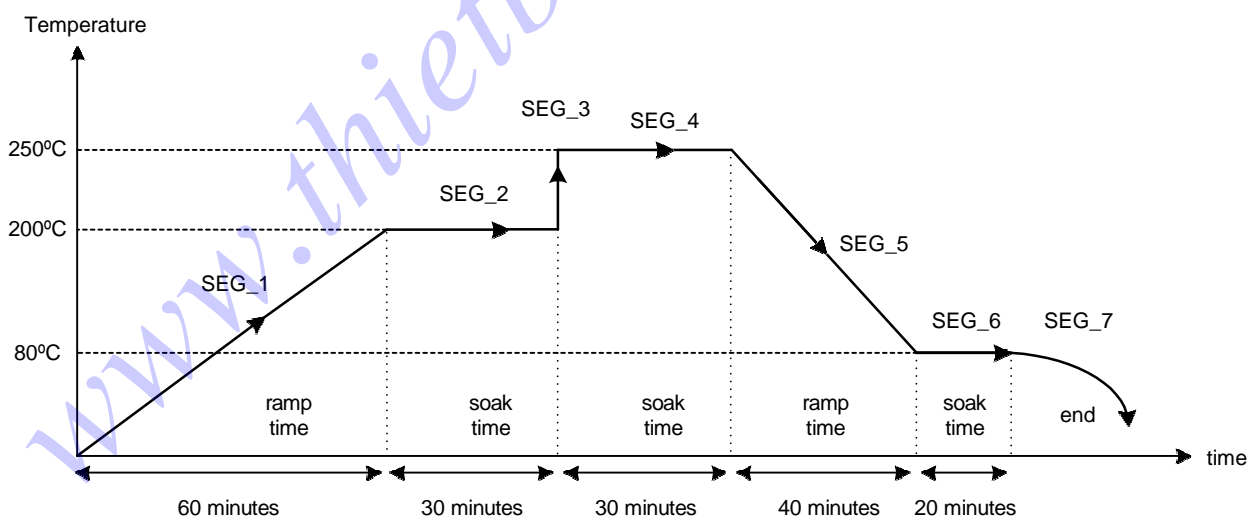
→ When the program finishes segment\_4(SEG\_4), jump to next segment and executing continue can't jump to next segment or end state

### 13.5 Program Execution Flow



### 13.6 Program Setting Example

In pattern\_1 edit program ramp, soak, step and continue



Initial setting

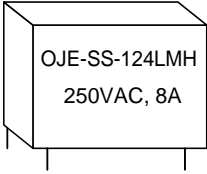
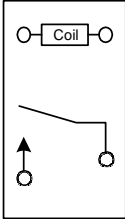
PTMD = SEC	PVST = OFF	REPT = OFF	POWF = ON	WAIT = 0.5
------------	------------	------------	-----------	------------

Program edit

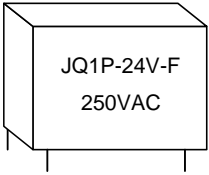
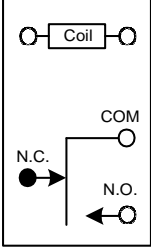
Segment_1	Segment_2	Segment_3	Segment_4	Segment_5	Segment_6	Segment_7
PTN = 1	PTN = 1	PTN = 1	PTN = 1	PTN = 1	PTN = 1	PTN = 1
SV_1 = 200	SV_2 = 200	SV_3 = 250	SV_4 = 250	SV_5 = 80	SV_6 = 80	SV_7 = 0
TM_1 = 60.00	TM_2 = 30.00	TM_3 = 0.00	TM_4 = 30.00	TM_5 = 40.00	TM_6 = 45.00	TM_7 = END
MOLH = 100.0	MOLH = 100.0	MOLH = 100.0	MOLH = 100.0	MOLH = 100.0	MOLH = 100.0	MOLH = 0.0

## 14. Modification Of Output Module

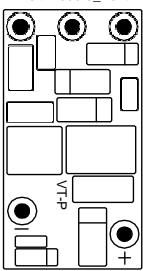

### 14.1 Relay Control (1a)

Side view	Bottom view	Software Setting
 <p>OJE-SS-124LMH 250VAC, 8A</p>		<p>Parameter set as "CYT1 =10"</p>

### 14.2 Relay Control (1c)

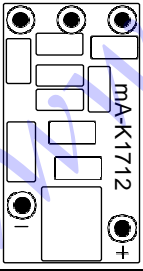
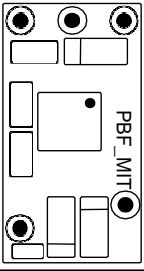
Side view	Bottom view	Software Setting
 <p>JQ1P-24V-F 250VAC</p>		<p>Parameter set as "CYT1 =10"</p>

### 14.3 SSR Control

Top view	Bottom view	Software Setting
 <p>Volt module_front</p>	 <p>Volt module_back</p> <p>VOLT_Pulse-K1712 Made In Taiwan</p>	<p>Parameter set as "CYT1 =1"</p>

### 14.4 Linear Control

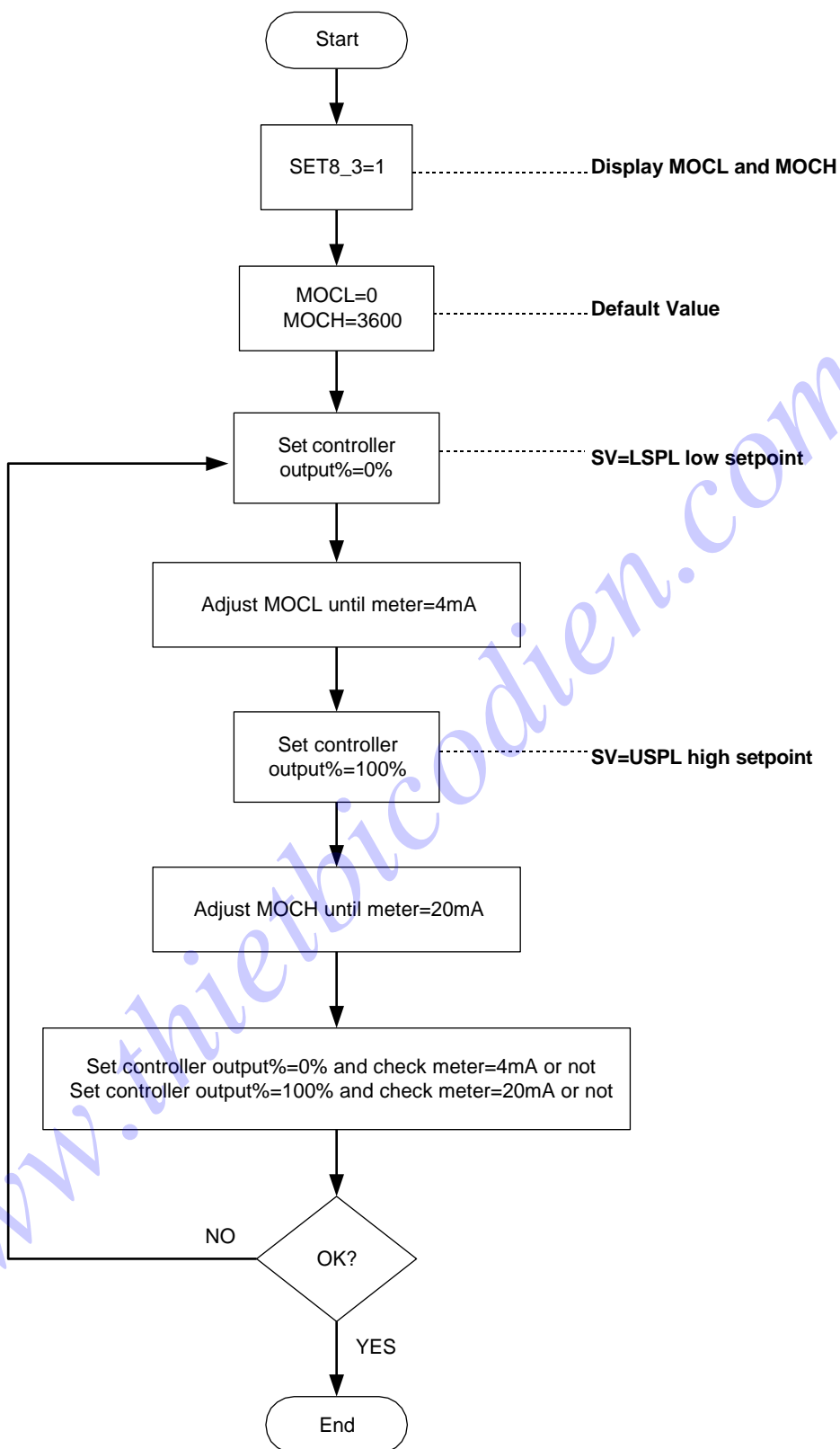
When modifying mA current module, output signal needs to be calibrated, and for detailed calibration procedure, please refer to [Chap. 14.5 Output Calibration Procedure Diagram](#)

Top view	Bottom view	Software Setting
 <p>mA module_front</p>	 <p>mA module_back</p> <p>PBF_MITT</p>	<p>Parameter set as "CYT1 =0"</p>



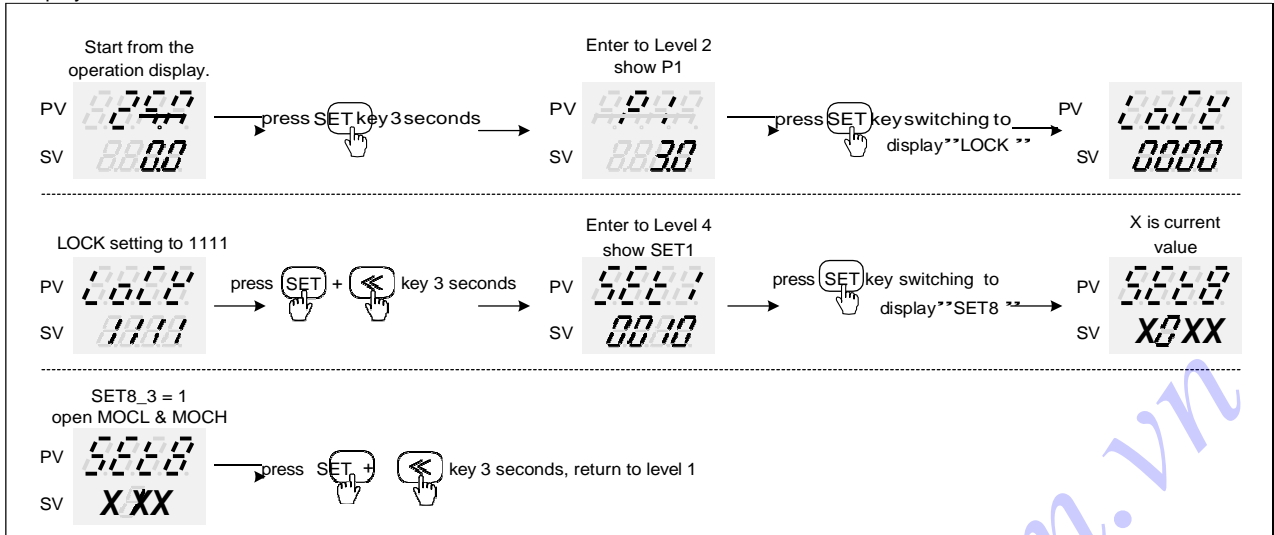
## 14.5 Output Calibration Procedure Diagram

Output1 Signal (4mA~20mA) calibration flowchart



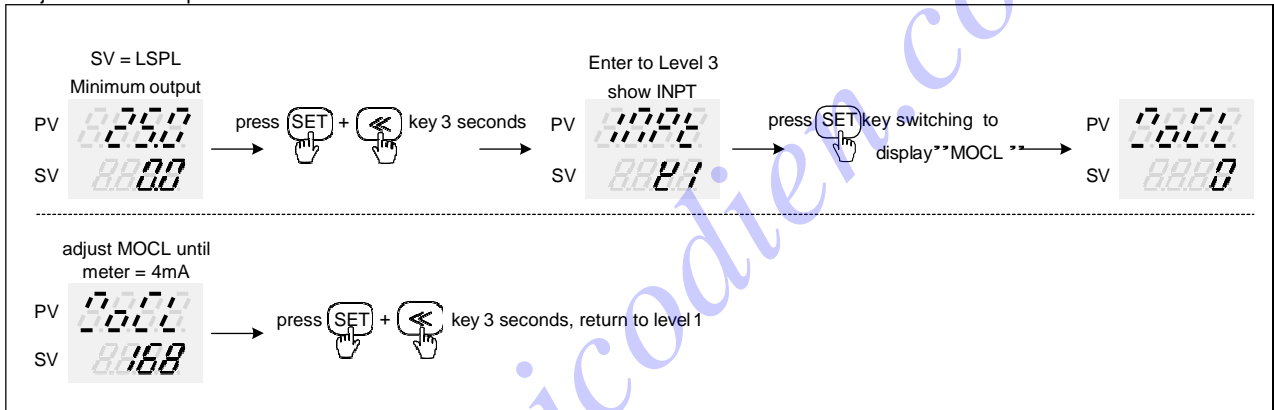
## 14.6 Output Calibration Steps

### 1. Display MOCL & MOCH :



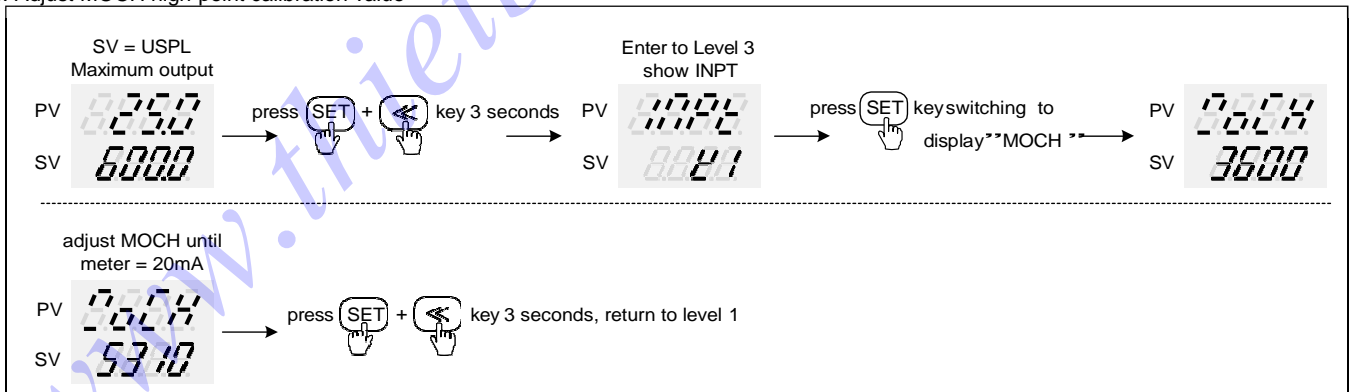
※ : X is default value which does not need to be modified

### 2. Adjust MOCL low-point calibration value :



※ : MOCL calibration value of each controller is different from the other

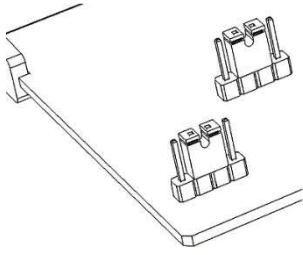
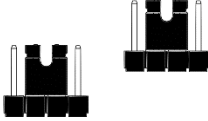
### 3. Adjust MOCH high-point calibration value



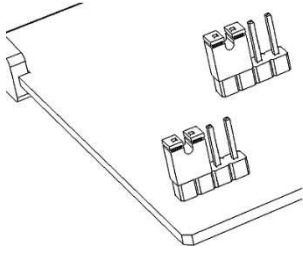
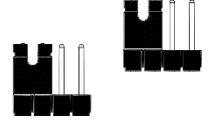
※ : MOCH calibration value of each controller is different from the other

## 15. Modification Of Input Signal

### 15.1 Input Modify To Thermocouple

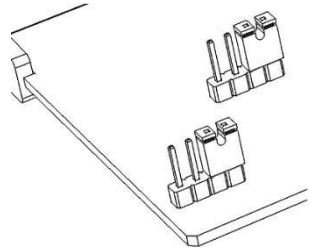
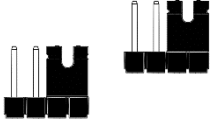
Jumper Position		Software Setting
Plug 2 pcs of Jumper into the middle slot as shown		
		Parameter set as "INPT=K1~L"

### 15.2 Input Modify To RTD

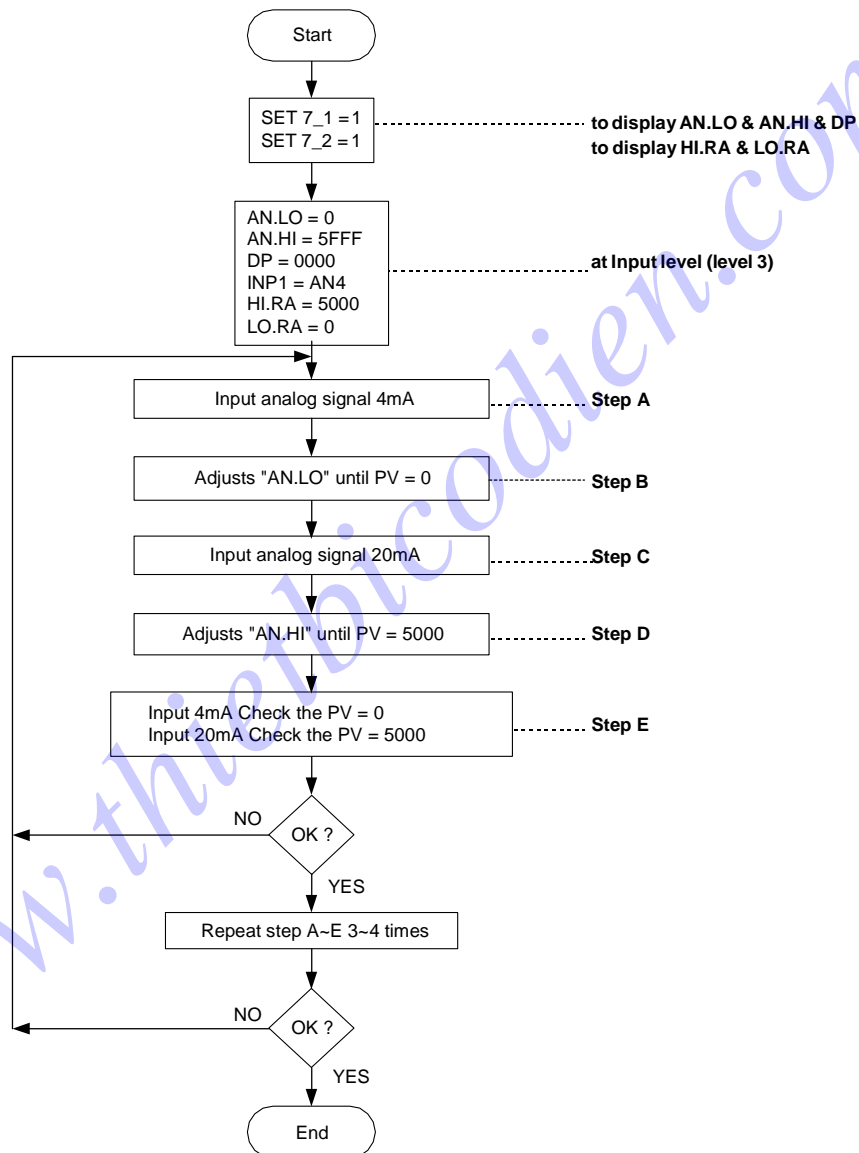
Jumper Position		Software Setting
Plug 2 pcs of Jumper into the left slot as shown		
		Parameter set "INPT=PT1~PT3"

www.thietbicodien.com.vn

### 15.3 Input Modify To Linear (4~20mA)

Jumper Position		Software Setting
Plug 2 pcs of Jumper into the right slot as shown		Parameter set as "INPT=AN4"
		

Linear analog signal (4~20mA) calibration flowchart



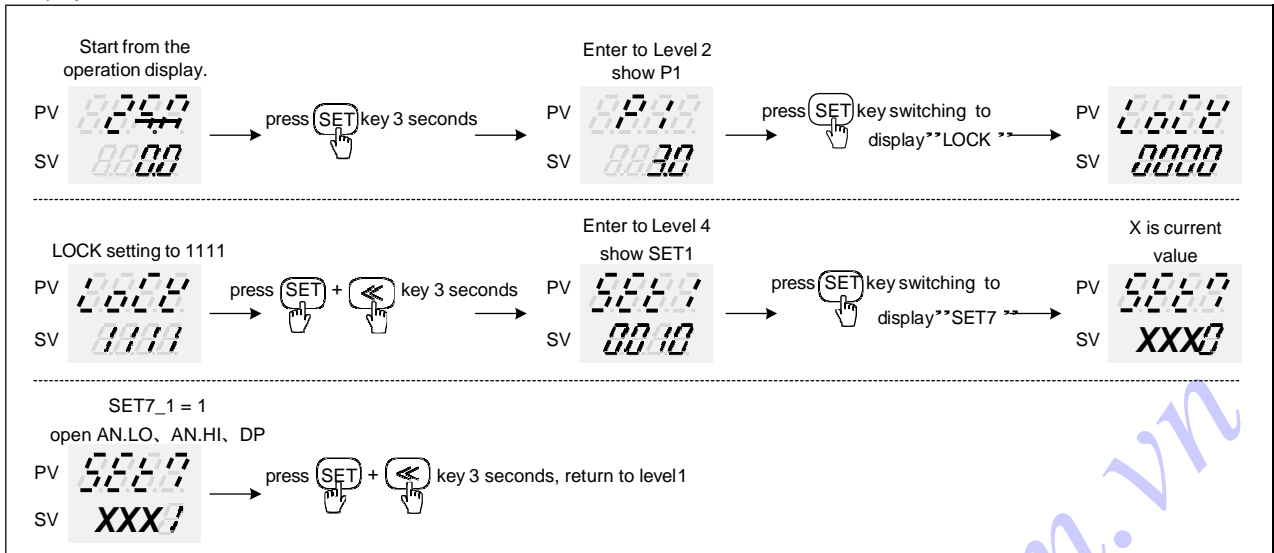
Set the range you want  
 Low = LO.RA , High = HI.RA  
 Ex: Low = -10.0 , High = 10.0  
 Set LO.RA = -10.0 , HI.RA = 10.0 , DP: 000.0

**Notes**

1. When TC/RTD input is modified to linear analog signal (4~20mA), input signal needs to be calibrated.
2. When linear analog signal (4~20mA) input is modified to TC/RTD, please memory current AN.LO and AN.HI value and recover AN.LO and AN.HI to default value (AN.LO = 0, AN.HI = 5FFF)

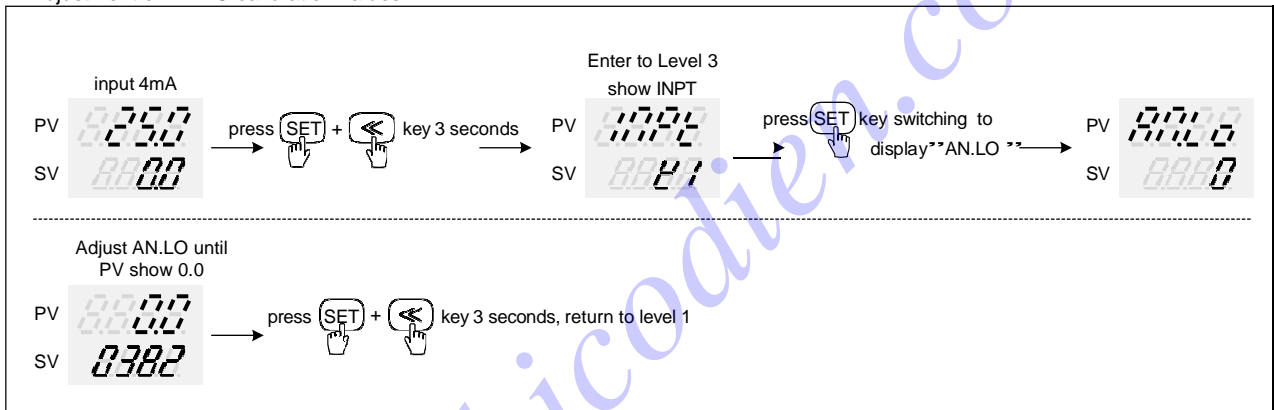
## 15.4 Steps For Input Calibration

### 1. Display AN.LO, AN.HI, DP :



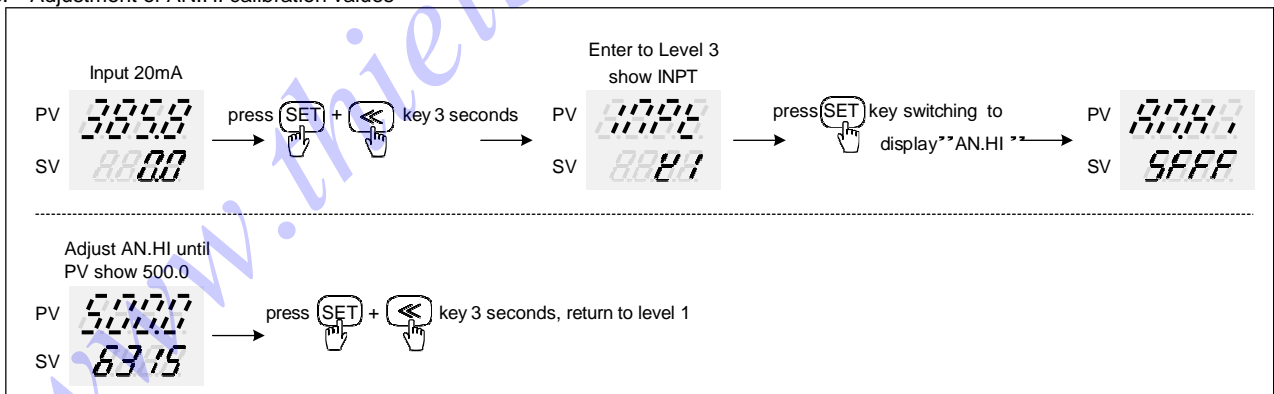
※ X is the default value which does not require modification

### 2. Adjustment of AN.LO calibration values



※ AN.LO calibration value of each controller is different from the other

### 3. Adjustment of AN.HI calibration values



※ AN.HI calibration value of each controller is different from the other

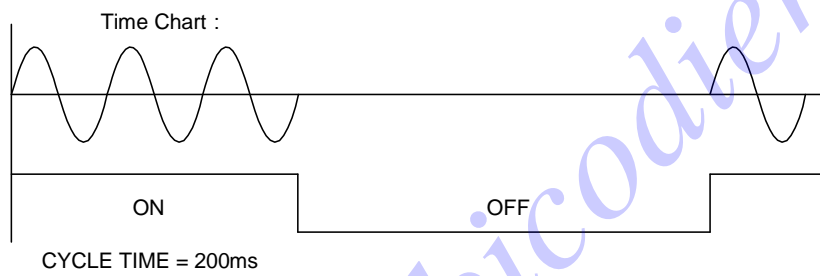
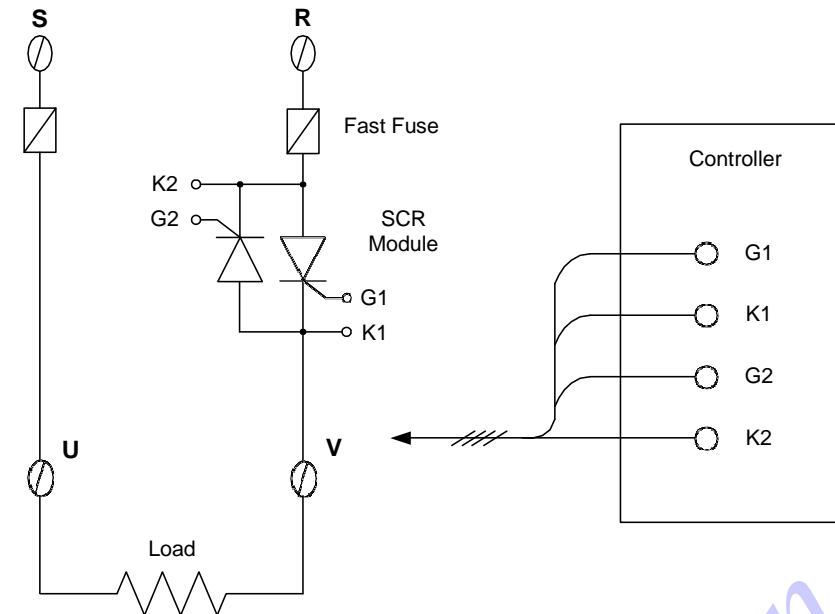
## 16. Zero / Phase Control

### 16.1 1 $\phi$ Zero Cross Control (SCR module)

OUT1 : 1 $\phi$  SCR zero cross control

Parameter setting : OU.TY= 1SCR, CYT1= 1

Wiring Setup:

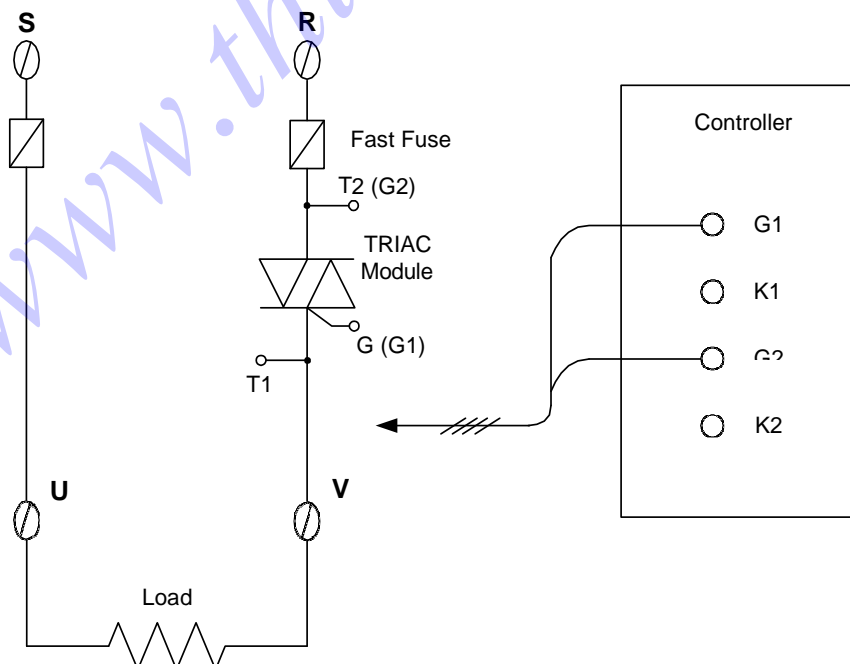


### 16.2 1 $\phi$ Zero Cross Control (TRIAC module)

OUT1 : 1 $\phi$  SCR zero cross control

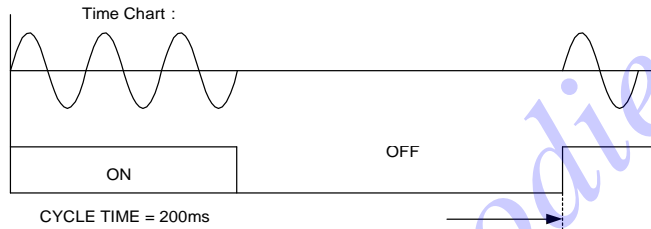
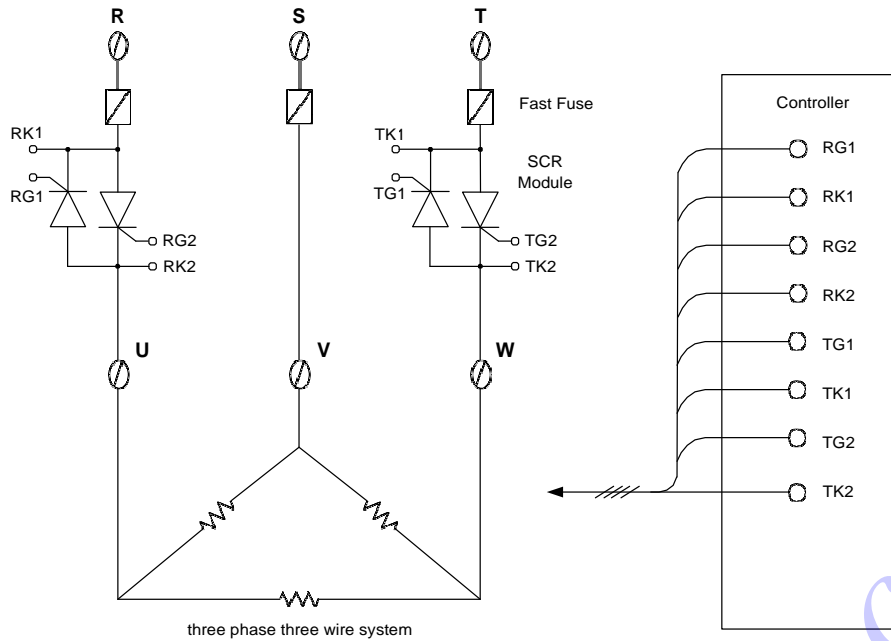
Parameter setting : OU.TY= 1SCR, CYT1= 1

Wiring Setup:



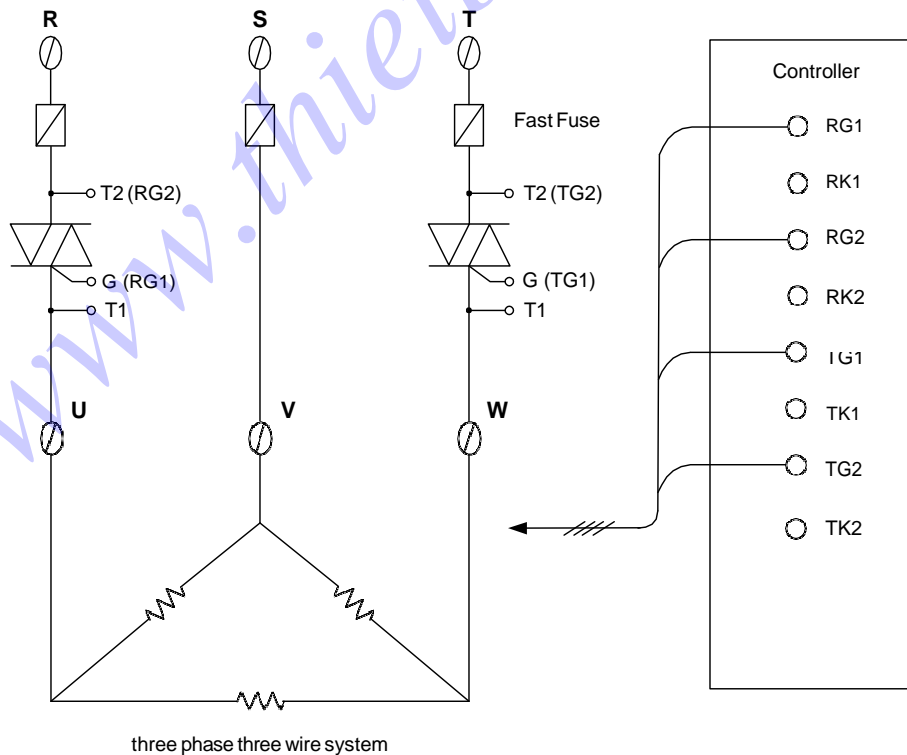
### 16.3 3 $\phi$ Zero Cross Control (SCR module)

OUT1 : 3 $\phi$  SCR zero cross control  
 Parameter setting : OU.TY= 1SCR, CYT1= 1  
 Wiring Setup :



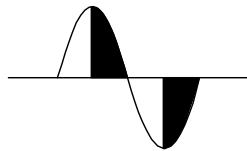
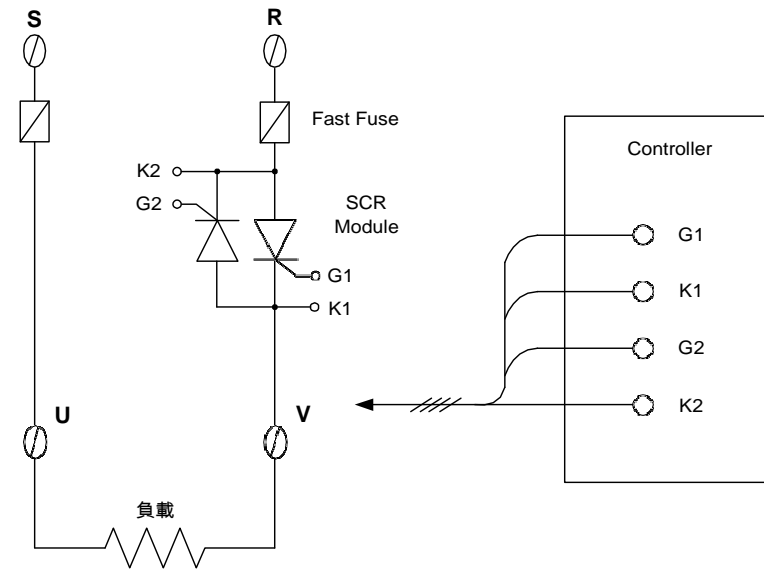
### 16.4 3 $\phi$ Zero Cross Control (TRIAC module)

OUT1 : 3 $\phi$  SCR zero cross control  
 Parameter setting : OU.TY= 1SCR, CYT1= 1  
 Wiring Setup :



### 16.5 1 $\phi$ Phase Angle Control (SCR module)

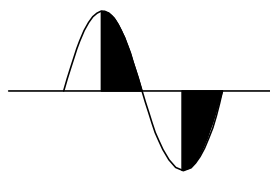
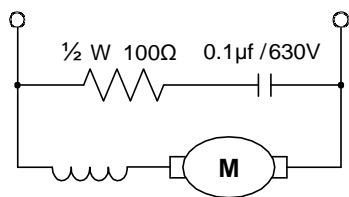
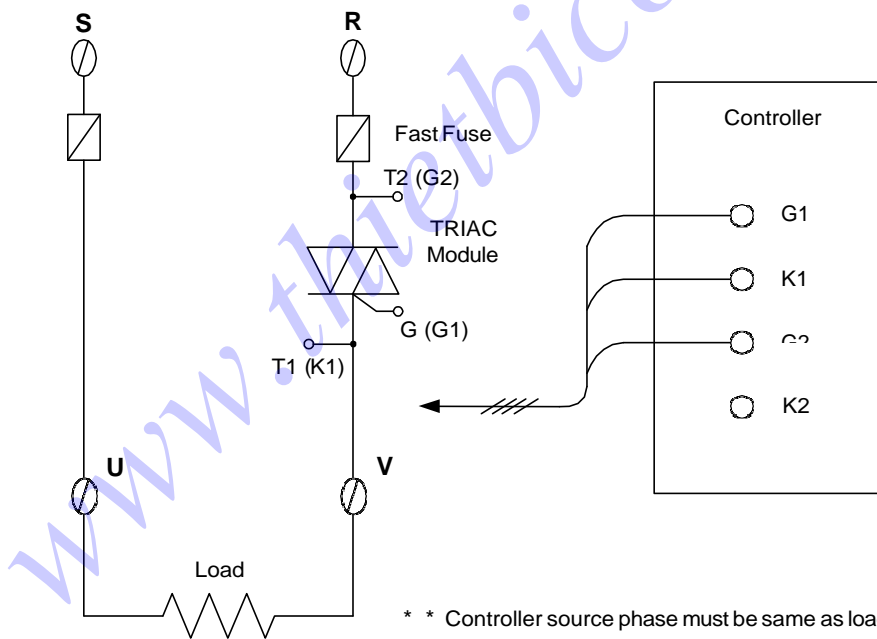
OUT1 : 1 $\phi$  SCR phase angle control  
 Parameter setting : OU.TY= 1SCR, CYT1= 0  
 Wiring Setup :



\*\* Controller source phase must be same as load source phase

### 16.6 1 $\phi$ Phase Angle Control (TRIAC module)

OUT1 : 1 $\phi$  SCR phase angle control  
 Parameter setting : OU.TY= 1SCR, CYT1= 0  
 Wiring Setup :



\*\* Controller source phase must be same as load source phase



## 17. Error Message

If controller exhibits any of the following issues, please proceed with the following procedures

Symbol	Error	Solution
	INIE: Input1 Error	Check whether input loop is opened or wiring is incorrect.
	UUUU: PV is above USPL	Check whether the input value is correct or not.
	NNNN: PV is below LSPL	Check whether the input value is correct or not.

If any of the indication in the table below appear, the controller need to be repaired do not try to repair the controller by yourself, order a new one or contact us to repair.

Symbol	Error	Solution
	ADCF: A/D convert failed	Please send for repair.
	CJER: Cold junction compensation failed	Please send for repair.
	RAMF: EEPROM failed	Please send for repair.

## 18. WT Communication Register Address Table

LOOP1 Parameter address

Parameter	Register Address		R / W
	Hex	Dec	
PV	0x00	0	R
SV	0x01	1	R / W
LOOP	0x02	2	R / W
R_S	0x03	3	R / W
HBCU	0x04	4	R
HBSV	0x05	5	R / W
HBTM	0x06	6	R / W
AL1H	0x07	7	R / W
AL1L	0x08	8	R / W
AL2H	0x09	9	R / W
AL2L	0x0A	10	R / W
AL3H	0x0B	11	R / W
AL3L	0x0C	12	R / W
SV1	0x0D	13	R / W
SV2	0x0E	14	R / W
SV3	0x0F	15	R / W
SV4	0x10	16	R / W
TIM	0x11	17	R / W
CNT	0x12	18	R / W
CUTM	0x13	19	R / W
ONTM	0x14	20	R / W
OFTM	0x15	21	R / W
A_M	0x16	22	R / W
MOU	0x17	23	R / W
AT	0x18	24	R / W
RATE	0x19	25	R / W
RAMP	0x1A	26	R / W
SOAK	0x1B	27	R / W
WAIT	0x1C	28	R / W
DTM1	0x1D	29	R / W
DTM2	0x1E	30	R / W
DTM3	0x1F	31	R / W
DTM4	0x20	32	R / W
DT.ST	0x21	33	R / W
PTN	0x22	34	R / W
SEG	0x23	35	R / W
L1SV	0x24	36	R / W
L2SV	0x25	37	R / W
TIMR	0x26	38	R / W
DOU	0x27	39	R / W
P1	0x28	40	R / W
M_LP	0x29	41	R / W
I1	0x2A	42	R / W
M_LI	0x2B	43	R / W
D1	0x2C	44	R / W
M_LD	0x2D	45	R / W
HYS1	0x2E	46	R / W
CYT1	0x2F	47	R / W

Parameter	Register Address		R / W
	Hex	Dec	
MOLH	0x30	48	R / W
MOLL	0x31	49	R / W
P2	0x32	50	R / W
S_LP	0x33	51	R / W
I2	0x34	52	R / W
S_LI	0x35	53	R / W
D2	0x36	54	R / W
S_LD	0x37	55	R / W
HYS2	0x38	56	R / W
CYT2	0x39	57	R / W
SOLH	0x3A	58	R / W
SOLL	0x3B	59	R / W
MGAP	0x3C	60	R / W
SGAP	0x3D	61	R / W
COU	0x3E	62	R
AT.VL	0x3F	63	R / W
SS.PO	0x40	64	R / W
OPSF	0x41	65	R / W
RC.TO	0x42	66	R / W
LOCK	0x43	67	R / W
INPT	0x44	68	R / W
AN.LO	0x45	69	R / W
AN.HI	0x46	70	R / W
DP	0x47	71	R / W
HI.RA	0x48	72	R / W
LO.RA	0x49	73	R / W
USPL	0x4A	74	R / W
LSPL	0x4B	75	R / W
ALD1	0x4C	76	R / W
ALT1	0x4D	77	R / W
HYA1	0x4E	78	R / W
SEA1	0x4F	79	R / W
ALD2	0x50	80	R / W
ALT2	0x51	81	R / W
HYA2	0x52	82	R / W
SEA2	0x53	83	R / W
ALD3	0x54	84	R / W
ALT3	0x55	85	R / W
HYA3	0x56	86	R / W
SEA3	0x57	87	R / W
MOCL	0x58	88	R / W
MOCH	0x59	89	R / W
SOCL	0x5A	90	R / W
SOCH	0x5B	91	R / W
MV.SF	0x5C	92	R / W
RC.TI	0x5D	93	R / W
UNIT	0x5E	94	R / W
OUTM	0x5F	95	R / W

## 18. WT Communication Register Address Table

LOOP1 Parameter address

Parameter	Register Address		R / W
	Hex	Dec	
SV.OS	0x60	96	R / W
PV.OS	0x61	97	R / W
PV.OH	0x62	98	R / W
MLNB	0x63	99	R / W
COMP	0x64	100	R / W
OFFS	0x65	101	R / W
SV.TY	0x66	102	R / W
OU.TY	0x67	103	R / W
PMAC	0x68	104	R / W
FKSL	0x69	105	R / W
BASE	0x6A	106	R / W
TP_K	0x6B	107	R / W
TMSL	0x6C	108	R / W
MVRT	0x6D	109	R / W
HYSM	0x6E	110	R / W
RH.TC	0x6F	111	R / W
RH.PO	0x70	112	R / W
RH.TM	0x71	113	R / W
PR.SV	0x72	114	R / W
AT.SV	0x73	115	R / W
SET1	0x74	116	R / W
SET2	0x75	117	R / W
SET3	0x76	118	R / W
SET4	0x77	119	R / W
SET5	0x78	120	R / W
SET6	0x79	121	R / W
SET7	0x7A	122	R / W
SET8	0x7B	123	R / W
SET9	0x7C	124	R / W
SETA	0x7D	125	R / W
SETB	0x7E	126	R / W
SETC	0x7F	127	R / W
SETD	0x80	128	R / W
SETE	0x81	129	R / W
SETF	0x82	130	R / W
HZ	0x106	262	R / W
PRTO	0x107	263	R
FOMA	0x108	264	R
IDNO	0x109	265	R
BAUD	0x10A	266	R
RPDT	0x10B	267	R / W
AOEN	0x10C	268	R / W

Parameter	Register Address		R / W
	Hex	Dec	
AOSL	0x10D	269	R / W
AO.LO	0x10E	270	R / W
AO.HI	0x10F	271	R / W
AOCL	0x110	272	R / W
AOCH	0x111	273	R / W
CTR1	0x112	274	R / W
D1SL	0x113	275	R / W
D2SL	0x114	276	R / W
REMO	0x115	277	R / W
CJSL	0x116	278	R / W
CJMN	0x117	279	R / W
CJTC	0x118	280	R / W
W_MD	0x119	281	R
RMAP	0x11A	282	R / W
OPSL	0x11B	283	R / W
POTM	0x11C	284	R / W
PTMD	0x11D	285	R / W
PVST	0x11E	286	R / W
REPT	0x11F	287	R / W
POWF	0x120	288	R / W
D01	0x121	289	R / W
D02	0x122	290	R / W
D03	0x123	291	R / W
D04	0x124	292	R / W
D05	0x125	293	R / W
D06	0x126	294	R / W
D07	0x127	295	R / W
D08	0x128	296	R / W
D09	0x129	297	R / W
D10	0x12A	298	R / W
D11	0x12B	299	R / W
D12	0x12C	300	R / W
D13	0x12D	301	R / W
D14	0x12E	302	R / W
D15	0x12F	303	R / W
D16	0x130	304	R / W
D17	0x131	305	R / W
D18	0x132	306	R / W
D19	0x133	307	R / W
D20	0x134	308	R / W



## 20. Program Design Table

OUTM(control action)	<input type="checkbox"/> HEAT
	<input type="checkbox"/> COOL
WAIT (SET4.1)	
REPT(SETE.1)	<input type="checkbox"/> 0 : OFF (disable repeat function)
	<input type="checkbox"/> Other : repeat number of times
POWF (SETE.1)	<input type="checkbox"/> 0 : OFF (disable power fail protection)
	<input type="checkbox"/> 1 : ON (enable power fail protection)
PVST (SETE.1)	<input type="checkbox"/> 0 : OFF (execute from zero)
	<input type="checkbox"/> 1 : ON (execute from current PV)
PTMD (SETE.1)	<input type="checkbox"/> 0 : SEC (minute. second)
	<input type="checkbox"/> 1 : MIN (hour.minute)
	<input type="checkbox"/> 2 : 50MS (50ms)

SEG	Parameter	PTN=1	PTN=2	PTN=3	PTN=4	PTN=5	PTN=6	PTN=7	PTN=8
1	L1.SV								
	TIMR								
	MOLH								
2	L1.SV								
	TIMR								
	MOLH								
3	L1.SV								
	TIMR								
	MOLH								
4	L1.SV								
	TIMR								
	MOLH								
5	L1.SV								
	TIMR								
	MOLH								
6	L1.SV								
	TIMR								
	MOLH								
7	L1.SV								
	TIMR								
	MOLH								
8	L1.SV								
	TIMR								
	MOLH								
9	L1.SV								
	TIMR								
	MOLH								
10	L1.SV								
	TIMR								
	MOLH								

SEG	Parameter	PTN=9	PTN=10	PTN=11	PTN=12	PTN=13	PTN=14	PTN=15
1	L1.SV							
	TIMR							
	MOLH							
2	L1.SV							
	TIMR							
	MOLH							
3	L1.SV							
	TIMR							
	MOLH							
4	L1.SV							
	TIMR							
	MOLH							
5	L1.SV							
	TIMR							
	MOLH							
6	L1.SV							
	TIMR							
	MOLH							
7	L1.SV							
	TIMR							
	MOLH							
8	L1.SV							
	TIMR							
	MOLH							
9	L1.SV							
	TIMR							
	MOLH							
10	L1.SV							
	TIMR							
	MOLH							

www.thietbicodien.com.vn

## 21. Glossary Of Characters Used In This Manual

LED Display										
Characters	0	1	2	3	4	5	6	7	8	9
LED Display										
Characters	A	B	C	D	E	F	G	H	I	J
LED Display										
Characters	K	L	M	N	O	P	Q	R	S	T
LED Display										
Characters	U	V	W	X	Y	Z	°C	°F		

[www.thietbico dien.com.vn](http://www.thietbico dien.com.vn)

## 22. WT Parameter Abbreviation Descriptions

PV	Process value
SV	Set value
LOOP	Loop
R_S	Run_Stop
HBCU	Heater Break Current
HBSV	Heater Break SV
HBTM	Heater Break timer
AL1H	Alarm 1 high value
AL1L	Alarm 1 low value
AL2H	Alarm 2 high value
AL2L	Alarm 2 low value
AL3H	Alarm 3 high value
AL3L	Alarm 3 low value
SV1~SV4	Set value 1~4
TIM	Timer
CNT	Counter
CUTM	Current time
ONTM	ON time
OFTM	OFF time
A_M	Auto_manual
MOU	Manual out
AT	Control mode
RATE	Rate
RAMP	Ramp
SOAK	Soak
WAIT	Program action waiting for temperature
DTM1~DTM4	Do timer 1~4
DT.ST	Do timer set
PTN	Pattern
SEG	Segment
L1SV	Loop 1 SV
L2SV	Loop 2 SV
TIMR	Use for program
DOUT	Digit out
P1	Main proportional band
M_LP	Main low proportional band
I1	Main integral
M_LI	Main low integral
D1	Main differential
M_LD	Main low differential
HYS1	Main hysteresis
CYT1	Main cycle time
MOLH	Main output limit high
MOLL	Main output limit low
P2	Sub proportional band
S_LP	Sub low proportional band
I2	Sub integral
S_LI	Sub low integral
D2	Sub differential
S_LD	Sub low differential
HYS2	Sub hysteresis
CYT2	Sub cycle time
SOLH	Sub output limit high
SOLL	Sub output limit low
MGAP	Main gap
SGAP	Sub gap
COU	Current output
AT.VL	Autotune offset value
SS.PO	Steady state power
OPSF	Output special function
RC.TO	Low pass filter RC const.time for output
LOCK	Lock
INPT	Input type
AN.LO	Analog input calibrate low
AN.HI	Analog input calibrate high
DP	Point
HI.RA	High range
LO.RA	Low range
USPL	Upper set point limit
LSPL	Lower set point limit
ALD1	Alarm 1 mode
ALT1	Alarm 1 timer
HYA1	Hysteresis for alarm 1
SEA1	Special function for alarm 1
ALD2	Alarm 2 mode

## 22. WT Parameter Abbreviation Descriptions

ALT2	Alarm 2 timer
HYA2	Hysteresis for alarm 2
SEA2	Special function for alarm 2
ALD3	Alarm 3 mode
ALT3	Alarm 3 timer
HYA3	Hysteresis for alarm 3
SEA3	Special function for alarm 3
MOCL	Main output calibrate low
MOCH	Main output calibrate high
SOCL	Sub output calibrate low
SOCH	Sub output calibrate high
MV.SF	mV special function for input
RC.TI	Low pass filter RC const.time for input
UNIT	Unit
OUTM	Output mode
SV.OS	SV offset
PV.OS	PV offset
PV.OH	PV offset high
MLNB	Manual linearize number
COMP	Compare for manual linearize
OFFS	Offset for manual linearize
SV.TY	SV type
OU.TY	Output type
PMAC	Process RC const.Gain
FKSL	function key select
BIAS	---
TP_K	---
TMSL	Timer mode select
MVRT	Motor value run time
HYSM	Hysteresis for motor value
RH.TC	( Relative humidity ) temperature of except wet
RH.PO	( Relative humidity ) power of except wet
RH.TM	( Relative humidity ) time of except wet
PR.SV	Pretune SV
AT.SV	Autotune SV
SET1	---
SET2	---
SET3	---
SET4	---
SET5	---
SET6	---
SET7	---
SET8	---
SET9	---
SETA	---
SETB	---
SETC	---
SETD	---
SETE	---
SETF	---
HZ	HZ
PRTO	Protocol
FOMA	Data format
IDNO	ID number
BAUD	Baud rate
RPDT	Response Delay time
AOEN	Analog output enable
AOSL	Analog output signal select
AO.LO	Analog output scale low
AO.HI	Analog output scale high
AOCL	Analog output calibrate low
AOCH	Analog output calibrate high
CTRT	Current transformer ratio
D1SL	Digital input 1 select
D2SL	Digital input 2 select
REMO	Program remote control
CJSL	Cold junction select
CJMN	Manual set cold junction
CJTC	Cold junction temperature
W_MD	Write mode for uart
RMAP	Ram mapping
OPSL	Output select
POTM	Power ON delay time



## 22. WT Parameter Abbreviation Descriptions

PTMD	Program time mode
PVST	PV start
REPT	Repeat
POWF	Power failure

[www.thietbicodien.com.vn](http://www.thietbicodien.com.vn)

[www.thietbicodien.com.vn](http://www.thietbicodien.com.vn)

[www.thietbico dien.com.vn](http://www.thietbico dien.com.vn)

[www.thietbicodien.com.vn](http://www.thietbicodien.com.vn)

[www.thietbico Dien.com.vn](http://www.thietbico Dien.com.vn)

[www.thietbicodien.com.vn](http://www.thietbicodien.com.vn)