

# Connector PowerTOP Xtra

Part Number: 14624



**MENNEKES**

Elektrotechnik GmbH & Co. KG  
Aloys-Mennekes-Straße 1  
57399 KIRCHHUNDEM GERMANY  
[www.MENNEKES.org](http://www.MENNEKES.org)

# Product Description

- screw connection technology ErgoCONTACT
- X-CONTACT
- ergonomic enclosure design with nubbed grip zones
- rubberised cable gland with sealing
- rubberised bayonet ring
- sealed against dust, temporary submersion and high pressure cleaning
- strain relief and protection against kinking
- thread lock and safety slide
- area for self-adhesive labels

# Technical Details

Connector - PowerTOP Xtra	14624
Product series	PowerTOP Xtra
Ampere	16A
Number of Poles	5p
Clock position	6h
Voltage	400V
Hertz	50-60 Hz
Current Type	AC
Protection Type	IP67/IP69
Contact carrier	Standard X-CONTACT
Pilot contact	Without pilot contact
Connection	Screw terminals - ErgoCONTACT
Screw drive contact screw	Combination head screw (PZ2 and slotted)
Conductor cross-section min.	1 mm <sup>2</sup>
Conductor cross-section max.	2,5 mm <sup>2</sup>

Cable kink protection	Integrated in cable gland
Protective grommet	Without protective grommet
Weight (net)	335g
EAN / Identification number	4015394302490

### Permissible ambient conditions

Permanent ambient temperature min. - max.	-25 °C - +40 °C
-------------------------------------------	-----------------

### Material properties

Hinged lid	PA6 similar RAL 3013 red
Cover	PA6 similar RAL 7000 squirrel grey
Front part	PA6 similar RAL 3013 red

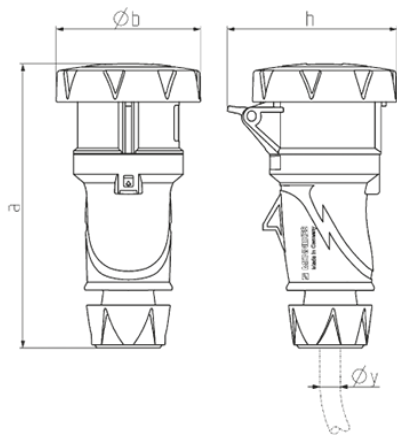
### Material resistance

The material resistance overview can be found on the website in the section “Knowledge” → “Product knowledge” → “Materials”

### Regulations and Standards

RoHS 2011/65/EU incl. 2015/863/EU	✓
POP Regulation (EU) 2019/1021	✓
Norm(s)	IEC 60309-2
Declaration of conformity	CE
Certification	-

# Dimensional drawing



Zeichnung	Amp. Pole	16			32			
		3	4	5	3	4	5	
3 MB 82	Maße in mm	a	167	177	179	213	213	214
		b	73	82	89	97	97	103
		h	89	99	105	109	109	115
	y min	7	8	8	10,5	10,5	13,5	
	bis max. mm	-13	-15,5	-15,5	-18	-18	-20	
	Klemmen für Leiterquer-	1	1	1	2,5	2,5	2,5	
	schnitt von bis mm <sup>2</sup>	-2,5	-2,5	-2,5	-6	-6	-6	