

Connector PowerTOP Xtra

Part Number: 14629



MENNEKES

Elektrotechnik GmbH & Co. KG
Aloys-Mennekes-Straße 1
57399 KIRCHHUNDEM GERMANY
www.MENNEKES.org

Product Description

- screw connection technology ErgoCONTACT
- X-CONTACT
- ergonomic enclosure design with nubbed grip zones
- rubberised cable gland with sealing
- rubberised bayonet ring
- sealed against dust, temporary submersion and high pressure cleaning
- strain relief and protection against kinking
- thread lock and safety slide
- area for self-adhesive labels

Technical Details

Connector - PowerTOP Xtra	14629
Product series	PowerTOP Xtra
Ampere	32A
Number of Poles	5p
Clock position	6h
Voltage	400V
Hertz	50-60 Hz
Current Type	AC
Protection Type	IP67/IP69
Contact carrier	Standard X-CONTACT
Pilot contact	Without pilot contact
Connection	Screw terminals - ErgoCONTACT
Screw drive contact screw	Combination head screw (PZ2 and slotted)
Conductor cross-section min.	2,5 mm ²
Conductor cross-section max.	6 mm ²

Cable kink protection	Integrated in cable gland
Protective grommet	Without protective grommet
Weight (net)	510g
EAN / Identification number	4015394302476

Permissible ambient conditions

Permanent ambient temperature min. - max.	-25 °C - +40 °C
---	-----------------

Material properties

Hinged lid	PA6 similar RAL 3013 red
Cover	PA6 similar RAL 7000 squirrel grey
Front part	PA6 similar RAL 3013 red

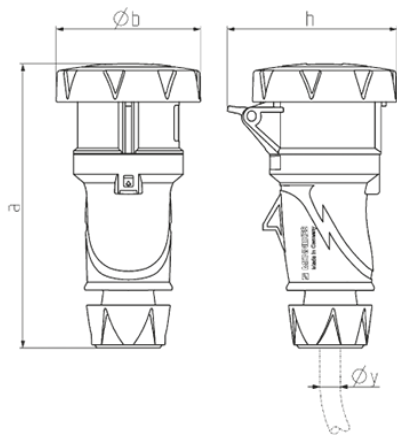
Material resistance

The material resistance overview can be found on the website in the section “Knowledge” → “Product knowledge” → “Materials”

Regulations and Standards

RoHS 2011/65/EU incl. 2015/863/EU	✓
POP Regulation (EU) 2019/1021	✓
Norm(s)	IEC 60309-2
Declaration of conformity	CE
Certification	-

Dimensional drawing



Zeichnung	Amp.	16			32		
		3	4	5	3	4	5
3 MB 82	Pole						
Maße in mm	a	167	177	179	213	213	214
	b	73	82	89	97	97	103
	h	89	99	105	109	109	115
y min		7	8	8	10,5	10,5	13,5
bis max. mm		-13	-15,5	-15,5	-18	-18	-20
Klemmen für Leiterquer-		1	1	1	2,5	2,5	2,5
schnitt von bis mm ²		-2,5	-2,5	-2,5	-6	-6	-6