

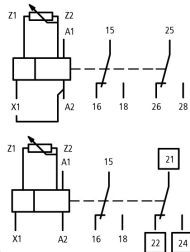


**Timing relay, 2W, 0.05s-100h, multi-function, 24-240VAC/DC, potentiometer connection**

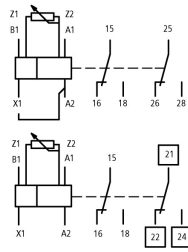
**Part no.** ETR4-70-A  
**Catalog No.** 031888  
**Alternate Catalog No.** XTTR6A100H70B  
**No.**  
**EL-Nummer (Norway)** 0004133311

**Delivery program**

Product range				ETR4 timing relays
Basic function				Timer relays
Function				Multi-functional On-delayed Off-delayed Fleeting contact on energization Fleeting contact on de-energization Flashing, pulse initiating On- and Off-delayed Pulse forming Pulse generating
				With potentiometer connection (10 kΩ) Changeover contact can be converted to 2 timed contacts or 1 non-delayed contact and 1 timed contact Adjustable timing functions
Number of changeover contacts				2
Time range				0.05 s - 100 h
Time range				0.05 - 1 s 0.15 - 3 s 0.5 - 10 s 1.5 - 30 s 5 - 100 s 15 - 300 s 1.5 - 30 min 15 - 300 min 1.5 - 30 h 5 - 100 h
<b>Rated operational current</b>				
AC-14				
300 V	$I_e$	A		3
380 V 400 V 415 V	$I_e$	A		3
				Value applies starting with release 001.
AC-15				
220 V 230 V 240 V	$I_e$	A		3
300 V	$I_e$	A		3
380 V 400 V 415 V	$I_e$	A		3
				Value applies starting with release 001.
Voltage range	$U_{LN}$	V		24 - 240 V AC, 50/60 Hz 24 - 240 V DC
Width		mm		22.5



Terminal marking according to EN 50042



Terminal marking according to EN 50042

## Technical data

### General

Standards			Standard IEC/EN 61812 VDE 0435
Lifespan, mechanical			
AC operated	Operations	$\times 10^6$	30
DC operated	Operations	$\times 10^6$	30
Climatic proofing			Damp heat, constant, to IEC 60068-2-78 Damp heat, cyclic, to IEC 60068-2-30
Ambient temperature			
Ambient temperature, storage		°C	- 45 - + 85
Open		°C	-25 - +60
Enclosed		°C	- 25 - + 45
Mounting position			As required
Mechanical shock resistance (IEC/EN 60068-2-27)			
Half-sinusoidal shock, 20 ms		g	
Make contact		g	4
Degree of protection			
Terminals			IP20
Weight		kg	0.1
Terminal capacities		mm <sup>2</sup>	
Solid		mm <sup>2</sup>	1 x (0.5 - 2.5) 2 x (0.5 - 1.5)
Flexible with ferrule		mm <sup>2</sup>	1 x (0.5 - 2.5) 2 x (0.5 - 1.5)
Solid or stranded		AWG	1 x (20 - 14)

### Contacts

Rated impulse withstand voltage	$U_{imp}$	V AC	4000
Rated impulse withstand voltage	$U_{imp}$	V AC	6000
			Value applies starting with release 001.
Overvoltage category/pollution degree			III/2
Rated insulation voltage	$U_i$	V AC	400
Rated insulation voltage	$U_i$	V AC	600
			Value applies starting with release 001.
Rated operational voltage	$U_e$	V AC	300
Rated operational voltage	$U_e$	V AC	440
			Value applies starting with release 001.
Safe isolation to EN 61140			
between coil and auxiliary contacts		V AC	250
between the auxiliary contacts		V AC	250
Making capacity			
AC-14 $\cos \varphi = 0.3$ 400 V		A	48
AC-15 $\cos \varphi = 0.3$ 220 V		A	50
DC-11 L/R - 40 ms		$\times I_e$	1.1
Breaking capacity			
AC-14 $\cos \varphi = 0.3$ 440 V		A	3
AC-15 $\cos \varphi = 0.3$ 220 V		A	3
DC-11 L/R - 40 ms		$\times I_e$	1.1

Rated operational current	$I_e$	A	
AC-14	$I_e$		
380 V 400 V 415 V	$I_e$	A	3
			Value applies starting with release 001.
AC--14			
440 V	$I_e$	A	3
AC-15			
220 V 230 V 240 V	$I_e$	A	3
DC-11			
Note			Making and breaking conditions to DC13, time constant as stated
L/R max. 15 ms		A	
24 V	$I_e$	A	1.5
L/R max. 50 ms		A	1.2
Conv. thermal current	$I_{th}$	A	6
Short-circuit rating without welding			
Note			When supplied directly from mains or transformer > 1000 VA
Max. fuse, make contacts		A gG/gL	6
Max. fuse, break contacts		A gG/gL	6
Max. overcurrent protective device, 220/230 V		Type	FAZ-B4/1-HI

## Magnet systems

Power consumption			
Pick-up AC		VA	2
Sealing AC		VA	2
Pick-up DC		W	1.8
Sealing DC		W	1.8
Duty factor		% DF	100
Maximum operating frequency		Ops/h	4000
Minimum command time			
AC		ms	50
DC		ms	30
Repetition accuracy (deviation)		%	$\leq 0.5$
Recovery time (after 100% time delay)		ms	70
Contact changeover time	$t_u$	ms	4

## Electromagnetic compatibility (EMC)

Electrostatic discharge (ESD)			
applied standard			IEC/EN 61000-4-2
Air discharge		kV	8
Contact discharge		kV	6
Electromagnetic fields (RFI)			
applied standard			IEC/EN 61000-4-3
		V/m	80 - 1000 MHz: 10 1.4 - 2 GHz: 3 2.0 - 2.7 GHz: 1
Radio interference suppression			EN 55011, Class B (conducted) EN 55011, Class B (radiated)
Burst		kV	Supply cables: 2 Signal cables: 1 according to IEC/EN 61000-4-4
power pulses (Surge)			2 kV (symmetrical) 4 kV (asymmetrical) according to IEC/EN 61000-4-5
Immunity to line-conducted interference to (IEC/EN 61000-4-6)		V	10

## Design verification as per IEC/EN 61439

Technical data for design verification			
Rated operational current for specified heat dissipation	$I_n$	A	6
Heat dissipation per pole, current-dependent	$P_{vid}$	W	1.4
Equipment heat dissipation, current-dependent	$P_{vid}$	W	0

Static heat dissipation, non-current-dependent	P <sub>vs</sub>	W	1.8
Heat dissipation capacity	P <sub>diss</sub>	W	0
Operating ambient temperature min.		°C	-25
Operating ambient temperature max.		°C	60
IEC/EN 61439 design verification			
10.2 Strength of materials and parts			
10.2.2 Corrosion resistance			Meets the product standard's requirements.
10.2.3.1 Verification of thermal stability of enclosures			Meets the product standard's requirements.
10.2.3.2 Verification of resistance of insulating materials to normal heat			Meets the product standard's requirements.
10.2.3.3 Verification of resistance of insulating materials to abnormal heat and fire due to internal electric effects			Meets the product standard's requirements.
10.2.4 Resistance to ultra-violet (UV) radiation			Meets the product standard's requirements.
10.2.5 Lifting			Does not apply, since the entire switchgear needs to be evaluated.
10.2.6 Mechanical impact			Does not apply, since the entire switchgear needs to be evaluated.
10.2.7 Inscriptions			Meets the product standard's requirements.
10.3 Degree of protection of ASSEMBLIES			Does not apply, since the entire switchgear needs to be evaluated.
10.4 Clearances and creepage distances			Meets the product standard's requirements.
10.5 Protection against electric shock			Does not apply, since the entire switchgear needs to be evaluated.
10.6 Incorporation of switching devices and components			Does not apply, since the entire switchgear needs to be evaluated.
10.7 Internal electrical circuits and connections			Is the panel builder's responsibility.
10.8 Connections for external conductors			Is the panel builder's responsibility.
10.9 Insulation properties			
10.9.2 Power-frequency electric strength			Is the panel builder's responsibility.
10.9.3 Impulse withstand voltage			Is the panel builder's responsibility.
10.9.4 Testing of enclosures made of insulating material			Is the panel builder's responsibility.
10.10 Temperature rise			The panel builder is responsible for the temperature rise calculation. Eaton will provide heat dissipation data for the devices.
10.11 Short-circuit rating			Is the panel builder's responsibility. The specifications for the switchgear must be observed.
10.12 Electromagnetic compatibility			Is the panel builder's responsibility. The specifications for the switchgear must be observed.
10.13 Mechanical function			The device meets the requirements, provided the information in the instruction leaflet (IL) is observed.

## Technical data ETIM 7.0

Relays (EG000019) / Timer relay (EC001439)			
Electric engineering, automation, process control engineering / Low-voltage switch technology / Relay and socket / Timed relay (ecl@ss10.0.1-27-37-16-05 [AKF092013])			
Type of electric connection			Screw connection
Function delay-on energization			Yes
Function delay on de-energization			Yes
Function floating contact on energization			Yes
Function floating contact on de-energization			Yes
Function star-delta			No
Function pulse shaping			Yes
Function flashing, starting with pause, fixed time			Yes
Function flashing, starting with pulse, fixed time			Yes
Clock function, starting with pause, variable			Yes
Clock function, starting with pulse, variable			Yes
With plug-in socket			No
Remote operation possible			Yes
Suitable for remote control			No
Pluggable on auxiliary contact block			No
Rated control supply voltage U <sub>s</sub> at AC 50HZ		V	24 - 240
Rated control supply voltage U <sub>s</sub> at AC 60HZ		V	24 - 240
Rated control supply voltage U <sub>s</sub> at DC		V	24 - 240
Voltage type for actuating			AC/DC
Nominal current		A	3

Time range	s	0.05 - 360000
Number of outputs, undelayed, normally closed contact		0
Number of outputs, undelayed, normally open contact		0
Number of outputs, undelayed, change-over contact		2
Number of outputs, delayed, normally closed contact		0
Number of outputs, delayed, normally open contact		0
Number of outputs, delayed, change-over contact		2
Outputs, reversible delayed/undelayed		Yes
With semiconductor output		No
Suitable for DIN rail (top hat rail) mounting		Yes
Suitable for front mounting		No
Width	mm	23
Height	mm	83
Depth	mm	103

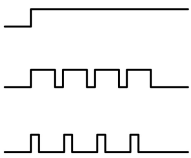
## Approvals

Product Standards		IEC/EN 61812-1; IEC/EN 60947-5-1; UL 508; CSA-22.2 No. 14; CE marking
UL File No.		E29184
UL Category Control No.		NKCR
CSA File No.		12528
CSA Class No.		3211-03
North America Certification		UL listed, CSA certified
Degree of Protection		IEC: IP20, UL/CSA Type: -

## Characteristics

### Flow diagram for timing functions

#### LED legend



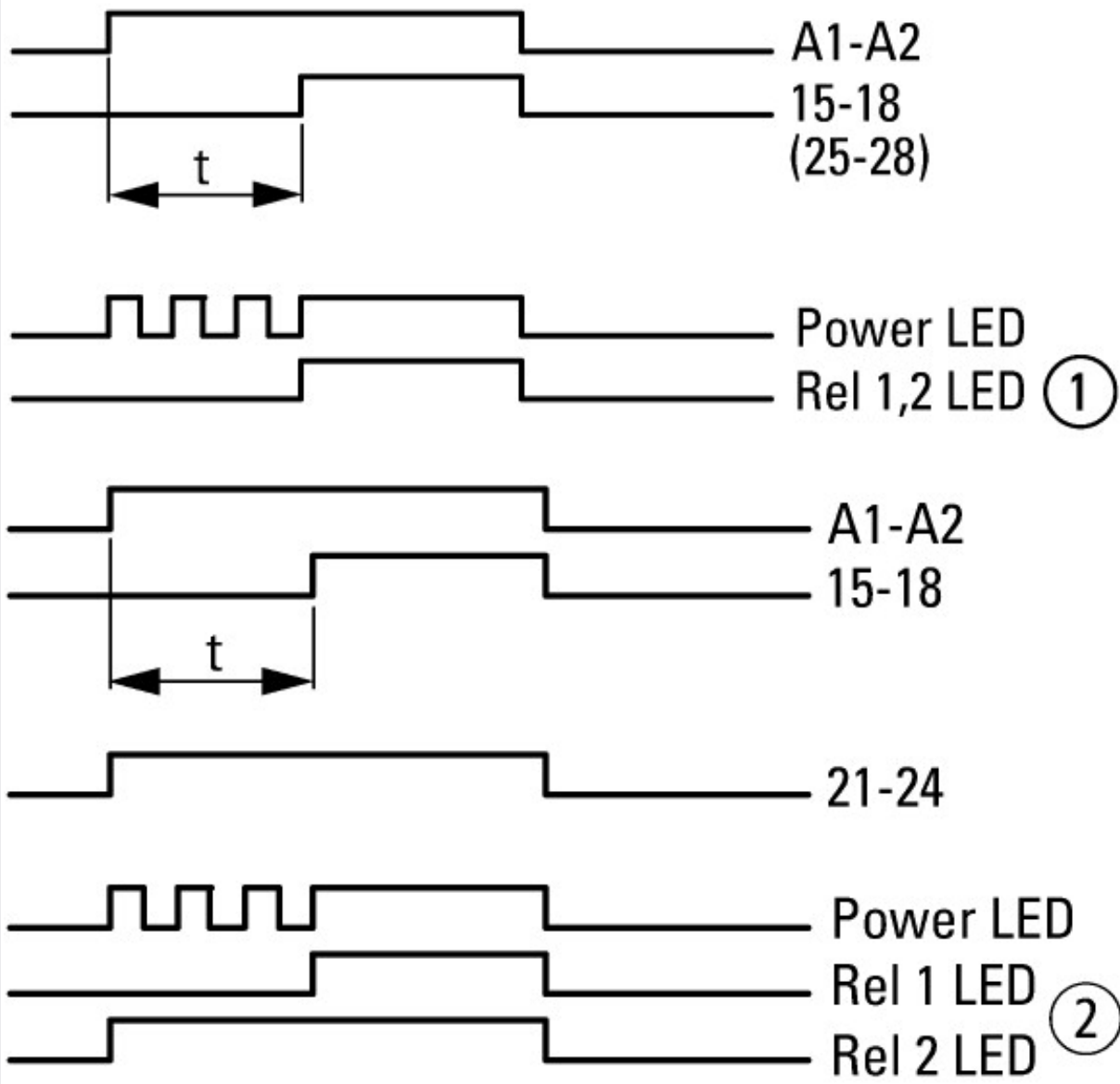
Time not running, contact 15 – 18 closed

Time running, contact 15 – 18 closed

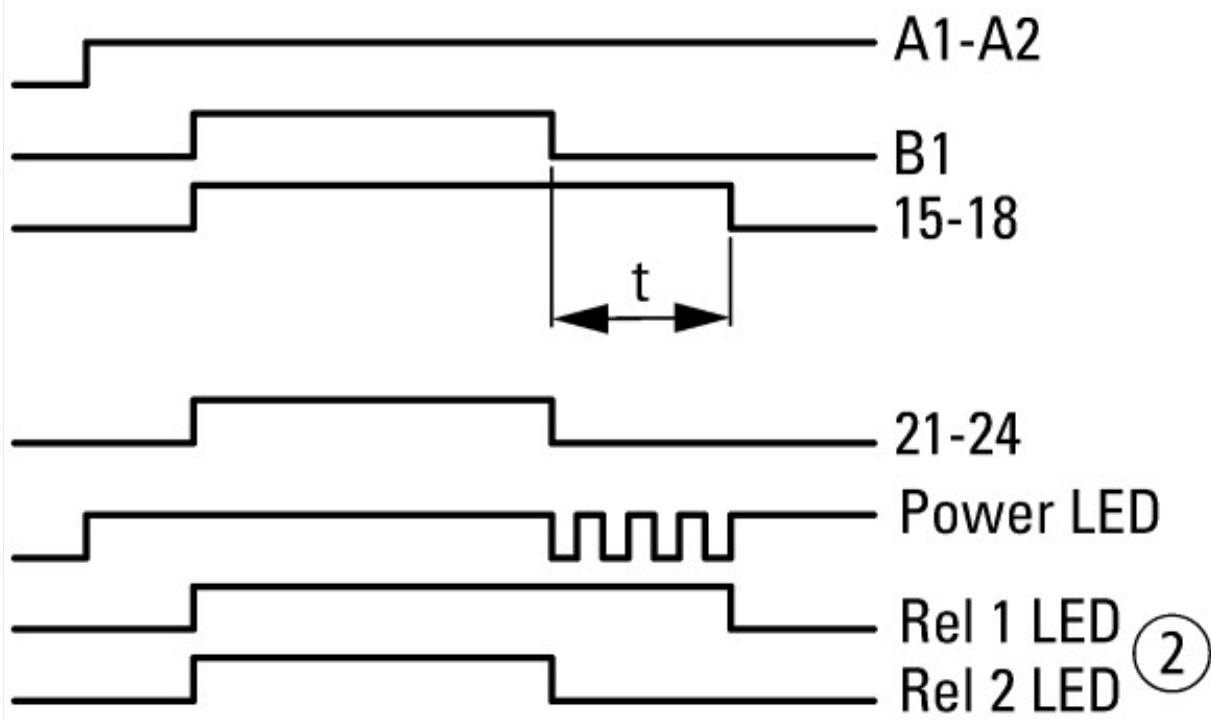
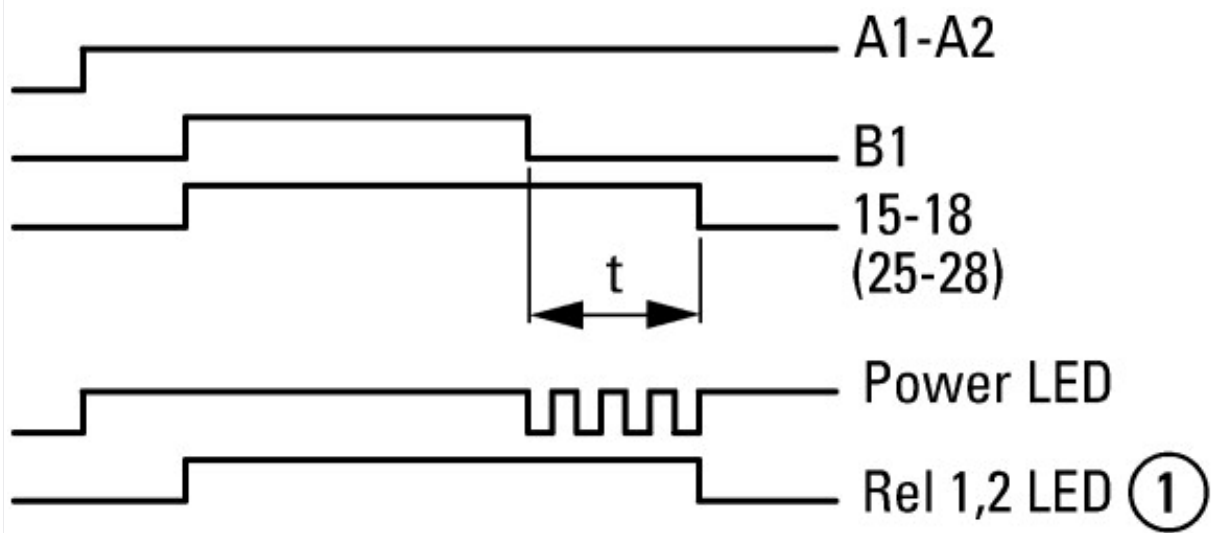
Time running, contact 15 – 18 not closed

- ① A2/A1 linked
- ② A2/A1 not linked

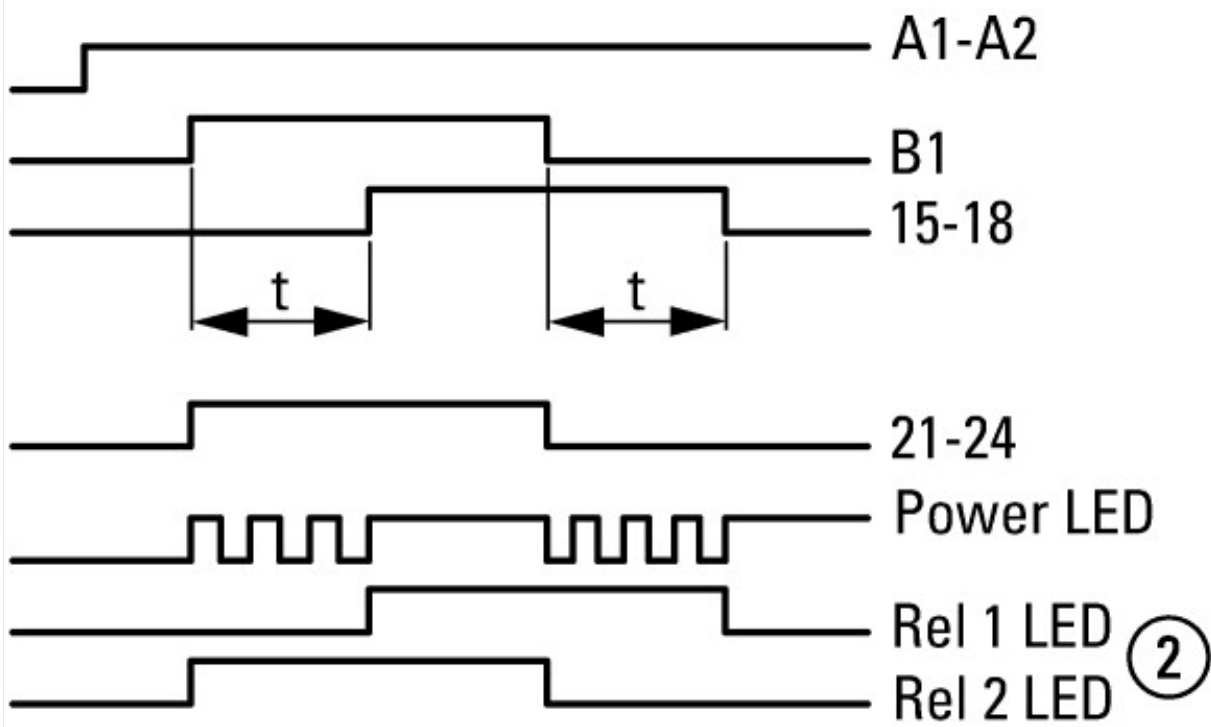
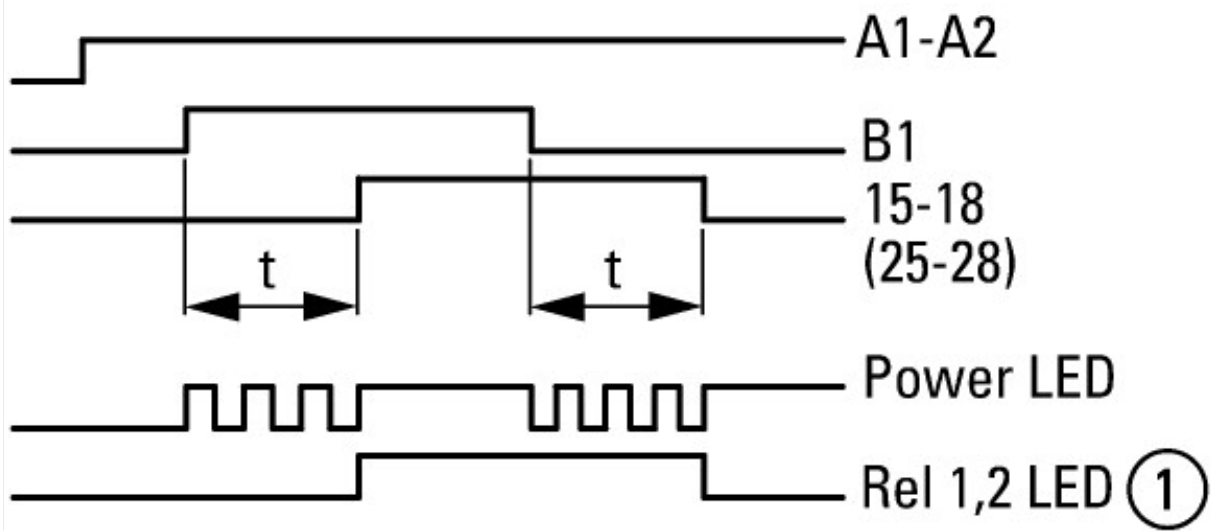
11 On-delayed



12 Off-delayed

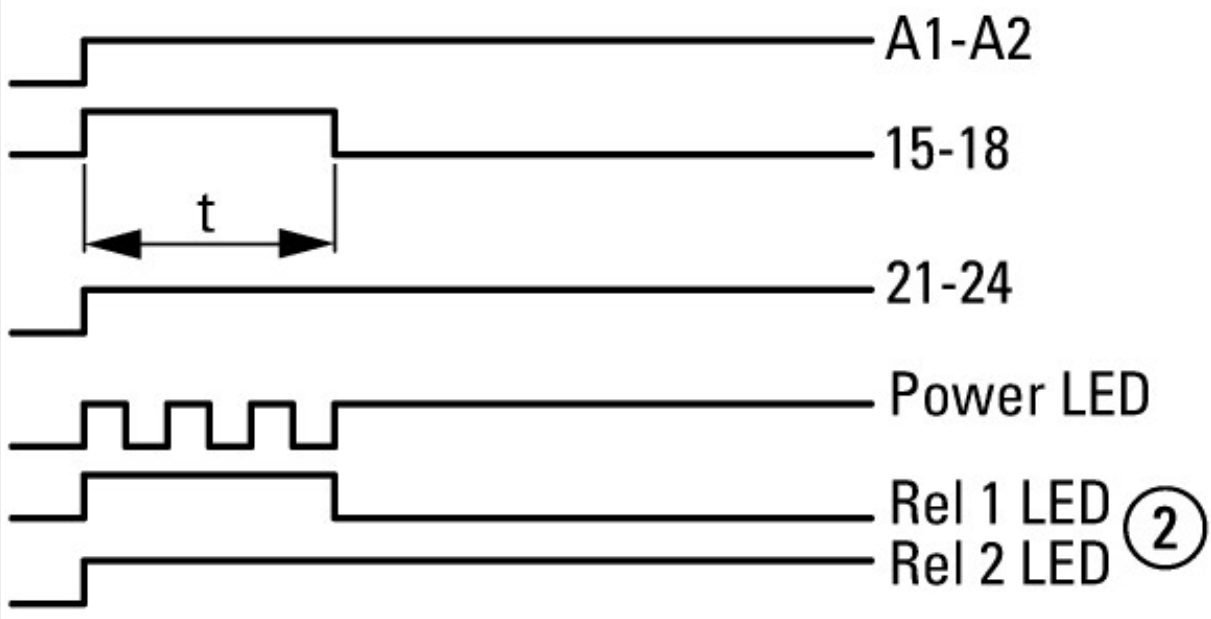
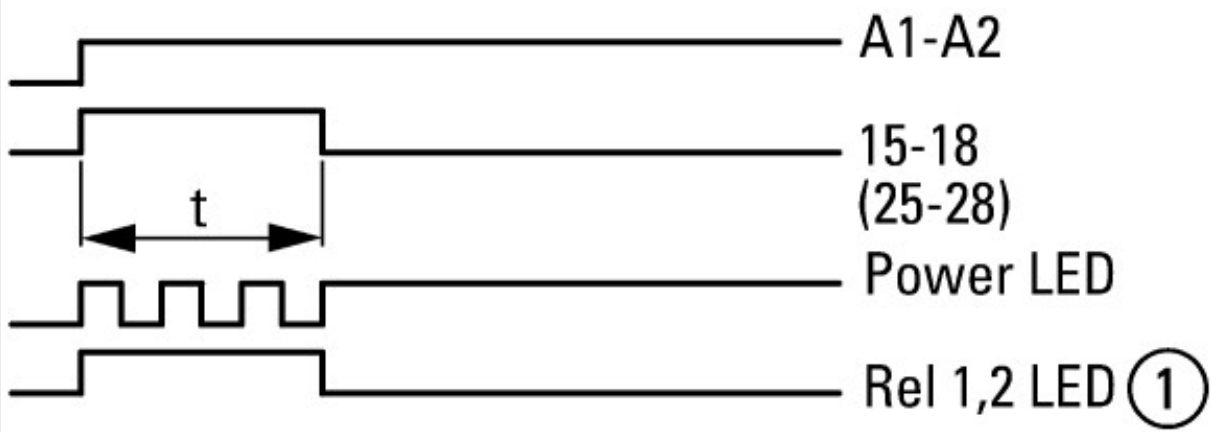


16 On- and Off-delayed

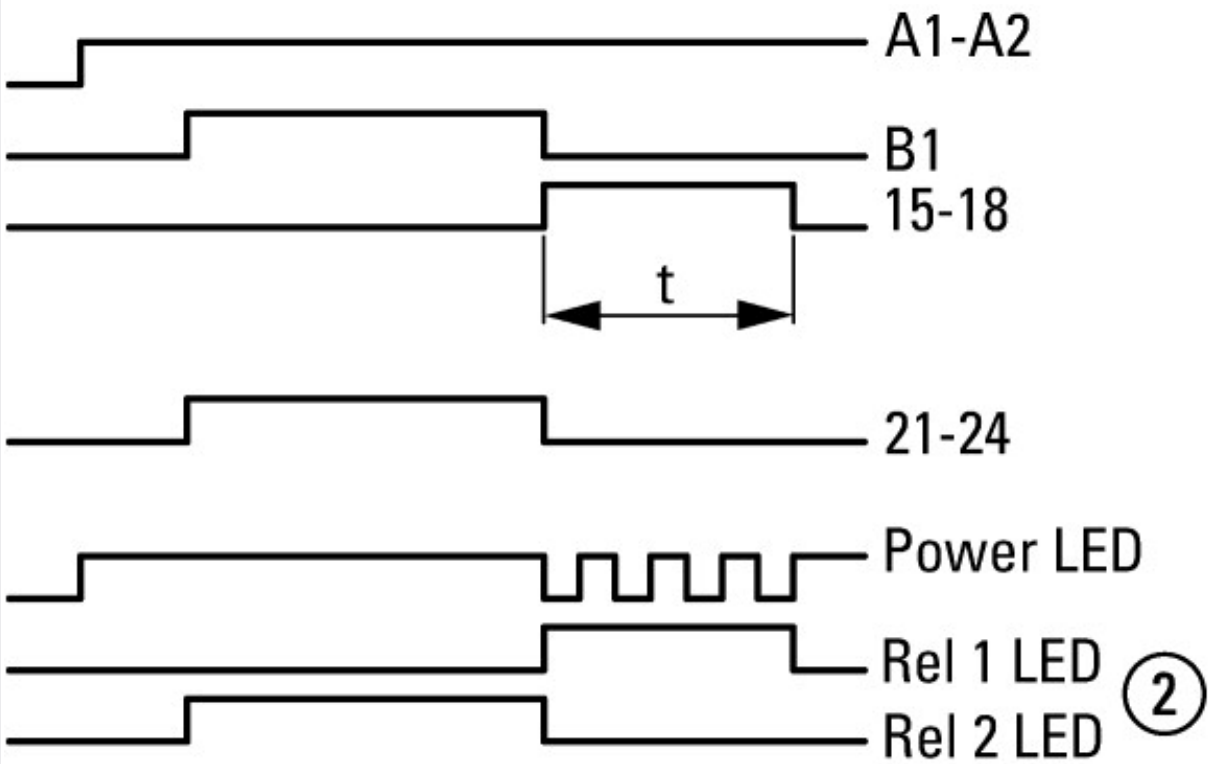
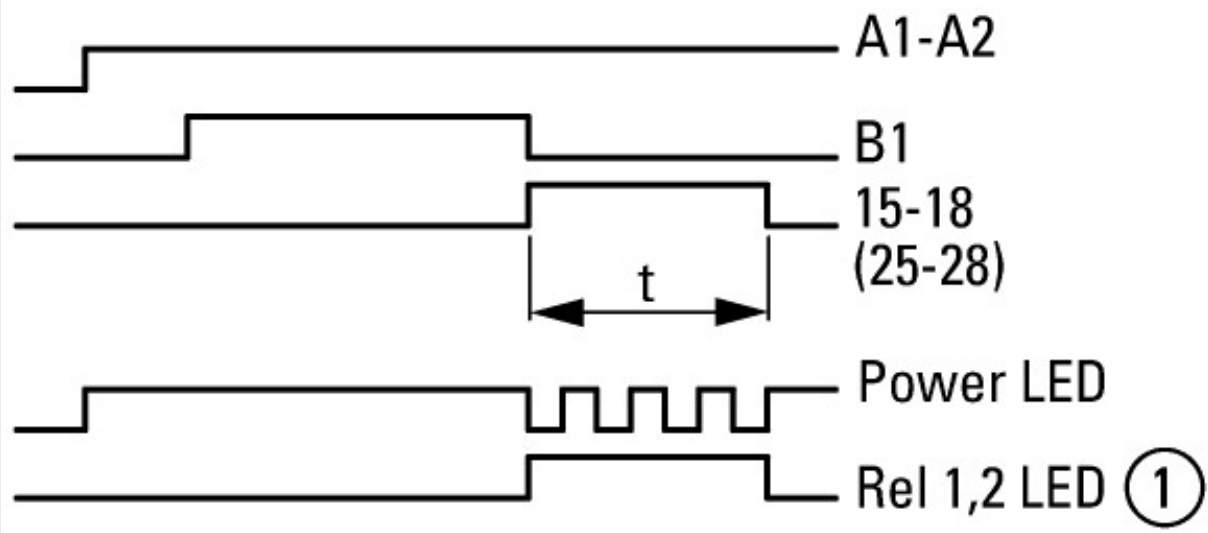


21 Fleeting contact on energization

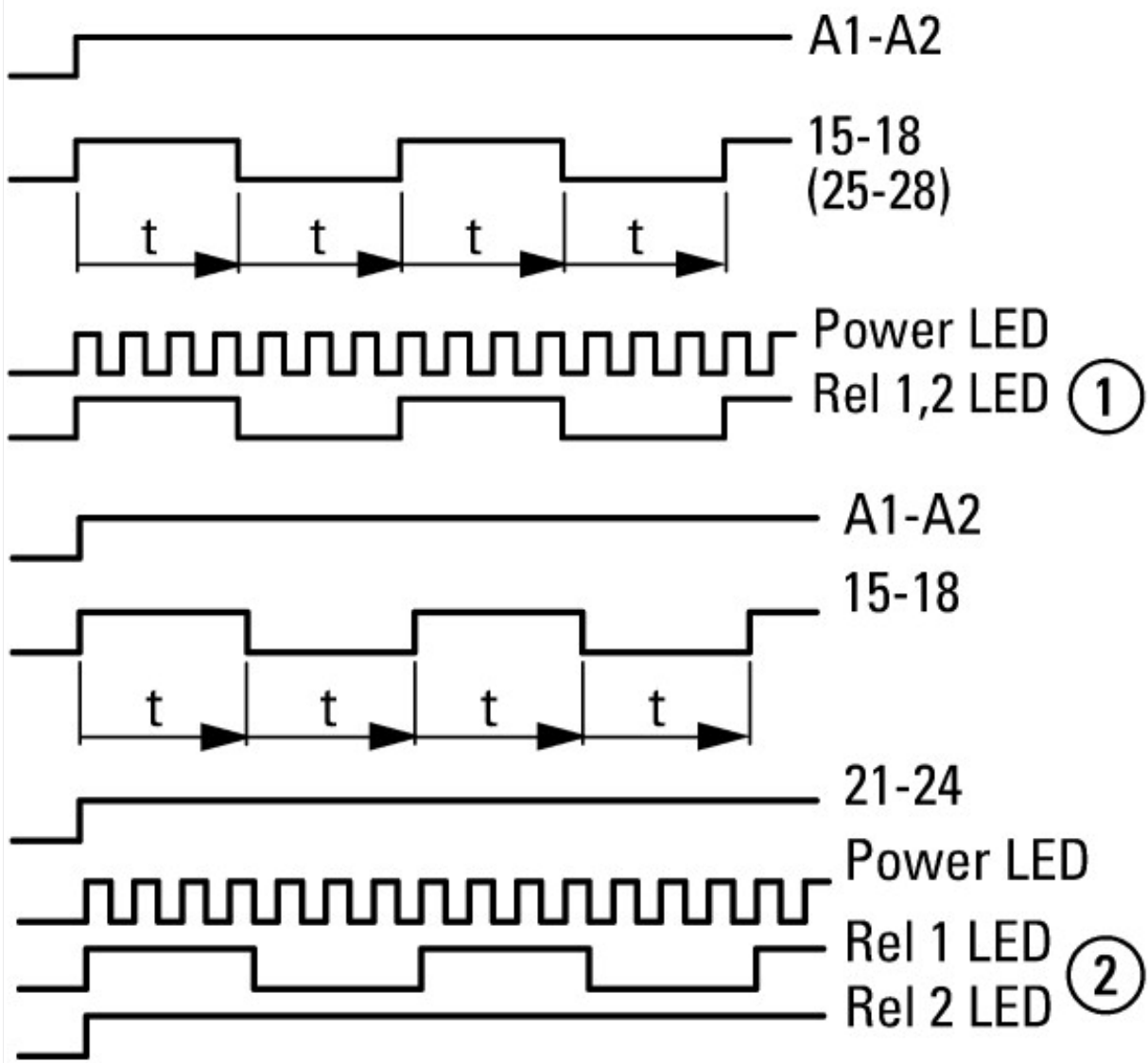




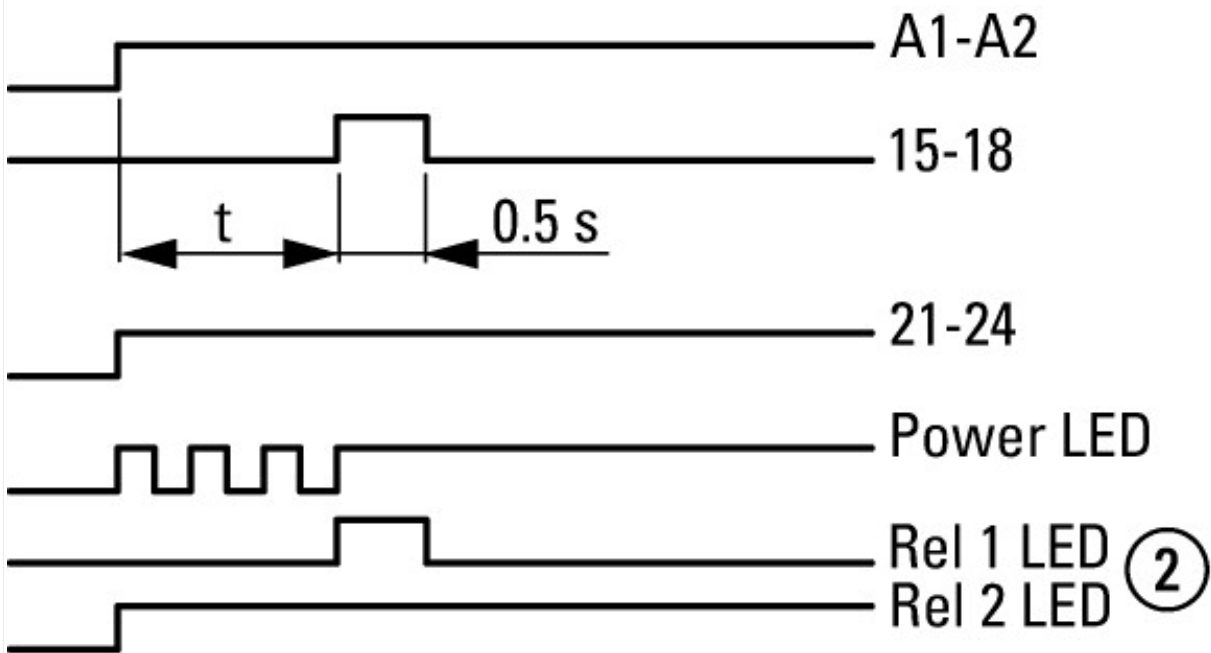
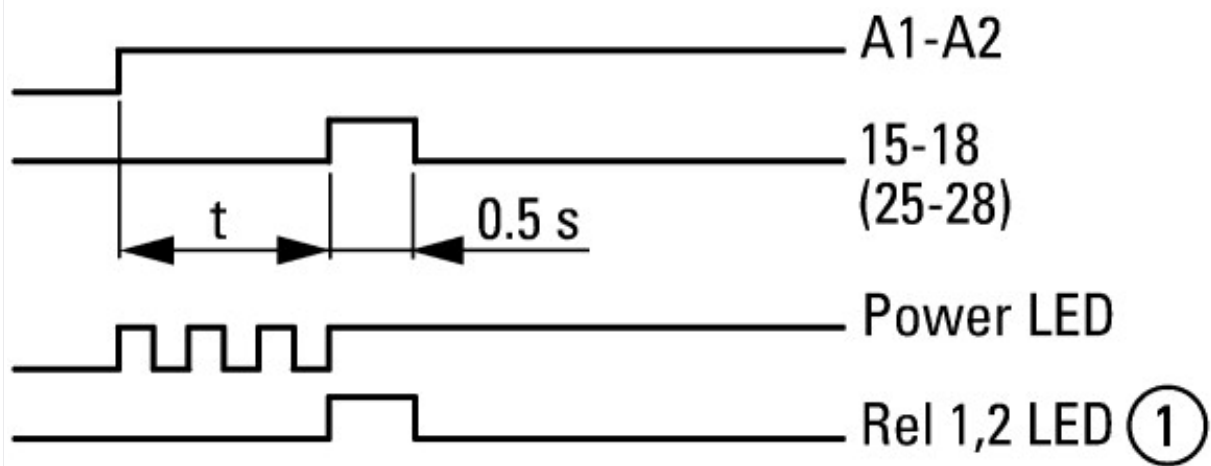
22 Fleeting contact on de-energization



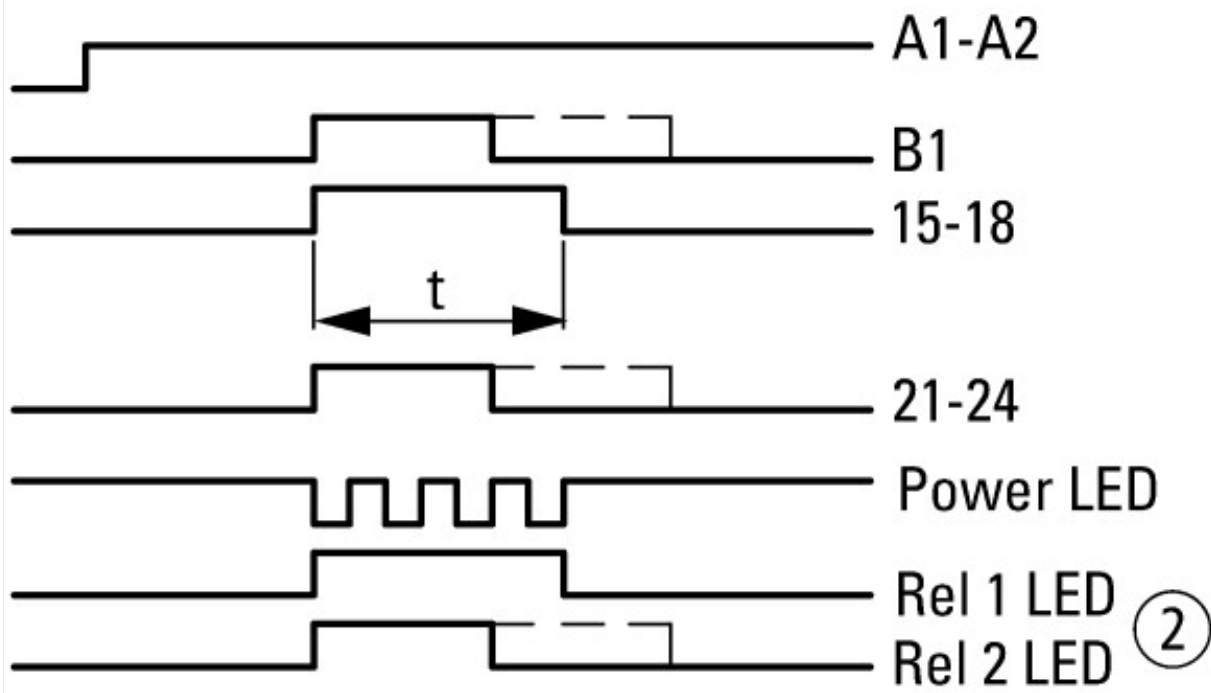
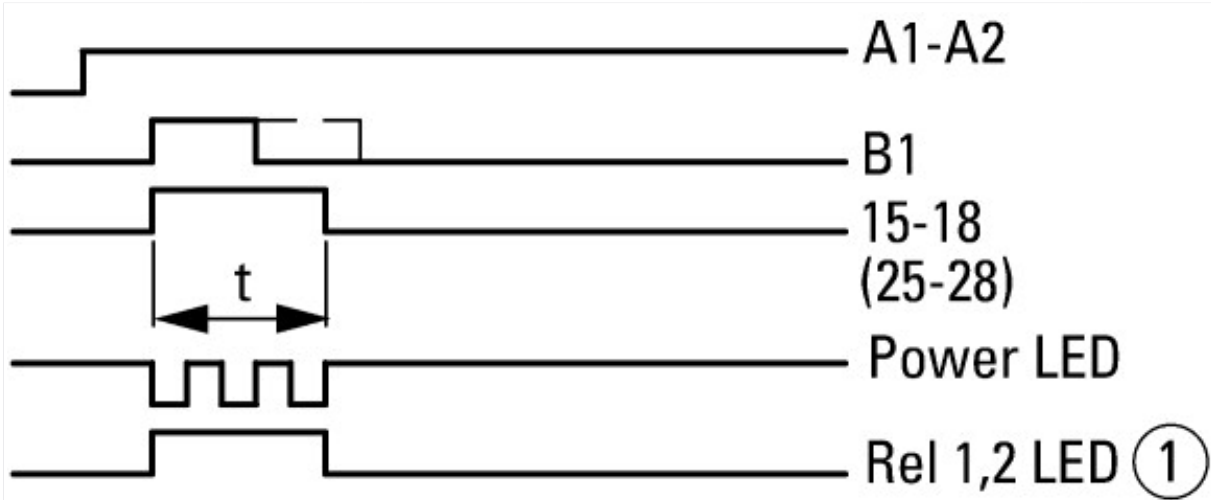
42 flashing



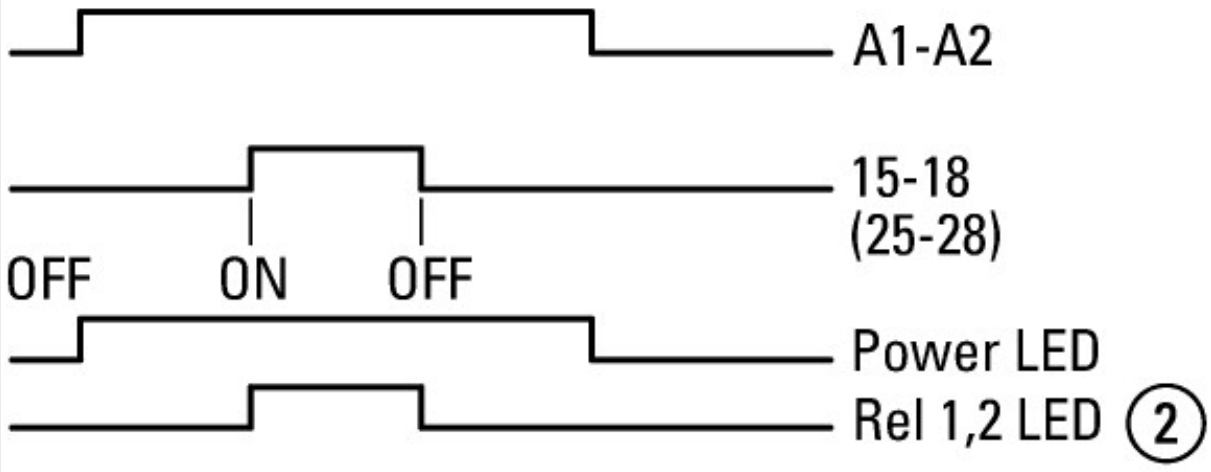
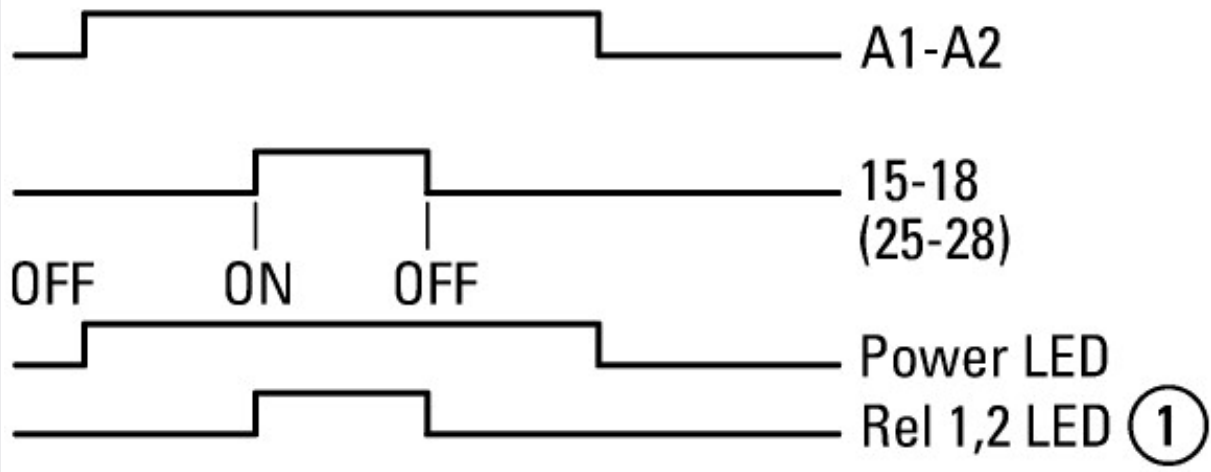
81 Pulse generating



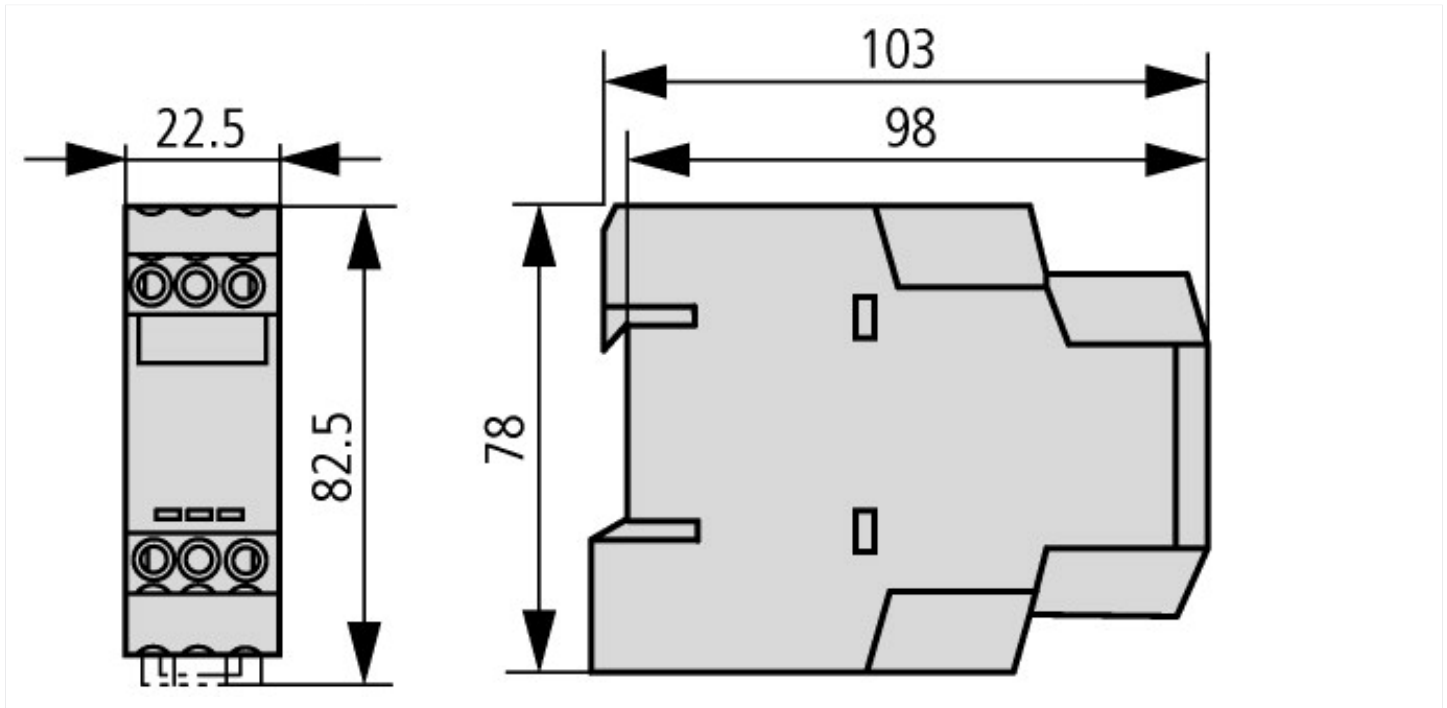
82 Pulse shaping

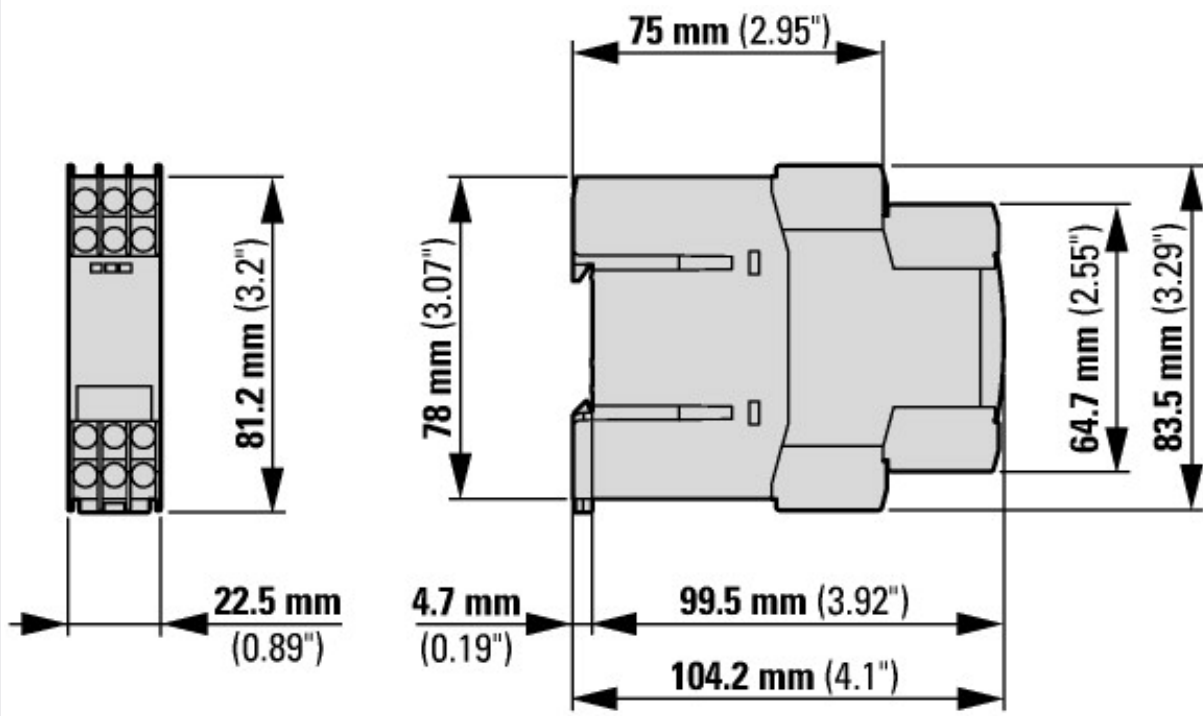


On-Off function



**Dimensions**





Applies to release 001 and higher