






**Contact element, Screw terminals, Front fixing, 1 NC, 24 V 3 A, 220 V 230 V 240 V 6 A**

**Part no. M22-K01**  
**Catalog No. 216378**  
**Alternate Catalog No. M22-K01Q**  
**EL-Nummer 4355364**  
**(Norway)**

### Delivery program

Product range		Accessories
Basic function accessories		Contact elements
Accessories		Auxiliary contact
Accessories		Standard auxiliary contact, trip-indicating auxiliary switch
Standard/Approval		UL/CSA, IEC
Construction size		NZM1/2/3/4
Connection technique		Screw terminals
Fixing		Front fixing
Degree of Protection		IP20
Connection to SmartWire-DT		no
For use with		NZM1(-4), 2(-4), 3(-4), 4(-4) PN1(-4), 2(-4), 3(-4) N(S)1(-4), 2(-4), 3(-4), 4(-4)
Approval		
<b>Contacts</b>		
N/C = Normally closed		1 NC 
Notes		 = safety function, by positive opening to IEC/EN 60947-5-1
<b>Actuator travel and actuation force as per DIN EN 60947-5-1, K.5.4.1</b>		
	mm	4.8
Maximum travel	mm	5.7
Minimum force for positive opening	N	15

Contact sequence

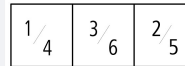


### Contact travel diagram, stroke in connection with front element

Contact diagram



Configuration



Connection type

Single contact

Description of HIA trip-indicating auxiliary contact

General trip indication '+', when tripped by shunt release, overload release, short-circuit release or by the residual-current release due to residual-current.  
Can be used with NZM1, 2, 3 circuit-breaker: a trip-indicating auxiliary contact can be clipped into the circuit-breaker.  
Can be used with NZM4 circuit-breaker: up to two standard auxiliary contacts can be clipped into the circuit-breaker.  
Any combinations of the auxiliary contact types are possible.  
Not in combination with switch-disconnector PN...  
Marking on switch: HIA  
Labeling in FI-Block: HIAFI.  
If the trip-indicating auxiliary switch in the fault current block is used, the NC contacts operates as a N/O contact and the NC contact operates as an N/O contact.

Description standard auxiliary contact HIN

Switching with the main contacts Used for indicating and interlocking tasks.  
Can be used with NZM1 circuit-breaker: a standard auxiliary contact can be clipped into the circuit-breaker.  
Can be used with NZM2 size circuit-breaker: a standard auxiliary contact can be clipped into the circuit-breaker.  
Can be used with NZM3, 4 circuit-breaker: up to three standard auxiliary contacts can be clipped into the circuit-breaker.  
Any combinations of the auxiliary contact types are possible.  
Marking on switch: HIN.  
On combination with remote operator NZM-XR... the right mounting location of standard auxiliary contact HIN can be fitted only with individual contacts.

Connection technique

Screw terminals

#### Notes

The following can be clipped into the switches:

- NZM1: a standard auxiliary contact
- NZM2: up to two M22-(C)K... standard auxiliary contacts
- NZM3: up to three M22-(C)K... standard auxiliary contacts
- NZM4: up to three M22-(C)K... standard auxiliary contacts

Any combinations of the auxiliary contact types are possible.

Marking on switch: HIN

In combination with remote operator NZM-XR... only single contacts can be fitted to some installation locations of the standard auxiliary contact.

NZM2: Only single contact can be fitted in left installation location of standard auxiliary contact.

NZM3: Only single contact can be fitted in installation locations of standard auxiliary contact.

## Technical data

### General

Standards			IEC 60947-5-1
Lifespan, mechanical	Operations	$\times 10^6$	> 5
Operating frequency	Operations/h		$\leq 3600$
Actuating force	n		$\leq 5$
Operating torque (screw terminals)	Nm		$\leq 0.8$
Degree of Protection			IP20
Climatic proofing			Damp heat, constant, to IEC 60068-2-78 Damp heat, cyclic, to IEC 60068-2-30
Ambient temperature			
Open	°C		-25 - +70
Mechanical shock resistance to IEC 60068-2-27 Shock duration 11 ms, half-sinusoidal	g		> 30
Terminal capacities		mm <sup>2</sup>	
Solid		mm <sup>2</sup>	0.75 - 2.5
Stranded		mm <sup>2</sup>	0.5 - 2.5
Flexible with ferrule		mm <sup>2</sup>	0.5 - 1.5

### Contacts

Rated impulse withstand voltage	$U_{imp}$	V AC	6000
Rated insulation voltage	$U_i$	V	500
Overvoltage category/pollution degree			III/3
Control circuit reliability			
at 24 V DC/5 mA	$H_F$	Fault probability	$< 10^{-7}$ (i.e. 1 failure to $10^7$ operations)
at 5 V DC/1 mA	$H_F$	Fault probability	$< 5 \times 10^{-6}$ (i.e. 1 failure in $5 \times 10^6$ operations)
Max. short-circuit protective device			
Fuseless		Type	PKZM0-10/FAZ-B6/1
Fuse	gG/gL	A	10

### Switching capacity

Rated operational current	$I_e$	A	
AC-15			
115 V	$I_e$	A	6
220 V 230 V 240 V	$I_e$	A	6
380 V 400 V 415 V	$I_e$	A	4
500 V	$I_e$	A	2
DC-13			
24 V	$I_e$	A	3
42 V	$I_e$	A	1.7
60 V	$I_e$	A	1.2
110 V	$I_e$	A	0.6
220 V	$I_e$	A	0.3
Lifespan, electrical			
AC-15			
230 V/0.5 A	Operations	$\times 10^6$	1.6
230 V/1.0 A	Operations	$\times 10^6$	1
230 V/3.0 A	Operations	$\times 10^6$	0.7
DV-13			
12 V/2.8 A	Operations	$\times 10^6$	1.2

### Auxiliary contacts

Rated operational voltage	$U_e$	V	
Rated operational voltage	$U_e$	V AC	500

Rated operational voltage, max.	U <sub>e</sub>	V DC	220																																																																								
Conventional thermal current	I <sub>th</sub> = I <sub>e</sub>	CSA	4																																																																								
Rated operational current	I <sub>e</sub>	A																																																																									
<b>Different rated operational currents</b> when used as auxiliary contact for NZM circuit-breaker			<table border="1"> <thead> <tr> <th></th> <th></th> <th></th> <th>M22- (C)K10(01)</th> <th>M22- CK11(02) (20)</th> <th>XHIV</th> </tr> </thead> <tbody> <tr> <td></td> <td>bei AC = 50/60 Hz</td> <td></td> <td></td> <td></td> <td></td> </tr> <tr> <td>Bemessungs- betriebsstrom</td> <td></td> <td></td> <td></td> <td></td> <td></td> </tr> <tr> <td>AC-15 15 V</td> <td>I<sub>e</sub></td> <td>A</td> <td>4</td> <td>4</td> <td>4</td> </tr> <tr> <td>230 V</td> <td>I<sub>e</sub></td> <td>A</td> <td>4</td> <td>4</td> <td>4</td> </tr> <tr> <td>400 V</td> <td>I<sub>e</sub></td> <td>A</td> <td>2</td> <td>-</td> <td>2</td> </tr> <tr> <td>500 V</td> <td>I<sub>e</sub></td> <td>A</td> <td>1</td> <td>-</td> <td>1</td> </tr> <tr> <td>DC-14 14 V</td> <td>I<sub>e</sub></td> <td>A</td> <td>3</td> <td>3</td> <td>3</td> </tr> <tr> <td>42 V</td> <td>I<sub>e</sub></td> <td>A</td> <td>1.7</td> <td>1</td> <td>1.5</td> </tr> <tr> <td>60 V</td> <td>I<sub>e</sub></td> <td>A</td> <td>1.2</td> <td>0.8</td> <td>0.8</td> </tr> <tr> <td>110 V</td> <td>I<sub>e</sub></td> <td>A</td> <td>0.6</td> <td>0.5</td> <td>0.5</td> </tr> <tr> <td>220 V</td> <td>I<sub>e</sub></td> <td>A</td> <td>0.3</td> <td>0.2</td> <td>0.2</td> </tr> </tbody> </table>				M22- (C)K10(01)	M22- CK11(02) (20)	XHIV		bei AC = 50/60 Hz					Bemessungs- betriebsstrom						AC-15 15 V	I <sub>e</sub>	A	4	4	4	230 V	I <sub>e</sub>	A	4	4	4	400 V	I <sub>e</sub>	A	2	-	2	500 V	I <sub>e</sub>	A	1	-	1	DC-14 14 V	I <sub>e</sub>	A	3	3	3	42 V	I <sub>e</sub>	A	1.7	1	1.5	60 V	I <sub>e</sub>	A	1.2	0.8	0.8	110 V	I <sub>e</sub>	A	0.6	0.5	0.5	220 V	I <sub>e</sub>	A	0.3	0.2	0.2
			M22- (C)K10(01)	M22- CK11(02) (20)	XHIV																																																																						
	bei AC = 50/60 Hz																																																																										
Bemessungs- betriebsstrom																																																																											
AC-15 15 V	I <sub>e</sub>	A	4	4	4																																																																						
230 V	I <sub>e</sub>	A	4	4	4																																																																						
400 V	I <sub>e</sub>	A	2	-	2																																																																						
500 V	I <sub>e</sub>	A	1	-	1																																																																						
DC-14 14 V	I <sub>e</sub>	A	3	3	3																																																																						
42 V	I <sub>e</sub>	A	1.7	1	1.5																																																																						
60 V	I <sub>e</sub>	A	1.2	0.8	0.8																																																																						
110 V	I <sub>e</sub>	A	0.6	0.5	0.5																																																																						
220 V	I <sub>e</sub>	A	0.3	0.2	0.2																																																																						
Rated conditional short-circuit current	I <sub>q</sub>	kA	1																																																																								
Short-circuit protection																																																																											
max. fuse		A gG/gL	10																																																																								
Max. miniature circuit-breaker		A	FAZ-B6/B1																																																																								
Operating times																																																																											
			<p>Early-make time of the HIV compared to the main contacts during with make and break switching.</p> <p>(switch times with manual operation):</p> <p>NZM1, PN1, N(S)1: ca. 20 ms</p> <p>NZM2, PN2, N(S)2: ca. 20 ms</p> <p>NZM3, PN3, N(S)3: ca. 20 ms</p> <p>NZM4, N(S)4: approx. 90 ms, the HIV switch early <b>Offswitching not</b> forward.</p>																																																																								
Terminal capacities		mm <sup>2</sup>																																																																									
Solid or flexible conductor, with ferrule		mm <sup>2</sup>	1 x (0,75 - 2,5) 2 x (0,75 - 2,5)																																																																								
UL/CSA																																																																											
Rated operational current	I <sub>e</sub>	A	5 A – 600 V AC 1 A - 250 V DC																																																																								
Other technical data (sheet catalogue)			Maximum equipment and position of the internal accessories																																																																								

## Design verification as per IEC/EN 61439

Technical data for design verification			
Rated operational current for specified heat dissipation	I <sub>n</sub>	A	6
Heat dissipation per pole, current-dependent	P <sub>vid</sub>	W	0.11
Equipment heat dissipation, current-dependent	P <sub>vid</sub>	W	0
Static heat dissipation, non-current-dependent	P <sub>vs</sub>	W	0
Heat dissipation capacity	P <sub>diss</sub>	W	0
Operating ambient temperature min.		°C	-25
Operating ambient temperature max.		°C	70
IEC/EN 61439 design verification			
10.2 Strength of materials and parts			
10.2.2 Corrosion resistance			
			Meets the product standard's requirements.
10.2.3.1 Verification of thermal stability of enclosures			
			Meets the product standard's requirements.
10.2.3.2 Verification of resistance of insulating materials to normal heat			
			Meets the product standard's requirements.
10.2.3.3 Verification of resistance of insulating materials to abnormal heat and fire due to internal electric effects			
			Meets the product standard's requirements.
10.2.4 Resistance to ultra-violet (UV) radiation			
			Meets the product standard's requirements.
10.2.5 Lifting			
			Does not apply, since the entire switchgear needs to be evaluated.
10.2.6 Mechanical impact			
			Does not apply, since the entire switchgear needs to be evaluated.

10.2.7 Inscriptions		Meets the product standard's requirements.
10.3 Degree of protection of ASSEMBLIES		Does not apply, since the entire switchgear needs to be evaluated.
10.4 Clearances and creepage distances		Meets the product standard's requirements.
10.5 Protection against electric shock		Does not apply, since the entire switchgear needs to be evaluated.
10.6 Incorporation of switching devices and components		Does not apply, since the entire switchgear needs to be evaluated.
10.7 Internal electrical circuits and connections		Is the panel builder's responsibility.
10.8 Connections for external conductors		Is the panel builder's responsibility.
10.9 Insulation properties		
10.9.2 Power-frequency electric strength		Is the panel builder's responsibility.
10.9.3 Impulse withstand voltage		Is the panel builder's responsibility.
10.9.4 Testing of enclosures made of insulating material		Is the panel builder's responsibility.
10.10 Temperature rise		The panel builder is responsible for the temperature rise calculation. Eaton will provide heat dissipation data for the devices.
10.11 Short-circuit rating		Is the panel builder's responsibility. The specifications for the switchgear must be observed.
10.12 Electromagnetic compatibility		Is the panel builder's responsibility. The specifications for the switchgear must be observed.
10.13 Mechanical function		The device meets the requirements, provided the information in the instruction leaflet (IL) is observed.

## Technical data ETIM 7.0

Low-voltage industrial components (EG000017) / Auxiliary contact block (EC000041)

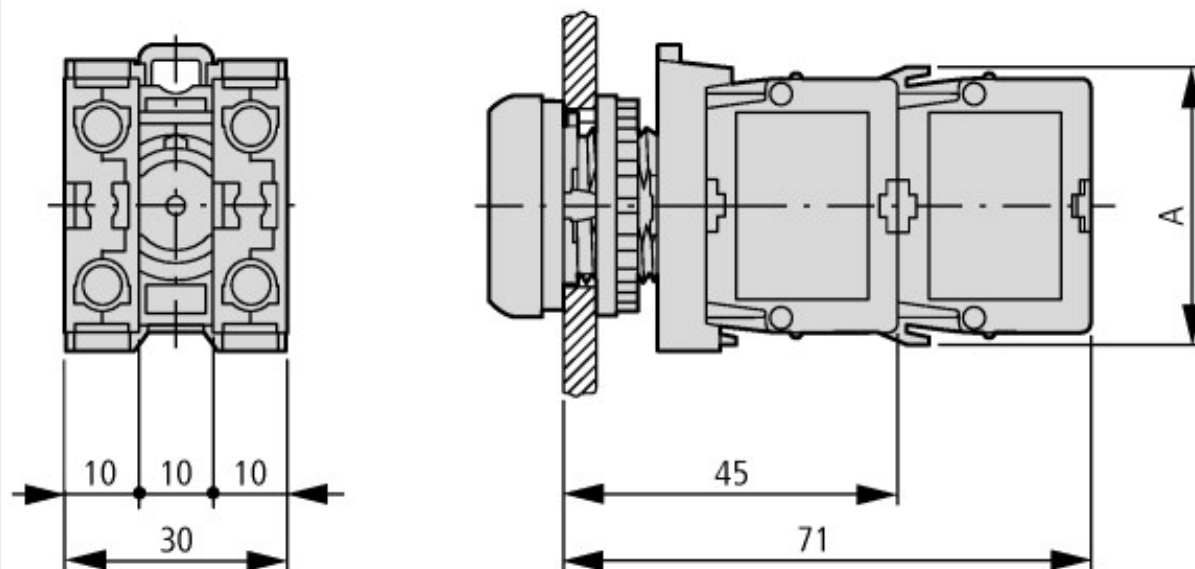
Electric engineering, automation, process control engineering / Low-voltage switch technology / Component for low-voltage switching technology / Auxiliary switch block (ecl@ss10.0.1-27-37-13-02 [AKN342013])

Number of contacts as change-over contact		0
Number of contacts as normally open contact		0
Number of contacts as normally closed contact		1
Number of fault-signal switches		0
Rated operation current I <sub>e</sub> at AC-15, 230 V	A	6
Type of electric connection		Screw connection
Model		Top mounting and integrable
Mounting method		Front fastening
Lamp holder		None

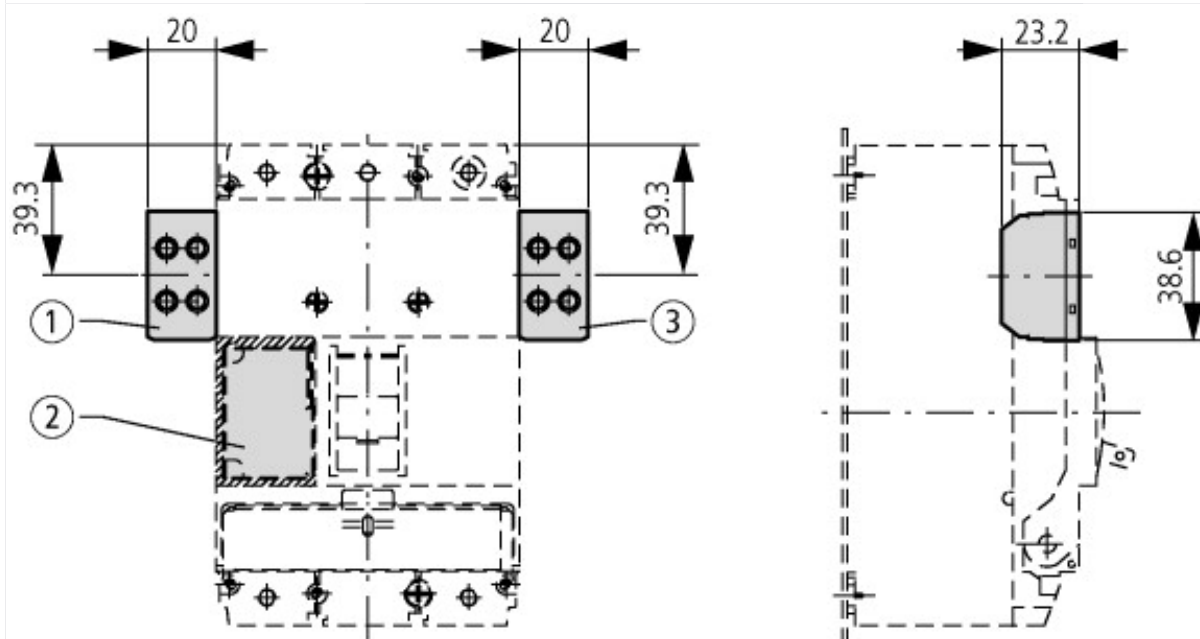
## Approvals

Product Standards		IEC/EN 60947-5; UL 508; CSA-C22.2 No. 14-05; CSA-C22.2 No. 94-91; CE marking
UL File No.		E29184
UL Category Control No.		NKCR
CSA File No.		012528
CSA Class No.		3211-03
North America Certification		UL listed, CSA certified
Degree of Protection		UL/CSA Type: -

## Dimensions



A = 37.2



Pushbutton with M22-(C)K...  
Pushbutton with M22-(C) LED... + M22-XLED...

## Additional product information (links)

DGUV Test Mark Customer Information

[http://www.dguv.de/medien/dguv-test-medien/\\_pdf\\_zip\\_doc\\_ppt/agb-und-pzo/dguv\\_test\\_zeichen\\_infoblatt\\_kunden.pdf](http://www.dguv.de/medien/dguv-test-medien/_pdf_zip_doc_ppt/agb-und-pzo/dguv_test_zeichen_infoblatt_kunden.pdf)

Maximum equipment and position of the internal accessories

<http://ecat.moeller.net/flip-cat/?edition=HPLEN&startpage=17.178>